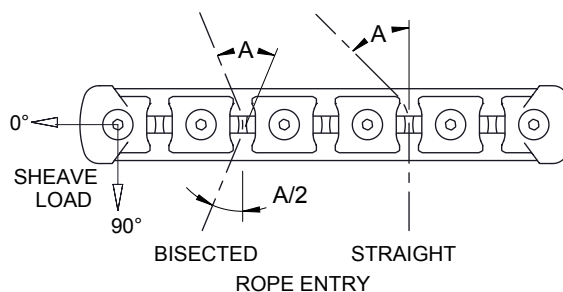


**MAXIMUM SHEAVE LOADS:**

LONGITUDINAL (0°)	1500kg
TRANSVERSE (90°)	1050kg
COMBINED	1500kg

**MAX ROPE TENSION (kg)**

DEFLECTION ANGLE 'A' (°)	BISECTED ENTRY	STRAIGHT ENTRY
15	9580	9410
30	4830	4510
45	3270	2820
60	2500	1960
90	1770	1240



**SHEAVE SPACING:**

STANDARD SHEAVE SPACING SHOWN.  
CUSTOM SPACING AVAILABLE IN 1.0MM INCREMENTS.

**WEIGHT:**

319g (INCLUDING FULL LENGTH STAINLESS STEEL DECK FIXINGS)  
TITANIUM OPTION AVAILABLE (215g) - CONTACT SPINLOCK FOR MORE INFORMATION.

**INSTALLATION:**

MOUNTING SURFACE MUST BE SUFFICIENTLY STRONG AND STIFF TO WITHSTAND COMPRESSIVE AND SHEAR FORCES EXERTED BY SHEAVE LOADING

**spinlock**  
BE ADVENTURE-PROOF



**WARNING:**  
IF USING AS TEMPLATE, ENSURE PRINTER SETTINGS ARE ADJUSTED TO ACCOUNT FOR THE DRAWING SCALE AND **ALWAYS** CHECK DIMENSIONS.



**COPYRIGHT:**  
THIS DRAWING IS PROTECTED BY COPYRIGHT. ANY USE IS FORBIDDEN WITHOUT THE WRITTEN CONSENT OF SPINLOCK.

ALL DIMENSIONS IN MM

SCALE

1:2

PAGE SIZE  
(297 x 210)

A4

DATE:

OCT17

LINE SIZE:

Ø13 MAX

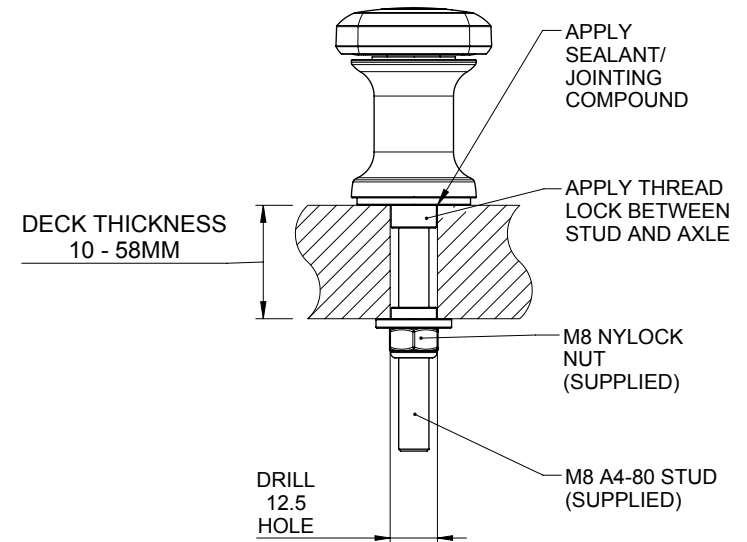
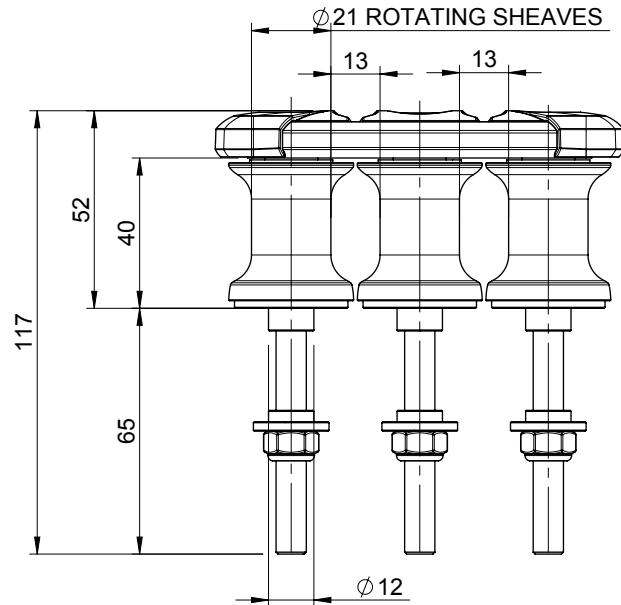
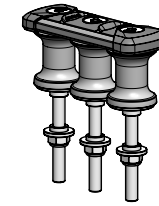
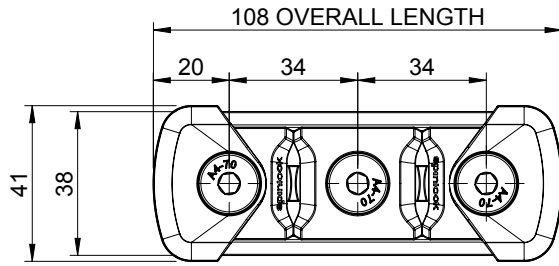
FASTENERS:

2 x M8

MAX LOAD:

SEE TABLE

**TSR20/2**

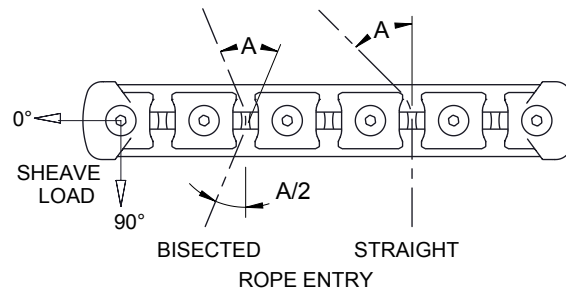


**MAXIMUM SHEAVE LOADS:**

LONGITUDINAL (0°)	1500kg
TRANSVERSE (90°)	1050kg
COMBINED	2250kg

**MAX ROPE TENSION (kg)**

DEFLECTION ANGLE 'A' (°)	BISECTED ENTRY	STRAIGHT ENTRY
15	5750	5650
30	2900	2710
45	1960	1690
60	1500	1180
90	1060	740



**SHEAVE SPACING:**

STANDARD SHEAVE SPACING SHOWN.  
CUSTOM SPACING AVAILABLE IN 1.0MM INCREMENTS.

**WEIGHT:**

478g (INCLUDING FULL LENGTH STAINLESS STEEL DECK FIXINGS)  
TITANIUM OPTION AVAILABLE (322g) - CONTACT SPINLOCK FOR MORE INFORMATION.

**INSTALLATION:**

MOUNTING SURFACE MUST BE SUFFICIENTLY STRONG AND STIFF TO WITHSTAND COMPRESSIVE AND SHEAR FORCES EXERTED BY SHEAVE LOADING

**spinlock**  
BE ADVENTURE-PROOF



**WARNING:**  
IF USING AS TEMPLATE, ENSURE PRINTER SETTINGS ARE ADJUSTED TO ACCOUNT FOR THE DRAWING SCALE AND **ALWAYS** CHECK DIMENSIONS.



**COPYRIGHT:**  
THIS DRAWING IS PROTECTED BY COPYRIGHT. ANY USE IS FORBIDDEN WITHOUT THE WRITTEN CONSENT OF SPINLOCK.

ALL DIMENSIONS IN MM

SCALE

1:2

PAGE SIZE  
(297 x 210)

A4

DATE:

OCT17

LINE SIZE:

Ø15 MAX

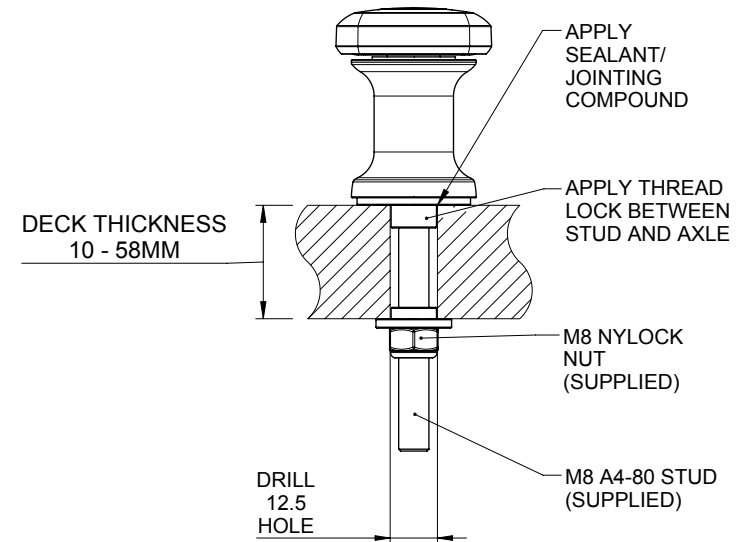
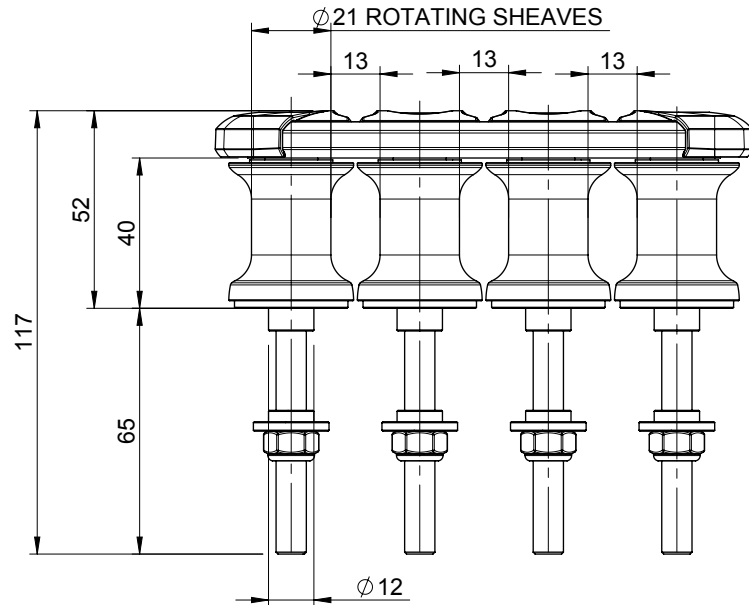
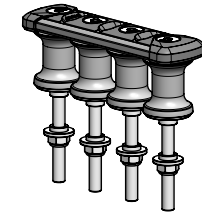
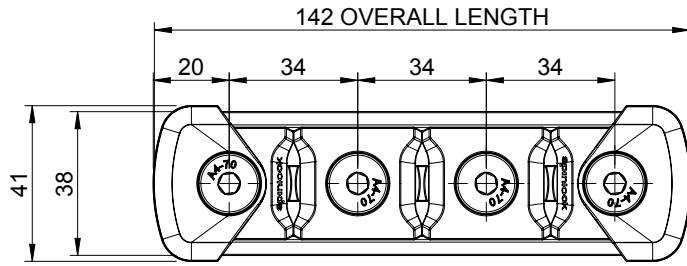
FASTENERS:

3 x M8

MAX LOAD:

SEE TABLE

**TSR20/3**

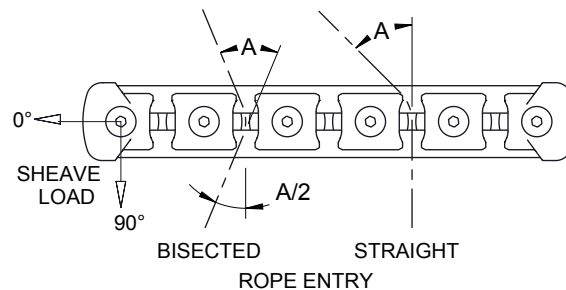


**MAXIMUM SHEAVE LOADS:**

LONGITUDINAL (0°)	1500kg
TRANSVERSE (90°)	1050kg
COMBINED	3000kg

**MAX ROPE TENSION (kg)**

DEFLECTION ANGLE 'A' (°)	BISECTED ENTRY	STRAIGHT ENTRY
15	5750	5650
30	2900	2710
45	1960	1690
60	1500	1180
90	1060	740



**SHEAVE SPACING:**

STANDARD SHEAVE SPACING SHOWN.  
CUSTOM SPACING AVAILABLE IN 1.0MM INCREMENTS.

**WEIGHT:**

637g (INCLUDING FULL LENGTH STAINLESS STEEL DECK FIXINGS)  
TITANIUM OPTION AVAILABLE (429g) - CONTACT SPINLOCK FOR MORE INFORMATION.

**INSTALLATION:**

MOUNTING SURFACE MUST BE SUFFICIENTLY STRONG AND STIFF TO WITHSTAND COMPRESSIVE AND SHEAR FORCES EXERTED BY SHEAVE LOADING

**spinlock**  
BE ADVENTURE-PROOF



**WARNING:**  
IF USING AS TEMPLATE, ENSURE PRINTER SETTINGS ARE ADJUSTED TO ACCOUNT FOR THE DRAWING SCALE AND **ALWAYS** CHECK DIMENSIONS.



**COPYRIGHT:**  
THIS DRAWING IS PROTECTED BY COPYRIGHT. ANY USE IS FORBIDDEN WITHOUT THE WRITTEN CONSENT OF SPINLOCK.

ALL DIMENSIONS IN MM

SCALE

1:2

PAGE SIZE  
(297 x 210)

A4

DATE:

OCT17

LINE SIZE:

Ø15 MAX

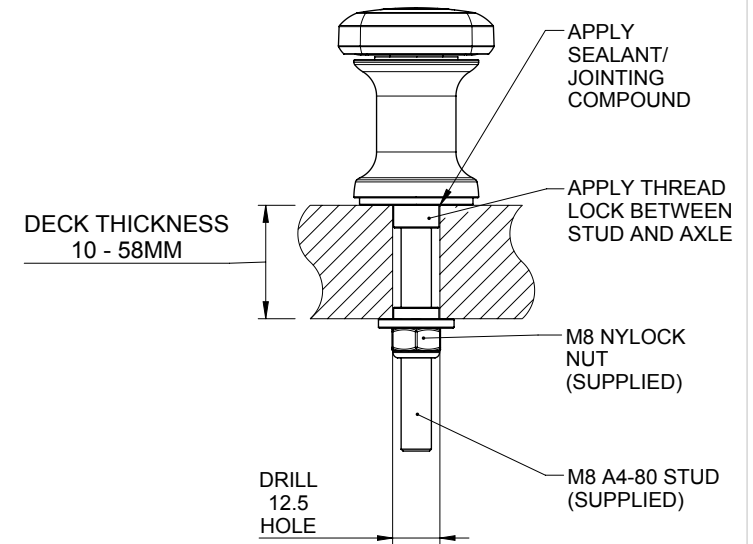
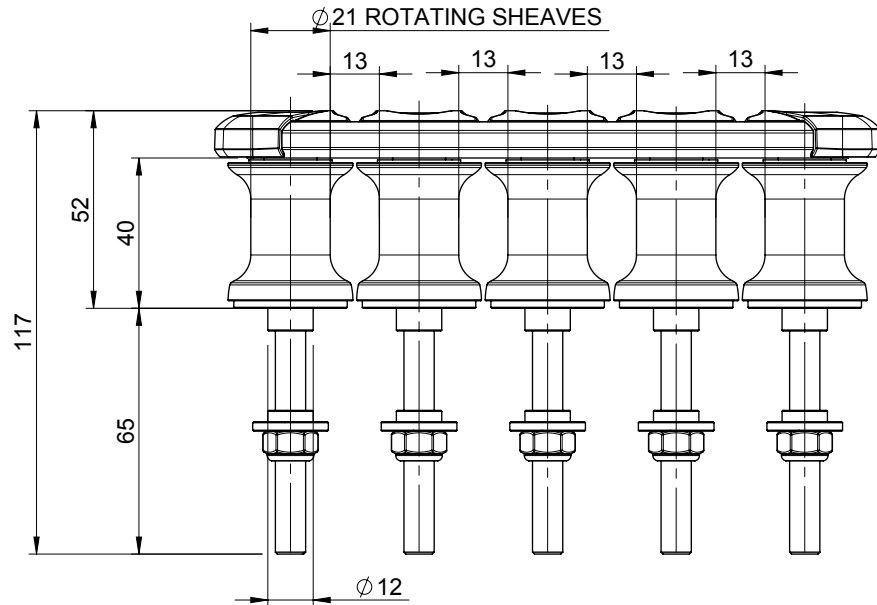
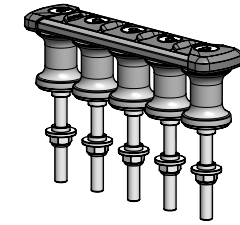
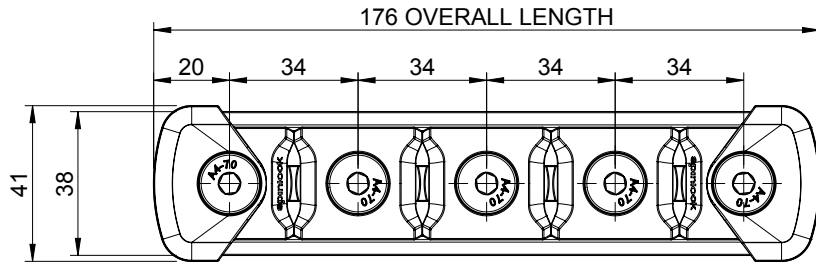
FASTENERS:

4 x M8

MAX LOAD:

SEE TABLE

**TSR20/4**

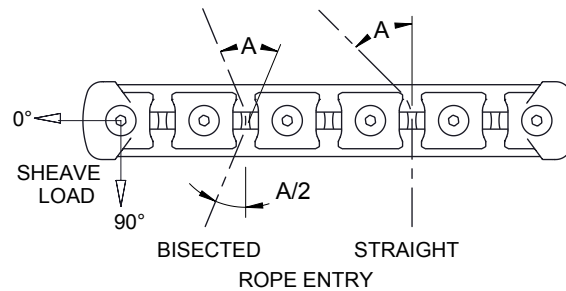


**MAXIMUM SHEAVE LOADS:**

LONGITUDINAL (0°)	1500kg
TRANSVERSE (90°)	1050kg
COMBINED	3750kg

**MAX ROPE TENSION (kg)**

DEFLECTION ANGLE 'A' (°)	BISECTED ENTRY	STRAIGHT ENTRY
15	5750	5650
30	2900	2710
45	1960	1690
60	1500	1180
90	1060	740



**SHEAVE SPACING:**

STANDARD SHEAVE SPACING SHOWN.  
CUSTOM SPACING AVAILABLE IN 1.0MM INCREMENTS.

**WEIGHT:**

796g (INCLUDING FULL LENGTH STAINLESS STEEL DECK FIXINGS)  
TITANIUM OPTION AVAILABLE (537g) - CONTACT SPINLOCK FOR MORE INFORMATION.

**INSTALLATION:**

MOUNTING SURFACE MUST BE SUFFICIENTLY STRONG AND STIFF TO WITHSTAND COMPRESSIVE AND SHEAR FORCES EXERTED BY SHEAVE LOADING

**spinlock**  
BE ADVENTURE-PROOF



**WARNING:**  
IF USING AS TEMPLATE, ENSURE PRINTER SETTINGS ARE ADJUSTED TO ACCOUNT FOR THE DRAWING SCALE AND **ALWAYS** CHECK DIMENSIONS.



**COPYRIGHT:**  
THIS DRAWING IS PROTECTED BY COPYRIGHT. ANY USE IS FORBIDDEN WITHOUT THE WRITTEN CONSENT OF SPINLOCK.

ALL DIMENSIONS IN MM

SCALE

1:2

PAGE SIZE  
(297 x 210)

A4

DATE:

OCT17

LINE SIZE:

Ø15 MAX

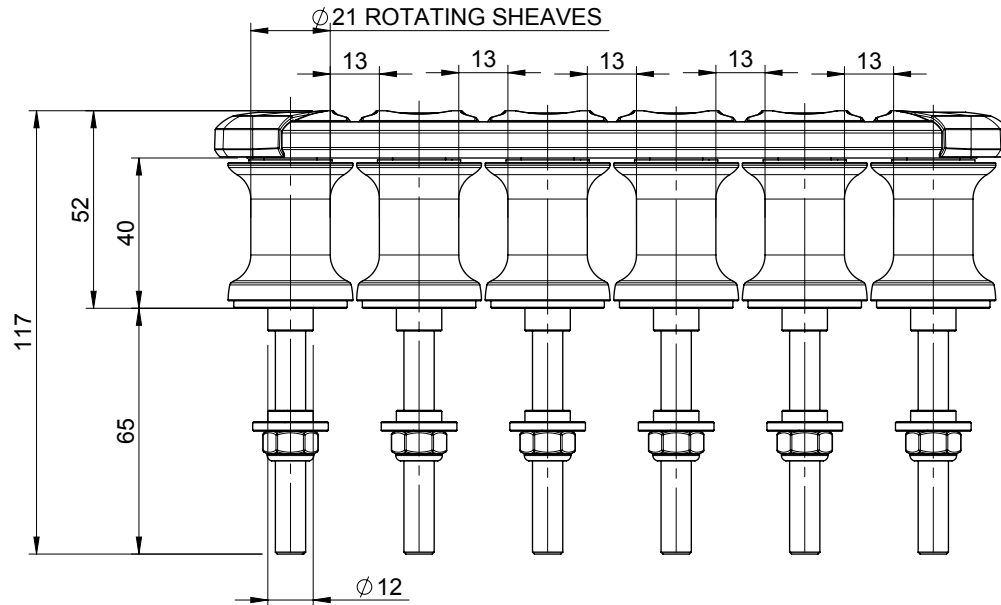
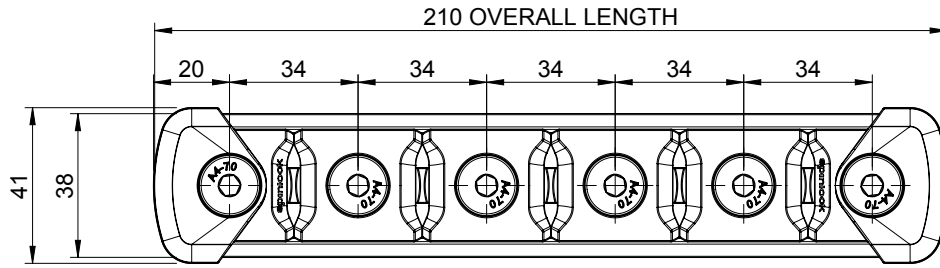
FASTENERS:

5 x M8

MAX LOAD:

SEE TABLE

**TSR20/5**

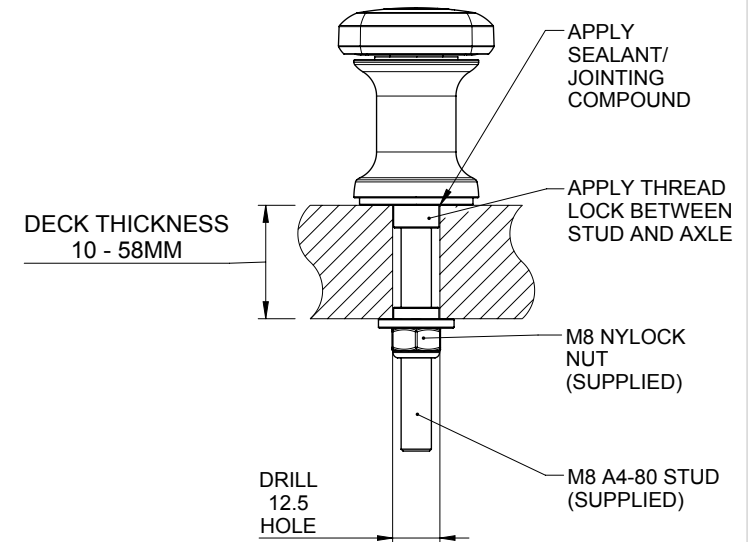
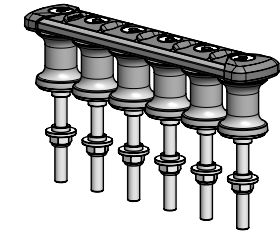
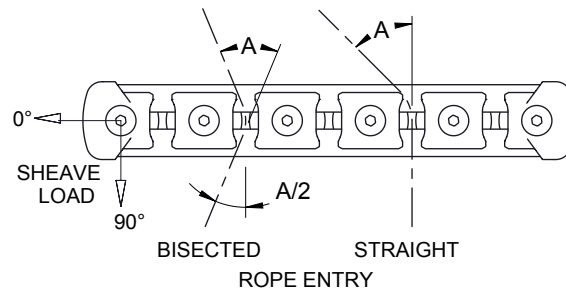


**MAXIMUM SHEAVE LOADS:**

LONGITUDINAL (0°)	1500kg
TRANSVERSE (90°)	1050kg
COMBINED	4500kg

**MAX ROPE TENSION (kg)**

DEFLECTION ANGLE 'A' (°)	BISECTED ENTRY	STRAIGHT ENTRY
15	5750	5650
30	2900	2710
45	1960	1690
60	1500	1180
90	1060	740



**SHEAVE SPACING:**

STANDARD SHEAVE SPACING SHOWN.  
CUSTOM SPACING AVAILABLE IN 1.0MM INCREMENTS.

**WEIGHT:**

956g (INCLUDING FULL LENGTH STAINLESS STEEL DECK FIXINGS)  
TITANIUM OPTION AVAILABLE (644g) - CONTACT SPINLOCK FOR MORE INFORMATION.

**INSTALLATION:**

MOUNTING SURFACE MUST BE SUFFICIENTLY STRONG AND STIFF TO WITHSTAND COMPRESSIVE AND SHEAR FORCES EXERTED BY SHEAVE LOADING

**spinlock**  
BE ADVENTURE-PROOF



**WARNING:**  
IF USING AS TEMPLATE, ENSURE PRINTER SETTINGS ARE ADJUSTED TO ACCOUNT FOR THE DRAWING SCALE AND **ALWAYS** CHECK DIMENSIONS.



**COPYRIGHT:**  
THIS DRAWING IS PROTECTED BY COPYRIGHT. ANY USE IS FORBIDDEN WITHOUT THE WRITTEN CONSENT OF SPINLOCK.

ALL DIMENSIONS IN MM

SCALE

1:2

PAGE SIZE  
(297 x 210)

A4

DATE:

OCT17

LINE SIZE:

Ø15 MAX

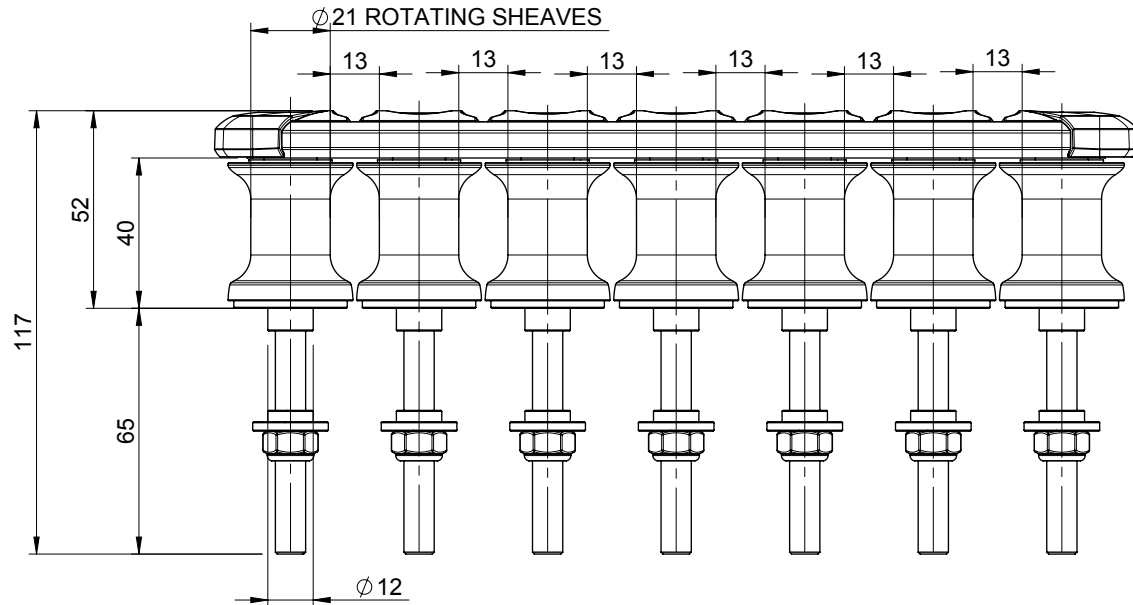
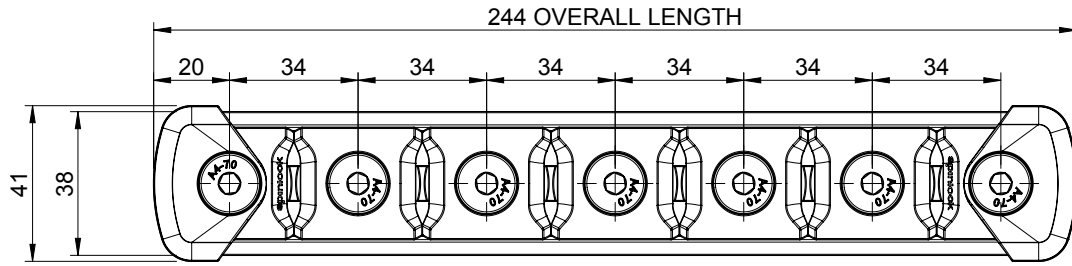
FASTENERS:

6 x M8

MAX LOAD:

SEE TABLE

**TSR20/6**

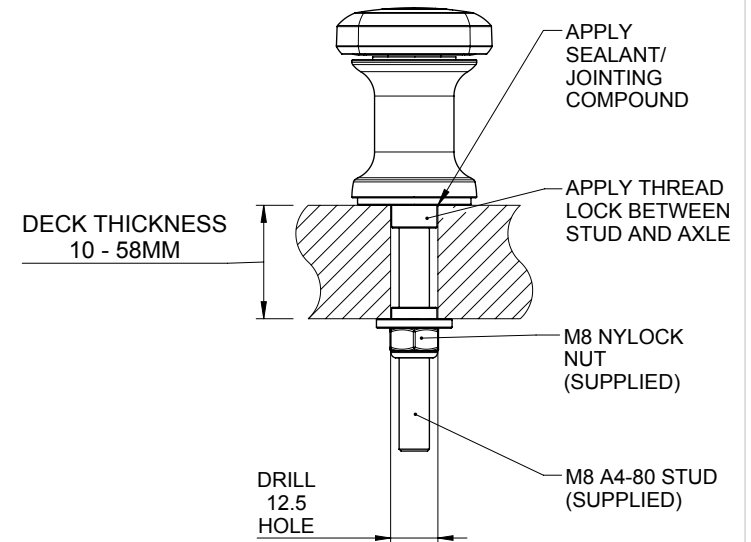
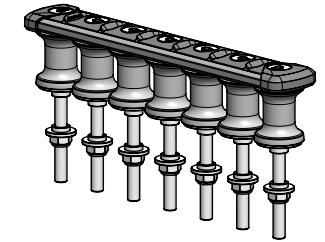
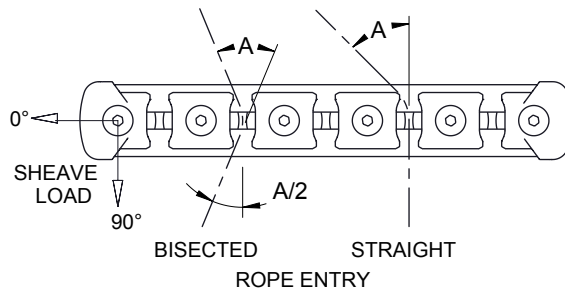


**MAXIMUM SHEAVE LOADS:**

LONGITUDINAL (0°)	1500kg
TRANSVERSE (90°)	1050kg
COMBINED	5250kg

**MAX ROPE TENSION (kg)**

DEFLECTION ANGLE 'A' (°)	BISECTED ENTRY	STRAIGHT ENTRY
15	5750	5650
30	2900	2710
45	1960	1690
60	1500	1180
90	1060	740



**SHEAVE SPACING:**

STANDARD SHEAVE SPACING SHOWN.  
CUSTOM SPACING AVAILABLE IN 1.0MM INCREMENTS.

**WEIGHT:**

1115g (INCLUDING FULL LENGTH STAINLESS STEEL DECK FIXINGS)  
TITANIUM OPTION AVAILABLE (751g) - CONTACT SPINLOCK FOR MORE INFORMATION.

**INSTALLATION:**

MOUNTING SURFACE MUST BE SUFFICIENTLY STRONG AND STIFF TO WITHSTAND COMPRESSIVE AND SHEAR FORCES EXERTED BY SHEAVE LOADING

**spinlock**  
BE ADVENTURE-PROOF

**WARNING:**  
IF USING AS TEMPLATE, ENSURE PRINTER SETTINGS ARE ADJUSTED TO ACCOUNT FOR THE DRAWING SCALE AND **ALWAYS** CHECK DIMENSIONS.  
**COPYRIGHT:**  
THIS DRAWING IS PROTECTED BY COPYRIGHT. ANY USE IS FORBIDDEN WITHOUT THE WRITTEN CONSENT OF SPINLOCK.

ALL DIMENSIONS IN MM

SCALE

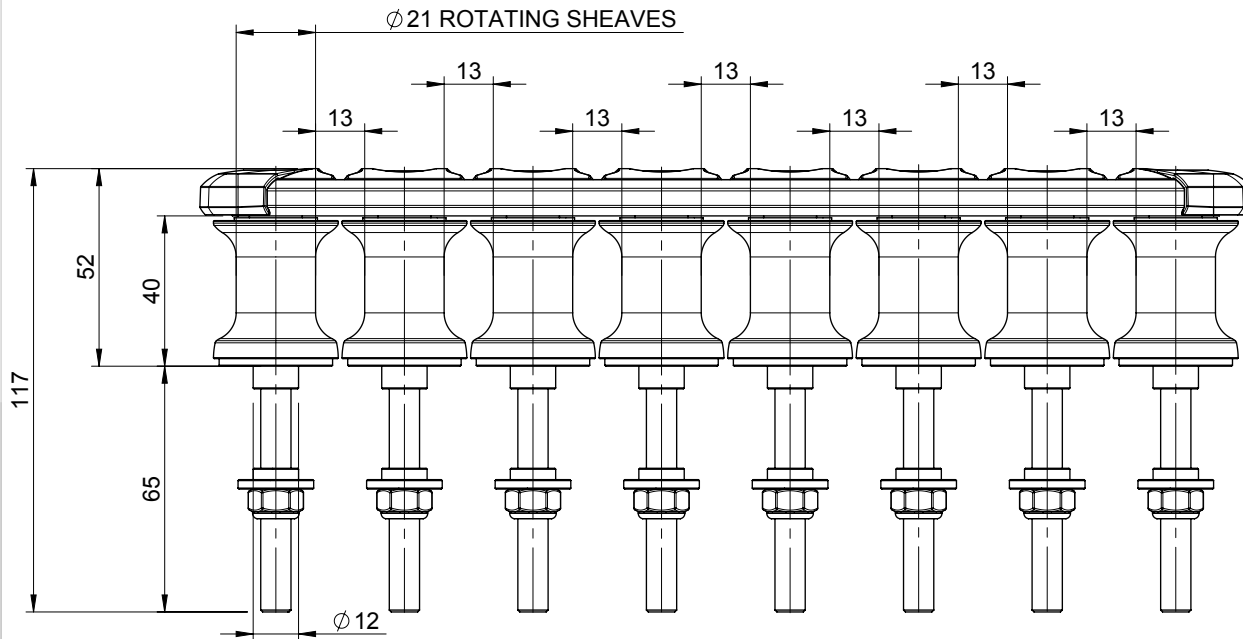
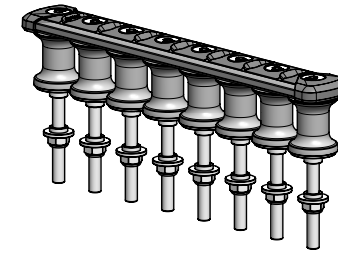
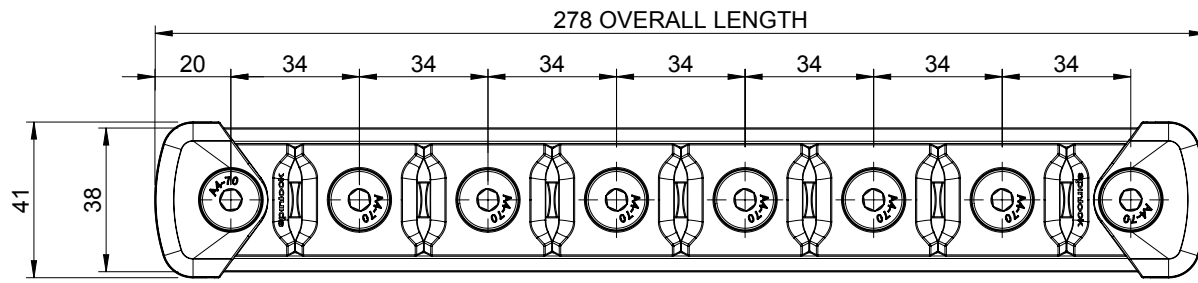
1:2

PAGE SIZE  
(297 x 210)

A4

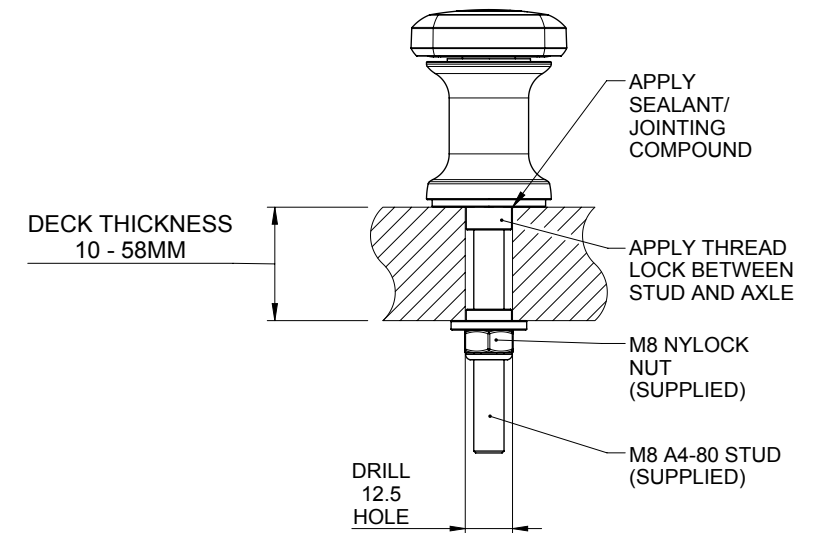
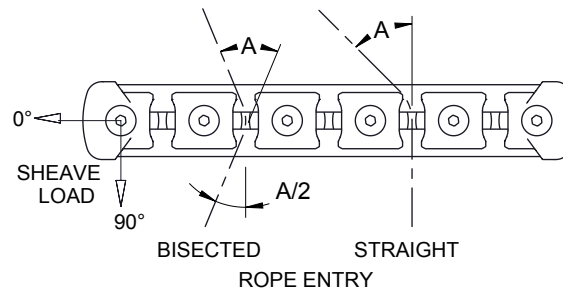
DATE:	OCT17
LINE SIZE:	Ø15 MAX
FASTENERS:	7 x M8
MAX LOAD:	SEE TABLE

**TSR20/7**



**MAXIMUM SHEAVE LOADS:**  
 LONGITUDINAL (0°) 1500kg  
 TRANSVERSE (90°) 1050kg  
 COMBINED 6000kg

MAX ROPE TENSION (kg)		
DEFLECTION	BISECTED ENTRY	STRAIGHT ENTRY
ANGLE 'A' (°)		
15	5750	5650
30	2900	2710
45	1960	1690
60	1500	1180
90	1060	740



**SHEAVE SPACING:**  
 STANDARD SHEAVE SPACING SHOWN.  
 CUSTOM SPACING AVAILABLE IN 1.0MM INCREMENTS.

**WEIGHT:**  
 1274g (INCLUDING FULL LENGTH STAINLESS STEEL DECK FIXINGS)  
 TITANIUM OPTION AVAILABLE (858g) - CONTACT SPINLOCK FOR MORE INFORMATION.

**INSTALLATION:**  
 MOUNTING SURFACE MUST BE SUFFICIENTLY STRONG AND STIFF TO WITHSTAND COMPRESSIVE AND SHEAR FORCES EXERTED BY SHEAVE LOADING

**spinlock**  
 BE ADVENTURE-PROOF



**WARNING:**  
 IF USING AS TEMPLATE, ENSURE PRINTER SETTINGS ARE ADJUSTED TO ACCOUNT FOR THE DRAWING SCALE AND **ALWAYS** CHECK DIMENSIONS.



**COPYRIGHT:**  
 THIS DRAWING IS PROTECTED BY COPYRIGHT. ANY USE IS FORBIDDEN WITHOUT THE WRITTEN CONSENT OF SPINLOCK.

ALL DIMENSIONS IN MM

SCALE

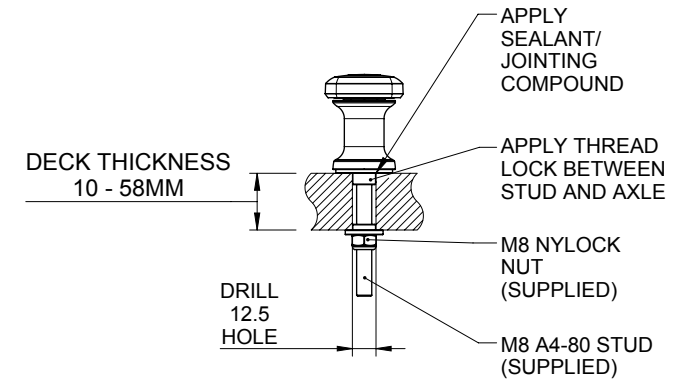
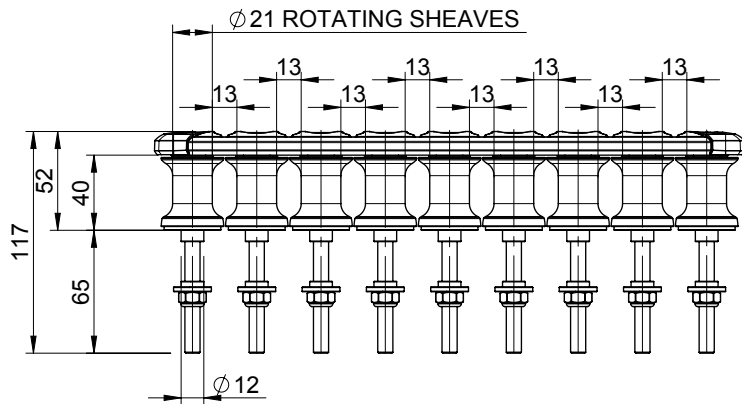
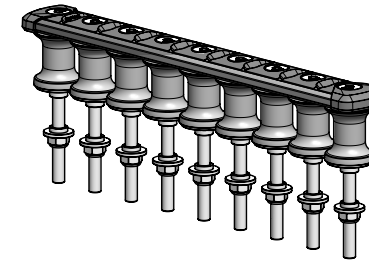
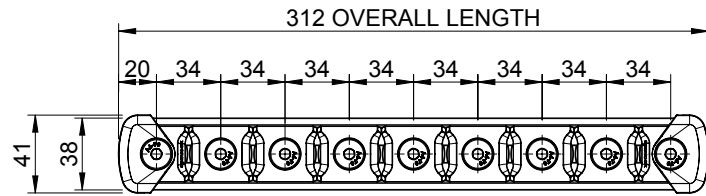
1:2

PAGE SIZE  
 (297 x 210)

A4

DATE:	OCT17
LINE SIZE:	Ø13 MAX
FASTENERS:	8 x M8
MAX LOAD:	SEE TABLE

**TSR20/8**

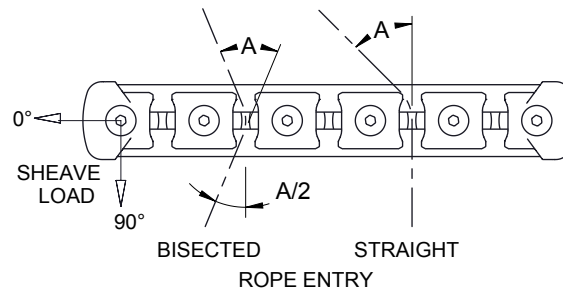


**MAXIMUM SHEAVE LOADS:**

LONGITUDINAL (0°)	1500kg
TRANSVERSE (90°)	1050kg
COMBINED	6750kg

**MAX ROPE TENSION (kg)**

DEFLECTION ANGLE 'A' (°)	BISECTED ENTRY	STRAIGHT ENTRY
15	5750	5650
30	2900	2710
45	1960	1690
60	1500	1180
90	1060	740



**SHEAVE SPACING:**

STANDARD SHEAVE SPACING SHOWN.  
CUSTOM SPACING AVAILABLE IN 1.0MM INCREMENTS.

**WEIGHT:**

1433g (INCLUDING FULL LENGTH STAINLESS STEEL DECK FIXINGS)  
TITANIUM OPTION AVAILABLE (966g) - CONTACT SPINLOCK FOR MORE INFORMATION.

**INSTALLATION:**

MOUNTING SURFACE MUST BE SUFFICIENTLY STRONG AND STIFF TO WITHSTAND COMPRESSIVE AND SHEAR FORCES EXERTED BY SHEAVE LOADING

**spinlock**  
BE ADVENTURE-PROOF



**WARNING:**  
IF USING AS TEMPLATE, ENSURE PRINTER SETTINGS ARE ADJUSTED TO ACCOUNT FOR THE DRAWING SCALE AND **ALWAYS** CHECK DIMENSIONS.



**COPYRIGHT:**  
THIS DRAWING IS PROTECTED BY COPYRIGHT. ANY USE IS FORBIDDEN WITHOUT THE WRITTEN CONSENT OF SPINLOCK.

ALL DIMENSIONS IN MM

SCALE

1:4

PAGE SIZE  
(297 x 210)

A4

DATE:

OCT17

LINE SIZE:

Ø13 MAX

FASTENERS:

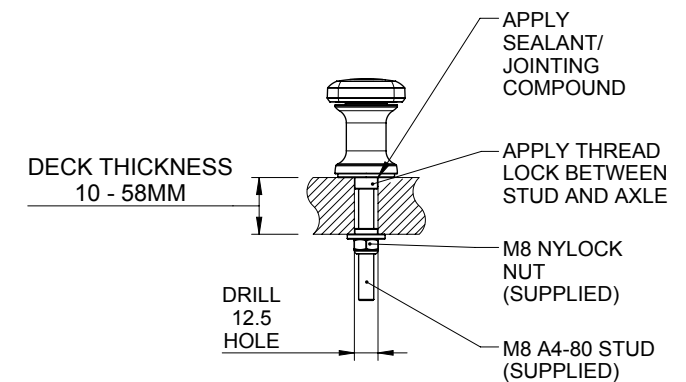
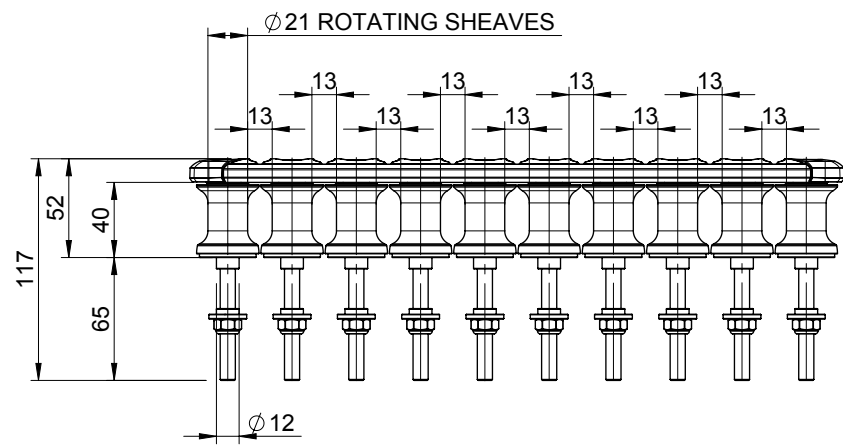
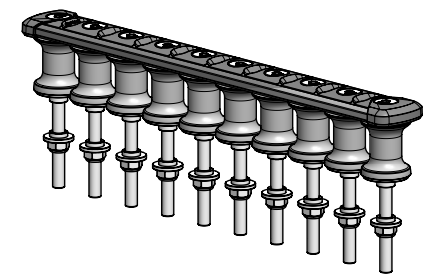
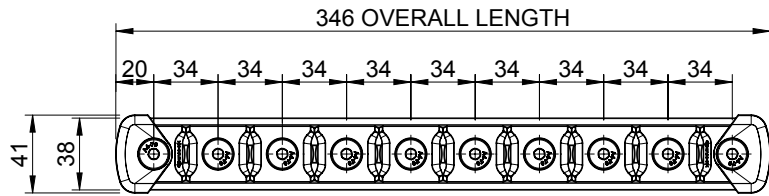
9 x M8

MAX LOAD:

SEE TABLE

**TSR20/9**

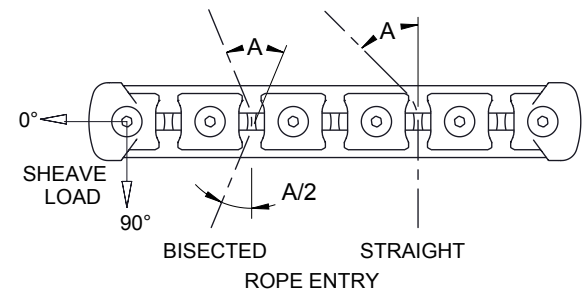




**MAXIMUM SHEAVE LOADS:**  
 LONGITUDINAL (0°) 1500kg  
 TRANSVERSE (90°) 1050kg  
 COMBINED 7500kg

**MAX ROPE TENSION (kg)**

DEFLECTION ANGLE 'A' (°)	BISECTED ENTRY	STRAIGHT ENTRY
15	5750	5650
30	2900	2710
45	1960	1690
60	1500	1180
90	1060	740



**SHEAVE SPACING:**  
 STANDARD SHEAVE SPACING SHOWN.  
 CUSTOM SPACING AVAILABLE IN 1.0MM INCREMENTS.

**WEIGHT:**  
 1592g (INCLUDING FULL LENGTH STAINLESS STEEL DECK FIXINGS)  
 TITANIUM OPTION AVAILABLE (1073g) - CONTACT SPINLOCK FOR MORE INFORMATION.

**INSTALLATION:**  
 MOUNTING SURFACE MUST BE SUFFICIENTLY STRONG AND STIFF TO WITHSTAND COMPRESSIVE AND SHEAR FORCES EXERTED BY SHEAVE LOADING

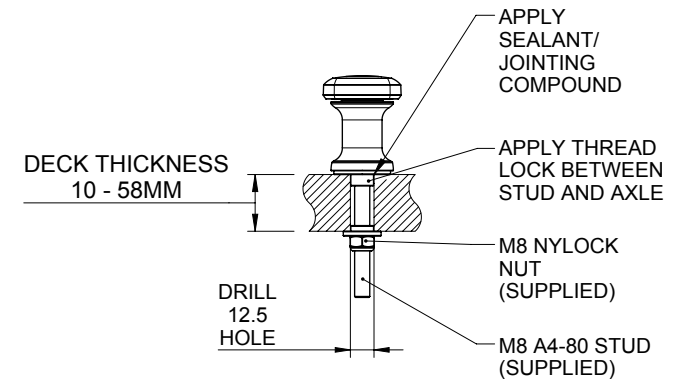
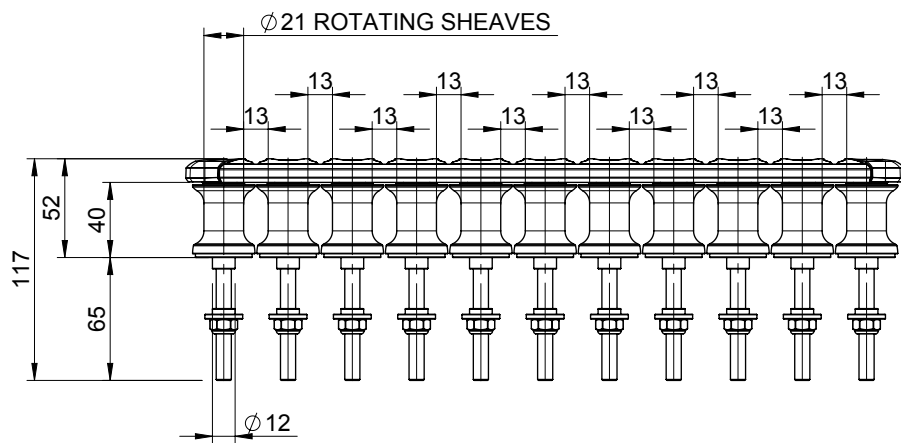
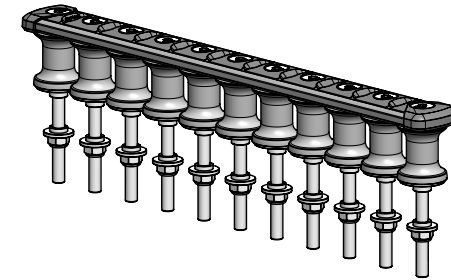
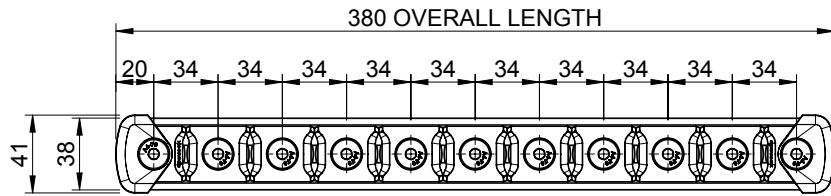
**spinlock**  
 BE ADVENTURE-PROOF

**WARNING:**  
 IF USING AS TEMPLATE, ENSURE PRINTER SETTINGS ARE ADJUSTED TO ACCOUNT FOR THE DRAWING SCALE AND **ALWAYS** CHECK DIMENSIONS.  
**COPYRIGHT:**  
 THIS DRAWING IS PROTECTED BY COPYRIGHT. ANY USE IS FORBIDDEN WITHOUT THE WRITTEN CONSENT OF SPINLOCK.

ALL DIMENSIONS IN MM  
 SCALE 1:4  
 PAGE SIZE (297 x 210)  
 A4

DATE:	OCT17
LINE SIZE:	Ø13 MAX
FASTENERS:	10 x M8
MAX LOAD:	SEE TABLE

**TSR20/10**

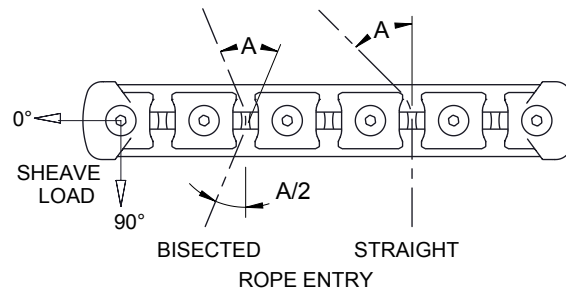


**MAXIMUM SHEAVE LOADS:**

LONGITUDINAL (0°)	1500kg
TRANSVERSE (90°)	1050kg
COMBINED	8250kg

**MAX ROPE TENSION (kg)**

DEFLECTION ANGLE 'A' (°)	BISECTED ENTRY	STRAIGHT ENTRY
15	5750	5650
30	2900	2710
45	1960	1690
60	1500	1180
90	1060	740



**SHEAVE SPACING:**

STANDARD SHEAVE SPACING SHOWN.  
CUSTOM SPACING AVAILABLE IN 1.0MM INCREMENTS.

**WEIGHT:**

1752g (INCLUDING FULL LENGTH STAINLESS STEEL DECK FIXINGS)  
TITANIUM OPTION AVAILABLE (1180g) - CONTACT SPINLOCK FOR MORE INFORMATION.

**INSTALLATION:**

MOUNTING SURFACE MUST BE SUFFICIENTLY STRONG AND STIFF TO WITHSTAND COMPRESSIVE AND SHEAR FORCES EXERTED BY SHEAVE LOADING

**spinlock**  
BE ADVENTURE-PROOF



**WARNING:**  
IF USING AS TEMPLATE, ENSURE PRINTER SETTINGS ARE ADJUSTED TO ACCOUNT FOR THE DRAWING SCALE AND **ALWAYS** CHECK DIMENSIONS.



**COPYRIGHT:**  
THIS DRAWING IS PROTECTED BY COPYRIGHT. ANY USE IS FORBIDDEN WITHOUT THE WRITTEN CONSENT OF SPINLOCK.

ALL DIMENSIONS IN MM

SCALE

1:4

PAGE SIZE  
(297 x 210)

A4

DATE:

OCT17

LINE SIZE:

Ø13 MAX

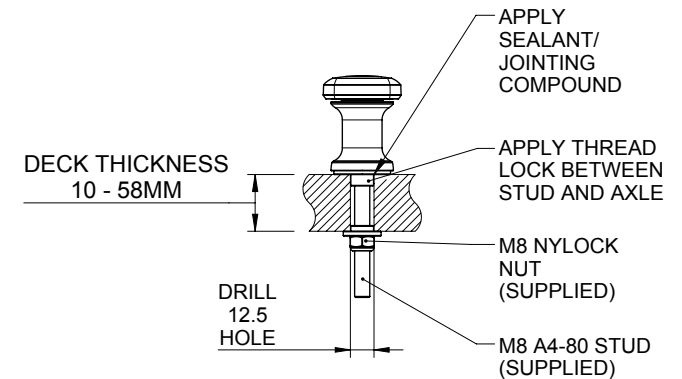
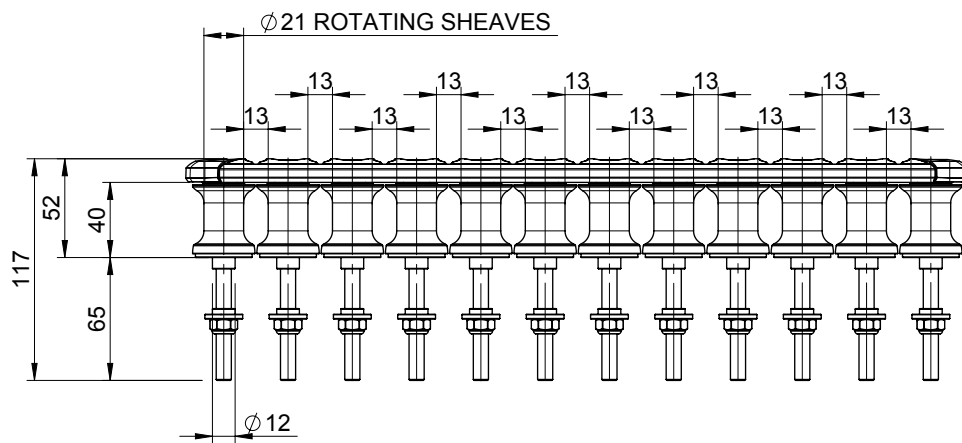
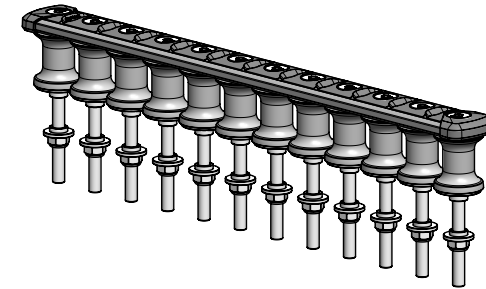
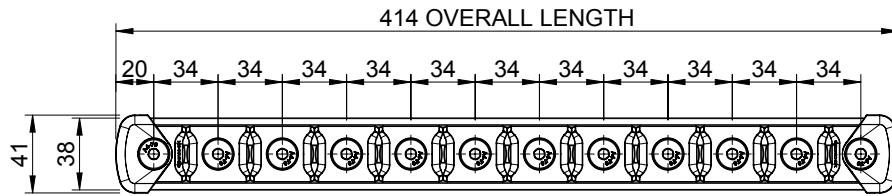
FASTENERS:

11 x M8

MAX LOAD:

SEE TABLE

**TSR20/11**

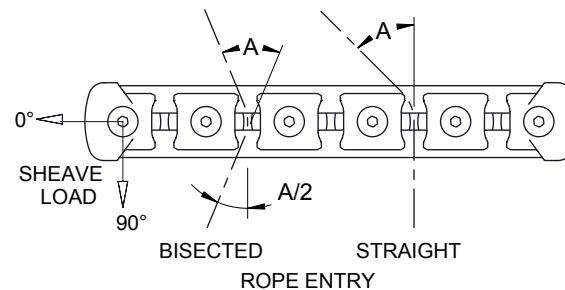


**MAXIMUM SHEAVE LOADS:**

LONGITUDINAL (0°)	1500kg
TRANSVERSE (90°)	1050kg
COMBINED	9000kg

**MAX ROPE TENSION (kg)**

DEFLECTION ANGLE 'A' (°)	BISECTED ENTRY	STRAIGHT ENTRY
15	5750	5650
30	2900	2710
45	1960	1690
60	1500	1180
90	1060	740



**SHEAVE SPACING:**

STANDARD SHEAVE SPACING SHOWN.  
CUSTOM SPACING AVAILABLE IN 1.0MM INCREMENTS.

**WEIGHT:**

1911g (INCLUDING FULL LENGTH STAINLESS STEEL DECK FIXINGS)  
TITANIUM OPTION AVAILABLE (1287g) - CONTACT SPINLOCK FOR MORE INFORMATION.

**INSTALLATION:**

MOUNTING SURFACE MUST BE SUFFICIENTLY STRONG AND STIFF TO WITHSTAND COMPRESSIVE AND SHEAR FORCES EXERTED BY SHEAVE LOADING

**spinlock**  
BE ADVENTURE-PROOF



**WARNING:**  
IF USING AS TEMPLATE, ENSURE PRINTER SETTINGS ARE ADJUSTED TO ACCOUNT FOR THE DRAWING SCALE AND **ALWAYS** CHECK DIMENSIONS.



**COPYRIGHT:**  
THIS DRAWING IS PROTECTED BY COPYRIGHT. ANY USE IS FORBIDDEN WITHOUT THE WRITTEN CONSENT OF SPINLOCK.

ALL DIMENSIONS IN MM

SCALE

1:4

PAGE SIZE  
(297 x 210)

A4

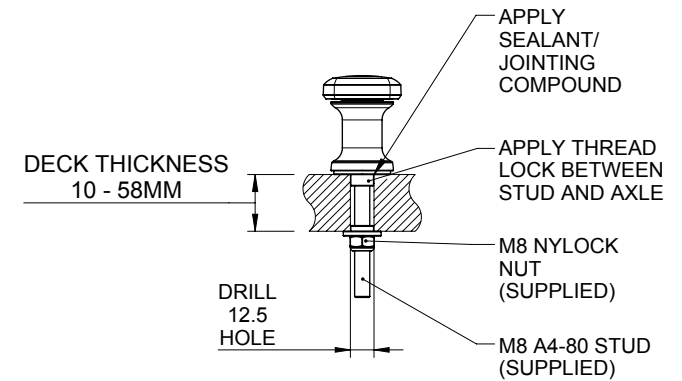
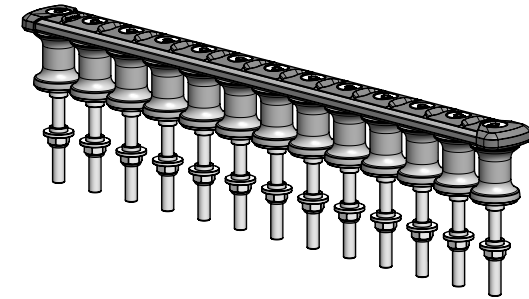
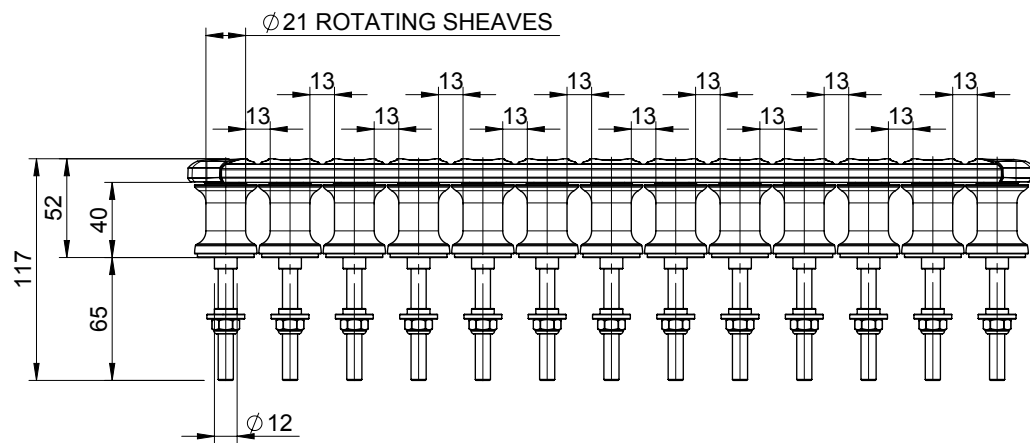
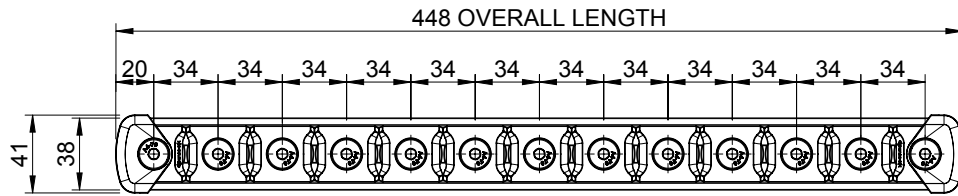
DATE: OCT17

LINE SIZE: Ø13 MAX

FASTENERS: 12 x M8

MAX LOAD: SEE TABLE

**TSR20/12**

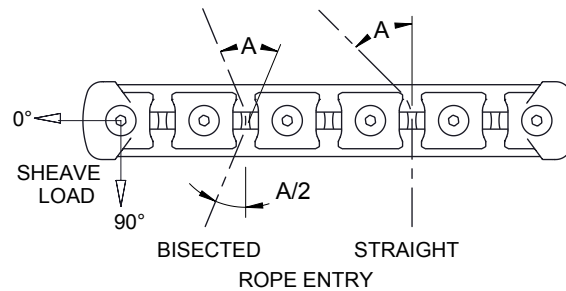


**MAXIMUM SHEAVE LOADS:**

LONGITUDINAL (0°)	1500kg
TRANSVERSE (90°)	1050kg
COMBINED	9750kg

**MAX ROPE TENSION (kg)**

DEFLECTION ANGLE 'A' (°)	BISECTED ENTRY	STRAIGHT ENTRY
15	5750	5650
30	2900	2710
45	1960	1690
60	1500	1180
90	1060	740



**SHEAVE SPACING:**

STANDARD SHEAVE SPACING SHOWN.  
CUSTOM SPACING AVAILABLE IN 1.0MM INCREMENTS.

**WEIGHT:**

2070g (INCLUDING FULL LENGTH STAINLESS STEEL DECK FIXINGS)  
TITANIUM OPTION AVAILABLE (1395g) - CONTACT SPINLOCK FOR MORE INFORMATION.

**INSTALLATION:**

MOUNTING SURFACE MUST BE SUFFICIENTLY STRONG AND STIFF TO WITHSTAND COMPRESSIVE AND SHEAR FORCES EXERTED BY SHEAVE LOADING

**spinlock**  
BE ADVENTURE-PROOF



**WARNING:**  
IF USING AS TEMPLATE, ENSURE PRINTER SETTINGS ARE ADJUSTED TO ACCOUNT FOR THE DRAWING SCALE AND **ALWAYS** CHECK DIMENSIONS.



**COPYRIGHT:**  
THIS DRAWING IS PROTECTED BY COPYRIGHT. ANY USE IS FORBIDDEN WITHOUT THE WRITTEN CONSENT OF SPINLOCK.

ALL DIMENSIONS IN MM

SCALE

1:4

PAGE SIZE  
(297 x 210)

A4

DATE:

OCT17

LINE SIZE:

Ø13 MAX

FASTENERS:

13 x M8

MAX LOAD:

SEE TABLE

**TSR20/13**