

MOUNTING INSTRUCTION WINCH 102

1. Remove nut (14)
2. Remove handle (13)
3. Remove shaft cover tube (11)
4. Slide shaft/top (1) up through winch
5. Remove drum (5)
6. Mark location of the bolt holes, using the winch base (9) as a template
7. Remove the base. Be sure that no dust comes into contact with the winch while drilling the bolt holes
8. Drill the bolt holes $\varnothing 6,5\text{mm}$. Centre hole $\varnothing 23\text{mm}-\varnothing 25\text{mm}$
9. Clean the area
10. Apply a light coat of bedding compound. ensuring that each hole is bedded.
11. Fasten base (9) into place using 6 pcs M6 countersunk head screws. Use large washers or a backing plate.
12. Reassemble in reverse order
13. Check that the winch is functioning correctly

SERVICE INSTRUCTION WINCH 102

Maintenance interval 1-2 years, depending on operating conditions.

1. Remove nut (14)
2. Remove handle (13)
3. Remove shaft cover tube (11)
4. Slide shaft/top (1) up through winch*
5. Remove drum (5)
6. Clean all moving parts with "white spirits"/ "mineral spirits" .
7. Check pawls & springs (2,8) for wear and replace if necessary
8. Reassemble the winch lightly greasing all moving parts. We strongly recommend to use ANDERSEN Winch Grease for this purpose.
9. Check that the winch is functioning correctly.

*) If not regularly greased the shaft cover tube can be difficult to remove, especially on older models, where the shaft cover tube is fitted directly on the shaft. To loosen the tube, tap it with a rubber hammer, while supporting the other side with a wooden block. The tube can also be loosened by tapping the shaft/top up with a rubber hammer. Be sure to tap the shaft with the nut attached, to protect the thread.

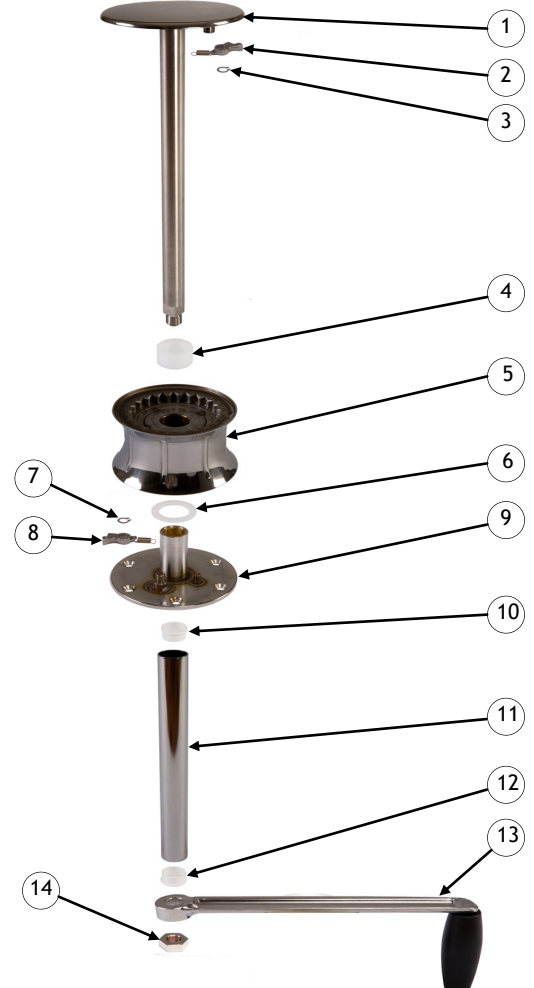
PARTS LIST WINCH 102 Ver.1.1

POS	QTY	DESCRIPTION	PART NO.
1	(1)	WINCH SHAFT/TOP 100MM	966710
	(1)	WINCH SHAFT/TOP 150MM	966705
	(1)	WINCH SHAFT/TOP 200MM	966708
2	1	PAWL W/SPRING	966301
3	1	CIRCLIP	DIN471-A2-A8
4	1	BUSHING	966800
5	1	DRUM 100-101-102	963905
6	1	WASHER	967000
7	1	CIRCLIP	DIN471-A2-A8
8	1	PAWL W/SPRING	966301
9	1	WINCH BASE	967100
10	1	BUSHING	967201
11	(1)	SHAFT COVER TUBE 100MM	967210
	(1)	SHAFT COVER TUBE 150MM	967215
	(1)	SHAFT COVER TUBE 200MM	967220
12	1	BUSHING	967201
13	1	WINCH HANDLE 102	511021
14	1	NUT F/HANDLE	967500

LIMITED WARRANTY

- 1.1 ANDERSEN issues a three-year warranty on all their products covering manufacturing and material defects on condition that the products are used in normal fashion. The warranty shall apply for three years from the moment ANDERSEN sell the product concerned (to the first buyer).
- 1.2 Within the period of the warranty, and in accordance with the terms of the warranty, ANDERSEN undertake to replace or repair all defective components, which have been used in normal fashion.
- 1.3 The warranty is however subject to the limitations and exceptions outlined below.
- Conditions and limitations:**
- 2.1 ANDERSEN's liability shall be limited to repair or replacement of components, which are defective owing to manufacturing or material defects.
- 2.2 ANDERSEN assume no other liability than this, not even liability for indirect losses caused by defect concerned, including operating losses, loss of profits, or damage caused to real property or moveable property occurring while the product concerned is in the possession of the Buyer.
- 2.3 The Buyer alone shall bear the responsibility and risk involved as to whether the products are suitable for the application intended. ANDERSEN assume no liability in this connection.
- 2.4 ANDERSEN assume no liability for defects which occur due to use of their products for purposes for which they are not intended, or for defects which occur owing to incorrect installation, corrosion, ultraviolet degradation, lack of maintenance, or any alteration or repair of the product carried out incorrectly by the Buyer. Finally, ANDERSEN assume no liability for normal wear and tear, or for depreciation in value.
- 2.5 ANDERSEN do not assume any liability for service carried out by anyone other than authorised ANDERSEN representatives, unless such service is carried out pursuant to guidelines laid down by ANDERSEN and in accordance with good craftsmanship.
- 2.6 The buyer shall inform ANDERSEN in writing of any defects with no undue delay once defects have been registered. Products being dealt with under the warranty shall be returned to ANDERSEN for repair unless any other agreement has been reached in writing.
- 2.7 ANDERSEN shall not cover costs incurred by the Buyer in connection with the transport or wages involved in a warranty case. The Buyer in full shall meet such costs.
- Exceptions:**
- 3.1 The warranty is only valid for one year in respect of components bought for the products concerned, such as electric motors, electric equipment, hydraulic pumps, motors and valves.
- 3.2 ANDERSEN assume no liability for consequential damage of ships, equipment, property or people caused by defects in ANDERSEN products.
- 3.3 The company's products are subject to continuous development, and consequently ANDERSEN reserve the right to change designs and specifications without prior notice.

EXPLODED VIEW WINCH 102



WORLD WIDE DISTRIBUTION & SERVICE

(FOR UPDATED DISTRIBUTOR LIST, PLEASE SEE WWW.ANDERSENWINCHES.COM)

Manufactured by:

ANDERSEN Winches
DK-7100 Vejle

DENMARK

www.andersenwinches.com

E-mail: info@andersenwinches.com

Manual
WINCH 102
ver. 1.1

