

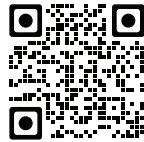


## QUICK REFERENCE GUIDE

# ORBIT WINCH™

## 20ST

RA6201 Single Speed, Self-tailing Winch



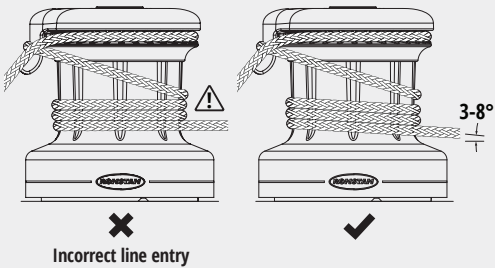
Download the complete Product Manual for this winch from [ronstan.com/orbitwinch](http://ronstan.com/orbitwinch) for detailed instructions regarding installation, operation, service and maintenance.

### RA6201 Specifications

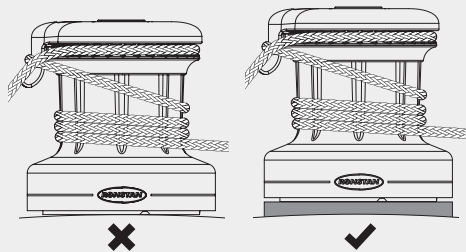
Power ratio:	1st speed:	18:1
Line dia.:	6-10mm (1/4" - 3/8")	
Weight:	1.7 kg (3.7 lb)	
MWL:	550 kg (1210 lb)	

### DETERMINE WINCH MOUNTING POSITION

Position the winch in the desired location. Ensure the surface is flat and the line entry angle is acceptable (3-8° as shown below).

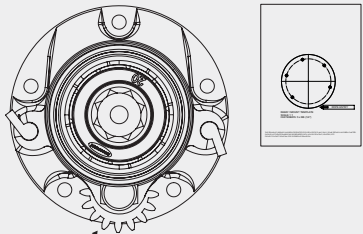


Incorrect line entry



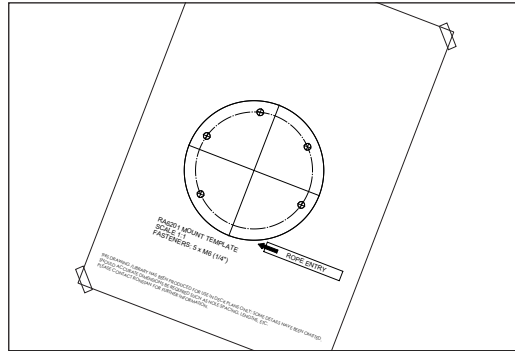
Mounting surface not flat

Ensure the Drive gear is aligned to the line entry as per the orientation on the template.



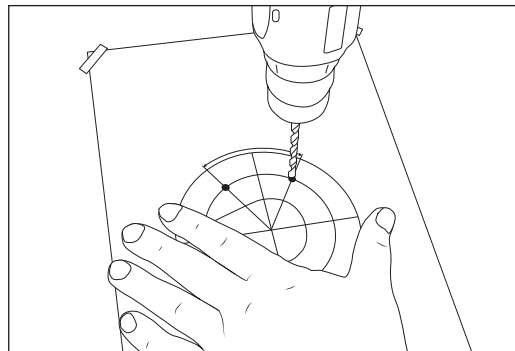
Output Drive ← Line Entry

### INSTALLATION



#### STEP 1

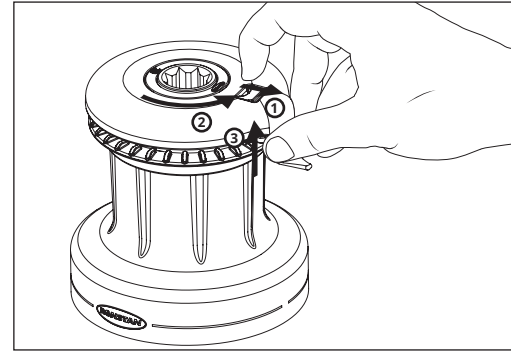
Clean the mounting surface and tape the drilling template in position so that it matches the desired winch mounting position and orientation.



#### STEP 4

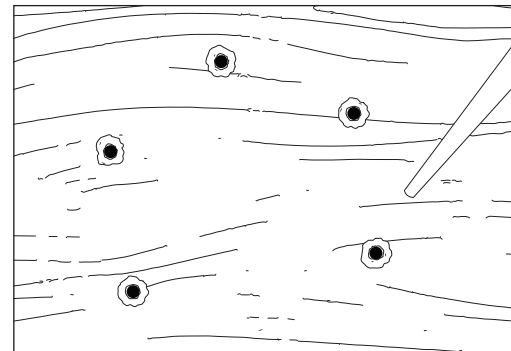
With the template in place, drill the  $\varnothing 6.5\text{mm}$  holes for the M6 mounting bolts (or 9/32" holes for 1/4" bolts).

**Remove the template**, clean away any debris from the holes, and clean the deck thoroughly to ensure deck sealant can adhere properly.



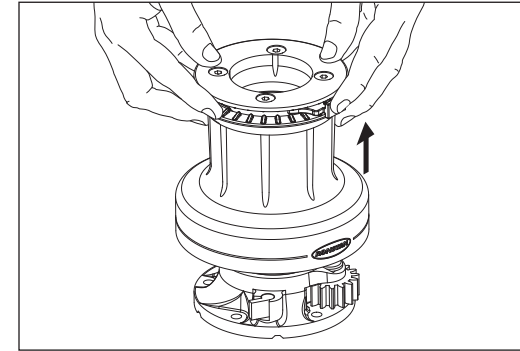
#### STEP 2

Pull back the spring-loaded release latch on the self-tailing arm with a fingertip (1), then rotate the arm slightly in an anti-clockwise direction (2) until it can be lifted clear of the winch (3).



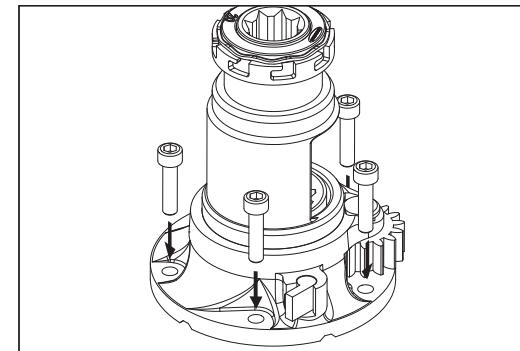
#### STEP 5

Apply sealant under the base of the centre stem around the mounting holes, ensuring that the drainage channels remain clean and free of sealant. For mounting on metal surfaces, the base must also be completely isolated from the mounting surface to prevent galvanic corrosion. Isolation is also recommended for installation on raw carbon fibre surfaces.



#### STEP 3

Pull upward on the drum to remove it from the centre stem. Place the centre stem on the template with mounting hole positions aligned, to check that orientation of rope entry in relation to Output Drive Gear is correct.



#### STEP 6

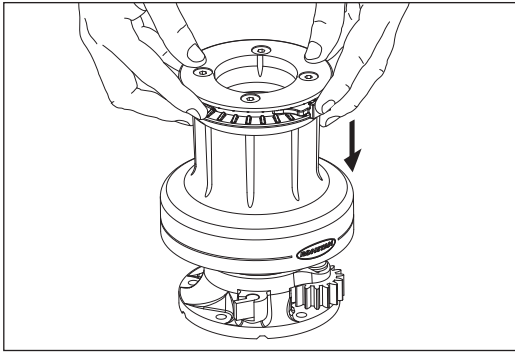
Fit the winch to the deck using large washers (or backing plate) and locking nuts below deck. Apply Tef-Gel™ under the head of each mounting fastener to isolate it from the aluminium centre stem. To avoid wearing the anodised surface of the stem, use a hex key to prevent the fastener from turning and use a spanner to tighten the nuts from below.\*

\*5x M6 or 1/4" Grade 316 stainless steel fasteners. Use of A4-70 DIN912 hex socket cylinder head screws is recommended, installed at a torque setting of no more than 7.1Nm as per industry standards.

Tef-Gel™ is a trademark of Ultra Safety Systems, Inc.

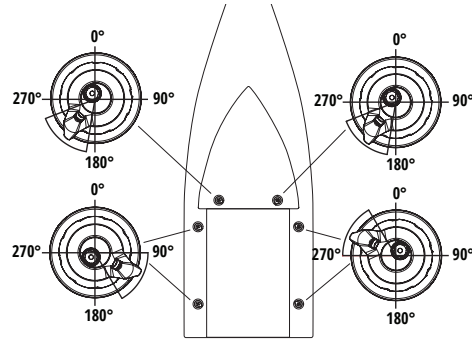
Download the drilling template and complete Product Manual for this winch from [ronstan.com/orbitwinch](http://ronstan.com/orbitwinch) for detailed instructions regarding installation, operation, service and maintenance.

## REASSEMBLING THE WINCH



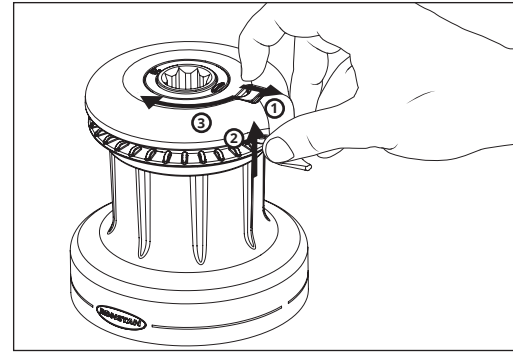
### STEP 1

Lift the drum assembly over the centre stem, then slide it fully down into position.



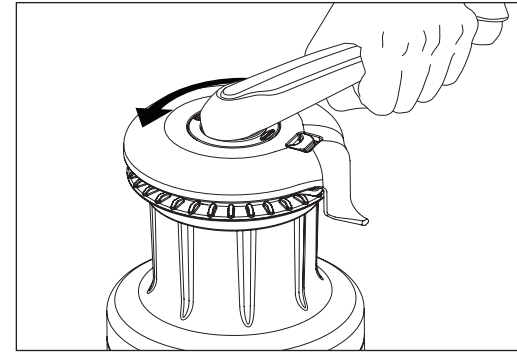
### ARM ORIENTATION

The image above can be used as a guide to the orientation of the self-tailing arm in typical locations on the deck.



### STEP 2

Rotate the self-tailing arm to its desired position, ensuring that the rope splitter is in position. Pull back the spring-loaded release latch on the self-tailing arm with a fingertip (1), then rotate the arm slightly in a clockwise direction (3), and listen for the audible "click" indicating it is locked in position (2).



### STEP 3

Check that the drum turns smoothly when rotated by hand in a clockwise direction, and is not able to turn in an anti-clockwise direction. Insert a winch handle in the socket of the central drive shaft. Turning the handle in an anti-clockwise direction should drive the drum in a clockwise direction.

## ! SAFETY NOTICES

### Read All Safety Notices and Product Manuals

Do not install or operate this winch before reading and fully understanding the contents of the Product Manual.

### Stay Alert When Operating

Winches are very powerful and have the potential to cause significant damage and/or serious injury if used improperly or without due caution and vigilance.

### Operators Must Be Trained

Help prevent significant damage and/or serious injury by ensuring any person operating a winch has a thorough understanding of its proper operation and is aware of the potential hazards involved. As a minimum, all winch operators must read and understand the Safety Notices included in this Quick Installation Guide and the Product Manual.

Particular attention is drawn to the following points:

- Children and others not qualified to operate a winch must be kept at a safe distance from the winch and any rigging or fittings that are under load.
- Long hair and/or loose clothing must be tied back to avoid being caught in the winch.
- In the event of a line override or other fault with an electric winch, stop the winch and turn off power before attempting to resolve the problem.

### Avoid Accidental Operation

Remove winch handles when not in use, and turn off power to electric winches to help avoid unsupervised or unintentional operation. Failure to do so could result in significant damage and/or serious injury.

### Maintenance

Turn off power to an electric winch before performing any maintenance or service tasks. Failure to do so could result in significant damage and/or serious injury.