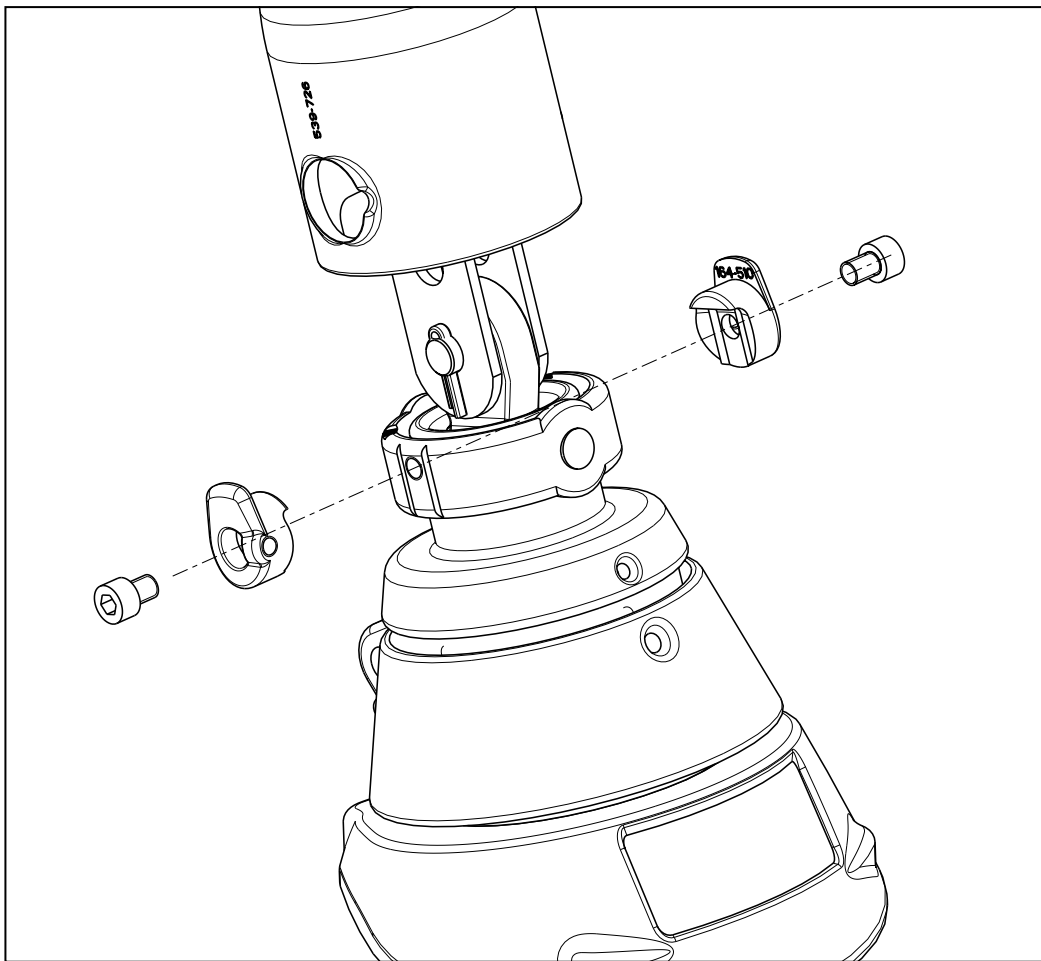


FURLEX

 SELDÉN

Spare Parts List Furlex *200 TD & 300 TD*



 SELDÉN

Bäste Furlex-ägare

Furlex säljs genom ett nät av auktoriserade återförsäljare som täcker alla marina marknader runt om i världen.

Auktorisationen omfattar praktisk och teoretisk utbildning i hur Furlex-systemet är uppbyggt.

Denna kunskap innebär professionell service till Dig som Furlex-ägare.

Vi önskar dig mycket skön segling och hoppas att denna reservdelslista kan vara till nytta om du någon gång behöver kontakta en återförsäljare för professionella råd eller assistans.

Dear Furlex-owner

Furlex is supplied via an extensive network of authorized dealers who cover the major sailing areas of the world.

The authorization ensures that each dealer is fully versed in the design, assembly and operation of Furlex - and is a guarantee of professional service. We wish you much enjoyable and carefree sailing and hope that this spare parts list will be of help if you ever require professional advice or assistance.

Lieber Furlex-Eigner

Furlex wird über ein Netz autorisierter Fachhändler weltweit in allen Segelregionen verkauft.

Die Autorisierung dieser Fachhändler erfolgt durch eine theoretische und praktische Schulung im Aufbau des Furlex-Systems.

Dieses Können gewährleistet Ihnen als Furlex-Besitzer professionellen Service.

Wir wünschen Ihnen ein angenehmes Segeln und hoffen, daß Ihnen dieses Ersatzteilverzeichnis hilft bei eventuellem Bedarf eines Rates oder professioneller Hilfe.



OBS!

Plocka ej isär fallsvirveln eller nedre lagringsdelen. Det kan vara svårt att återmontera dessa delar på ett korrekt sätt. Bland annat ligger lagerbanornas kulor löst monterade. Vid behov av service, kontakta din Furlexåterförsäljare.



NOTE!

Do not dismantle the halyard swivel or lower bearing assembly. You will find it difficult to re-assemble them correctly (the ball-bearings are loose and difficult to refit!). Contact your Furlex dealer if service is required.



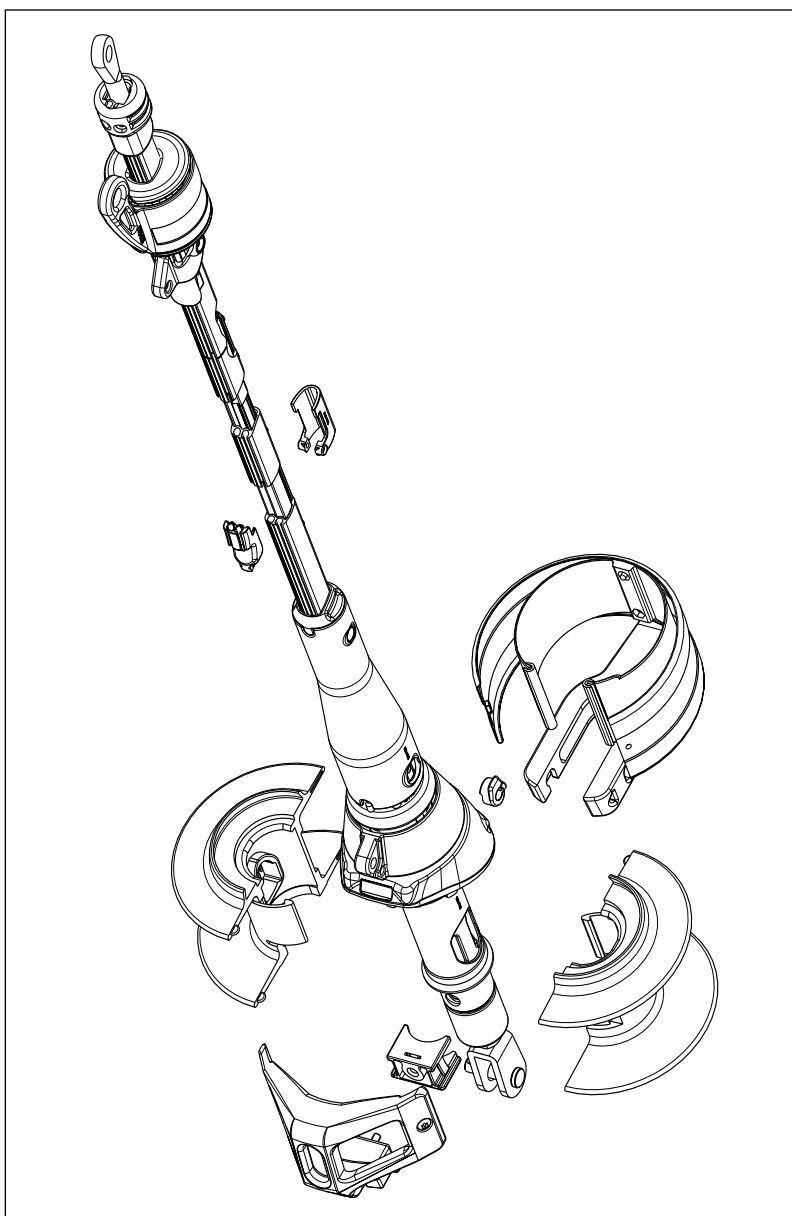
ACHTUNG!

Nehmen Sie den Fallschlitten oder die untere Lagerung nicht auseinander. Es ist schwer diese wieder korrekt zu montieren. Unter anderem liegen die Kugeln lose montiert. Wenden Sie sich bei Bedarf an Ihren Furlex- Händler.

Seldén Mast AB reserves the right to alter the design or specification without prior warning; to allow unrestricted future product development.

Contents

	<i>Page</i>
<i>Halyard swivel</i>	4
<i>Lower swivel</i>	6
<i>Deck collar</i>	8
<i>Torque Tube</i>	8
<i>Line drum half</i>	9
<i>Wireterminal with toggle</i>	10
<i>Line guard bracket assembly</i>	11
<i>Line guide fitting assembly</i>	11
<i>Luff extrusions</i>	12
<i>Additional items</i>	14

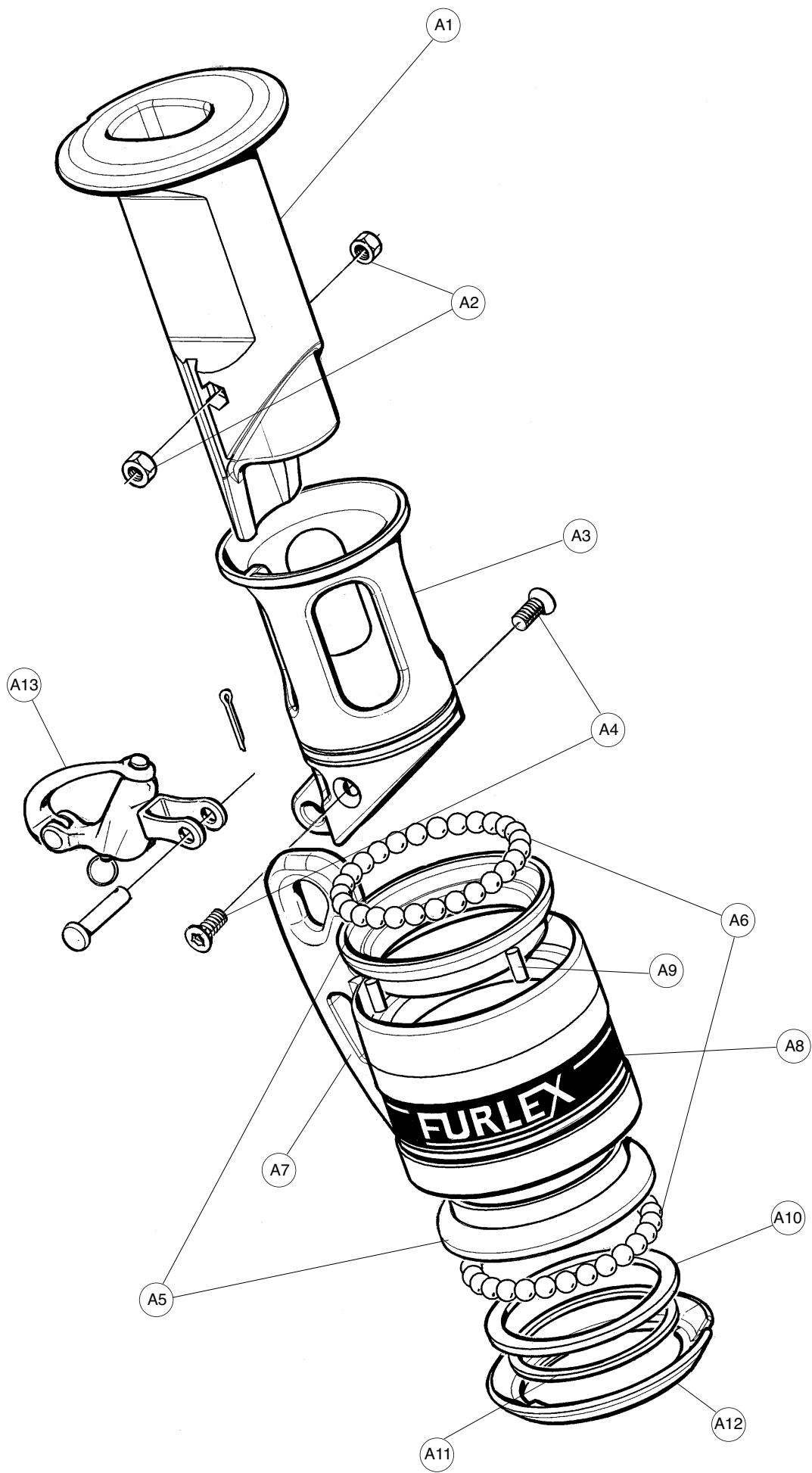


Halyard swivel

Description A

		Serie 200					Serie 300			
				Forestay wire size					Forestay wire size	
Item	Description	Dimension	Qty	Ø 6 mm	Ø 7 mm	Ø 8 mm	Dimension	Qty	Ø 8 mm	Ø 10 mm
		Assembly number →		539-581-01	539-581-01	539-581-01	Assembly number →		539-281-01	539-281-01
A1	Sliding sleeve	Ø 74x162	1	539-582	539-582	539-582	Ø 90x173	1	539-282	539-282
A2	Locking nut	M6	2	158-005	158-005	158-005	M6	2	158-005	158-005
A3	Hub	Ø 52x120	1	539-581	539-581	539-581	Ø 62x130	1	539-281	539-281
A4	Screw	MFT 6x12	2	162-030	162-030	162-030	MFT 6x12	2	162-030	162-030
A5	Ball bearing ring-outer	Ø 68/52-16	2	539-272	539-272	539-272	Ø 83/64-16	2	539-270	539-270
A6	Balls	Ø 6	2X30	539-034	539-034	539-034	Ø 8	2x27	539-128	539-128
A7	Eye ring	77x105	1	539-583 ¹⁾	539-583 ¹⁾	539-583 ¹⁾	91x118	1	539-283 ¹⁾	539-283 ¹⁾
A8	Label	18x213	1	591-398	591-398	591-398	24x251	1	591-397	591-397
A9	Buffer	Ø 5x8	3	319-656	319-656	319-656	Ø 5x8	3	319-656	319-656
A10	Washer	Ø 62/52-3	1	164-441	164-441	164-441	Ø 74/62-3	1	164-440	164-440
A11	Clip ring	MST 204	1	301-508	301-508	301-508	MST 243	1	301-507	301-507
A12	Cover	Ø 77x5	1	539-578	539-578	539-578	Ø 88x8	1	539-278	539-278
A13	Snap shackle	85 mm	1	307-336	307-336	307-336	85 mm	1	307-336	307-336

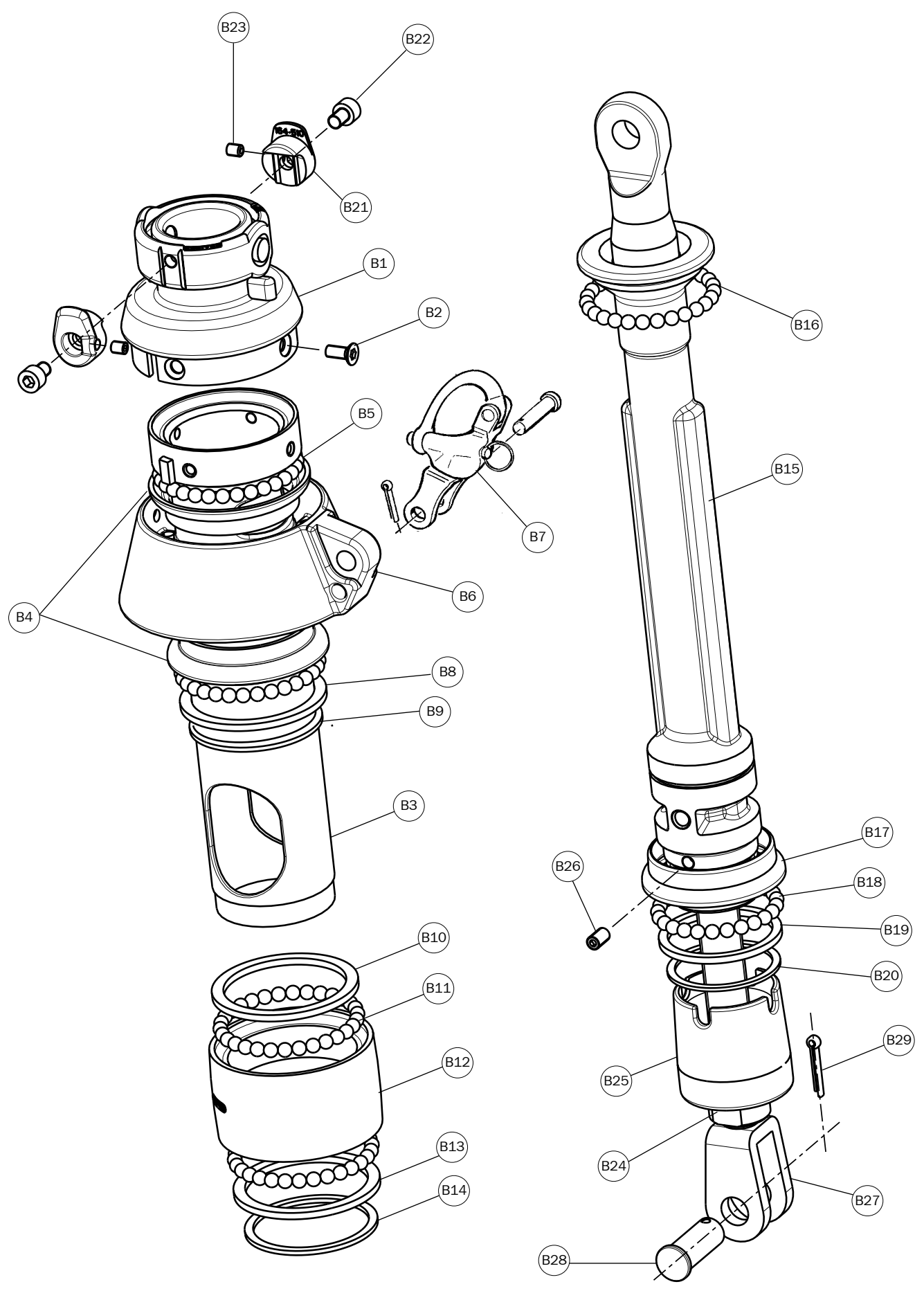
¹⁾	Only as an assembly A7-A8	1	539-583-01	539-583-01	539-583-01	-	1	539-283-01	539-283-01
---------------	---------------------------	---	------------	------------	------------	---	---	------------	------------



Lower swivel

Description B

		Serie 200					Serie 300			
				Forestay wire size					Forestay wire size	
Item	Description	Dimension	Qty	Ø 6 mm	Ø 7 mm	Ø 8 mm	Dimension	Qty	Ø 8 mm	Ø 10 mm
		Assembly number →		539-721-01	539-721-01	539-721-02	Assembly number →		539-731-01	539-731-01
B1	Carrier assembly	FLX 200TD	1	539-723-01	539-723-01	539-723-01	FLX 300TD	1	539-733-01	539-733-01
B2	Screw	MFT 5x10	4	162-064	162-064	162-064	MFT 6x12	4	162-030	162-030
B3	Hub	Ø 64/52-225	1	539-722	539-722	539-722	Ø 74/62-260	1	539-732	539-732
B4	Ball bearing ring-outer	Ø 68/52-16	2	539-272	539-272	539-272	Ø 83/64-16	2	539-270	539-270
B5	Ball	Ø 6	2x30	539-034	539-034	539-034	Ø 8	2x27	539-128	539-128
B6	Tackring	Ø 105x40	1	539-556	539-556	539-556	Ø 116x42	1	539-297	539-297
B7	Snap shackle	85 mm	1	307-336	307-336	307-336	85 mm	1	307-336	307-336
B8	Washer	Ø 62/52-3	1	164-441	164-441	164-441	Ø 74/62-3	1	164-440	164-440
B9	Clip ring	MST 204	1	301-508	301-508	301-508	MST 243	1	301-507	301-507
B10	Washer	Ø 62/52-3	1	164-441	164-441	164-441	Ø 74/62-3	1	164-440	164-440
B11	Ball	Ø 1/4"	2x30	319-590	319-590	319-590	Ø 5/16"	2x27	319-591	319-591
B12	Deck bearing	Ø 71x40	1	539-725	539-725	539-725	Ø 85x40	1	539-735	539-735
B13	Washer	Ø 62/52-3	1	164-441	164-441	164-441	Ø 74/62-3	1	164-440	164-440
B14	Clip ring	MST 204	1	301-508	301-508	301-508	MST 243	1	301-507	301-507
B15	Shaft	Ø 58/42-270 (6/7)	1	539-721	539-721	-	Ø 62/52-320 (8/10)	1	539-731	539-731
B15	Shaft	Ø 58/42-270 (8)	1	-	-	539-742	-	-	-	-
B16	Ball	Ø 6	28	539-034	539-034	539-034	Ø 8	22	539-128	539-128
B17	Ball bearing ring-outer	Ø 57/50-15	1	539-521	539-521	539-521	Ø 68/52-16	1	539-272	539-272
B18	Ball	Ø 6	26	539-034	539-034	539-034	Ø 6	30	539-034	539-034
B19	Washer	Ø 52/42-3	1	164-443	164-443	164-443	Ø 62/52-3	1	164-441	164-441
B20	Clip ring	MST 173	1	301-510	301-510	301-510	MST 204	1	301-508	301-508
B21	Boss	Ø 21x26	2	164-510 ¹⁾	164-510 ¹⁾	164-510 ¹⁾	Ø 25x30	2	164-511 ¹⁾	164-511 ¹⁾
B22	Screw	MC6SS 6x8	2	153-091	153-091	153-091	MC6S 8x10	2	153-092	153-092
B23	Grub screw	MSK6SS 5x6	2	153-127	153-127	153-127	MSK6SS 5x6		153-127	153-127
B24	Nut	Ø 35x33 (M16)	1	174-547 ²⁾	174-547 ²⁾	174-547 ²⁾	Ø 40/36 (M20)	1	174-543 ²⁾	174-543 ²⁾
B25	Cap	Ø 45x45	1	174-548 ²⁾	174-548 ²⁾	174-548 ²⁾	Ø 58/48	1	174-544 ²⁾	174-544 ²⁾
B26	Grub screw	MSK6SS 6x8	2	153-102	153-102	153-102	MSK6SS 6x12	2	153-112	153-112
B27	Fork terminal	M16x260 (6/7)	1	174-551 ²⁾	174-551 ²⁾	-	M20x285 (8/10)	1	174-549 ²⁾	174-549 ²⁾
B27	Fork terminal	M16x260 (8)	1	-	-	174-546 ²⁾	-	-	-	-
B28	Clevis pin	Ø 13x32	1	168-014	168-014	-	Ø 15,8x45	1	168-022	168-022
B28	Clevis pin	Ø 15.8x38	1	-	-	168-021	-	-	-	-
B29	Split pin	Ø 3.2x20	1	301-011	301-011	-	Ø 3x25	1	301-020	301-020
B29	Split pin	Ø 3x25	1	-	-	301-020	-	-	-	-
¹⁾	Only as a package B21-B23		2	164-510-01	164-510-01	164-510-01	-	2	164-511-01	164-511-01
²⁾	Only as an assembly B24-B25, B27-B29		1	174-551-01	174-551-01	174-546-01	-	1	174-549-01	174-549-01

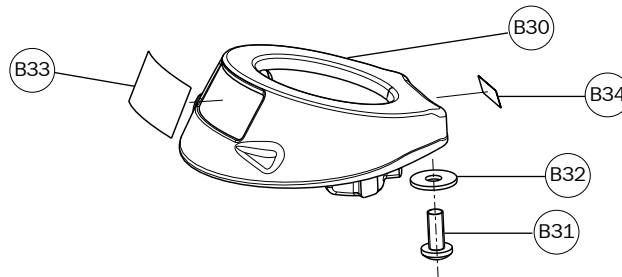


Deck collar

Description B

		Serie 200					Serie 300			
				Forestay wire size					Forestay wire size	
Item	Description	Dimension	Qty	Ø 6 mm	Ø 7 mm	Ø 8 mm	Dimension	Qty	Ø 8 mm	Ø 10 mm
		Assembly number →		539-720-01	539-720-01	539-720-01	Assembly number →		539-730-01	539-730-01
B30	Deck collar	Ø 130x50	1	539-720 ¹⁾	539-720 ¹⁾	539-720 ¹⁾	Ø 140x63	1	539-730 ¹⁾	539-730 ¹⁾
B31	Screw	MRT 8x25	4	155-096	155-096	155-096	MRT 8x30	4	151-043	151-043
B32	Washer	Ø 24/8,4-2	4	164-514	164-514	164-514	Ø 24/8,4-2	4	164-514	164-514
B33	Lable	200TD 60x25	1	591-650	591-650	591-650	300TD 70x28	1	591-651	591-651
B34	Lable	200TD 30x8	1	591-652	591-652	591-652	300TD 33x10	1	591-653	591-653

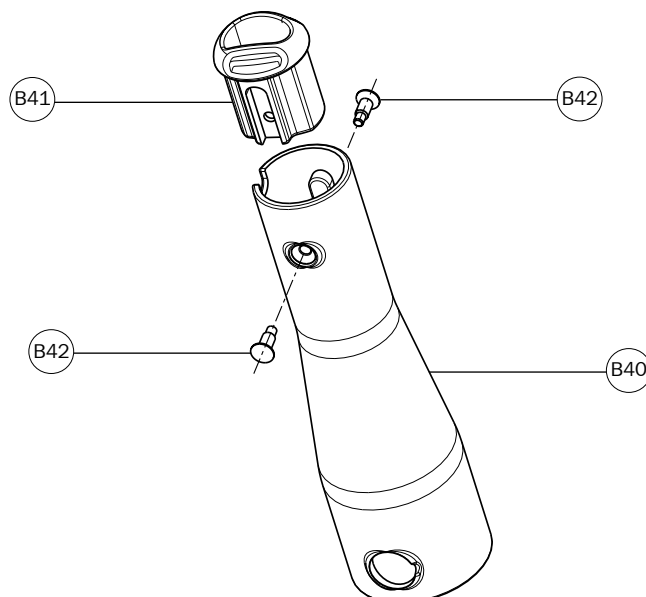
¹⁾	Only as a package B30-34	-	539-720-01	539-720-01	539-720-01	-	-	539-730-01	539-730-01
---------------	--------------------------	---	------------	------------	------------	---	---	------------	------------



Torque tube

Description B

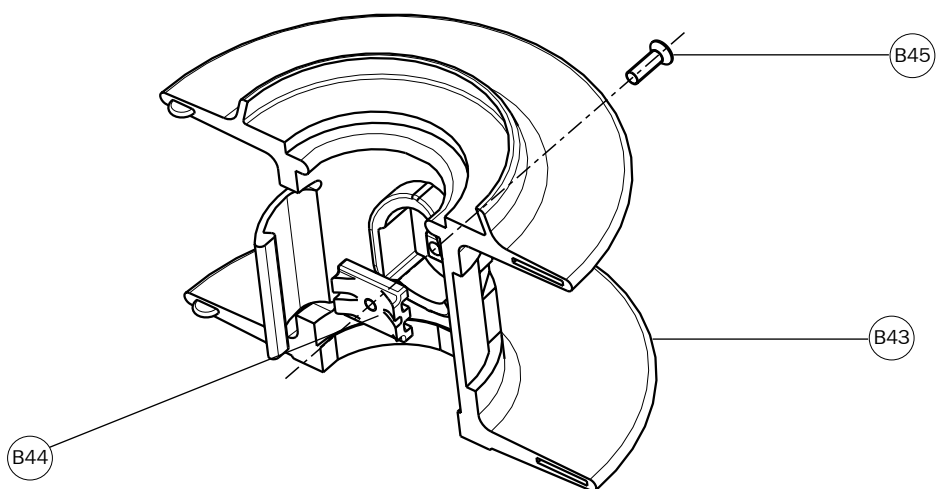
		Serie 200					Serie 300			
				Forestay wire size					Forestay wire size	
Item	Description	Dimension	Qty	Ø 6 mm	Ø 7 mm	Ø 8 mm	Dimension	Qty	Ø 8 mm	Ø 10 mm
		Assembly number →		539-726-01	539-726-01	539-726-01	Assembly number →		539-736-01	539-736-01
B40	Torque tube	Ø 65x255	1	539-726	539-726	539-726	Ø 75X265	1	539-736	539-736
B41	Adapter	Ø 45x55	1	539-727	539-727	539-727	Ø 55x65	1	539-737	539-737
B42	Luff screw	M6x17	2	162-076	162-076	162-076	M6x21	4	162-077	162-077



Line drum half

Description B

		Serie 200					Serie 300			
		Dimension	Qty	Forestay wire size			Dimension	Qty	Forestay wire size	
Ø 6 mm	Ø 7 mm			Ø 8 mm	Ø 8 mm	Ø 10 mm				
		Assembly number →		539-557-03	539-557-03	539-557-03	Assembly number →		539-275-01	539-275-01
B43	Line drum half	Ø 180x111	1	539-557	539-557	539-557	Ø 210x124	-	539-275	539-275
B44	Furling line lock	22x27	1	539-256	539-256	539-256	22x27	2	539-256	539-256
B45	Screw	MFT 5x16	1	162-029	162-029	162-029	MFT 5x20	1	162-026	162-026

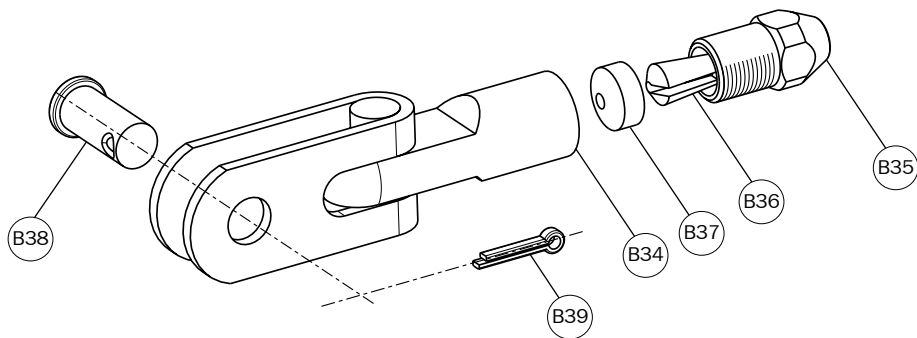


Wireterminal with toggle

Description B

Item	Description	Serie 200					Serie 300			
		Dimension	Qty	Forestay wire size			Dimension	Qty	Forestay wire size	
		Assembly number →	301-133-11	301-134-11	301-135-11	Assembly number →	301-135-11	301-122-11		
B34	Wireterm. w. toggle	Ø 6	1	301-133 ¹⁾	-	-	Ø 8	1	301-135 ¹⁾	-
B34	Wireterm. w. toggle	Ø 7	1	-	301-134 ¹⁾	-	Ø 10	1	-	301-122 ¹⁾
B34	Wireterm. w. toggle	Ø 8	1	-	-	301-135 ¹⁾	-	-	-	-
B35	Socket	Sta-lok wire Ø 6	1	301-194	-	-	Sta-lok wire Ø 8	1	301-196	-
B35	Socket	Sta-lok wire Ø 7	1	-	301-195	-	Sta-lok wire Ø 10	1	-	301-197
B35	Socket	Sta-lok wire Ø 8	1	-	-	301-196	-	-	-	-
B36	Wedge	L=33	1	301-152	-	-	L=42	1	301-154	-
B36	Wedge	L=36	1	-	301-153	-	L=50	1	-	301-155
B36	Wedge	L=42	1	-	-	301-154	-	-	-	-
B37	Former	Ø 13.4	1	301-157	-	-	Ø 16,3	1	301-159	-
B37	Former	Ø 14.8	1	-	301-158	-	Ø 19,2	1	-	301-163
B37	Former	Ø 16.3	1	-	-	301-159	-	-	-	-
B38	Clevis pin	Ø 10x22	1	165-202	-	-	Ø 14x31	1	165-501	-
B38	Clevis pin	Ø 12x25	1	-	165-401	-	Ø 16x34	1	-	165-560
B38	Clevis pin	Ø 14x31	1	-	-	165-501	-	-	-	-
B39	Split pin	Ø 2.9x16	1	301-049	-	-	Ø 3.7x20	1	301-053	301-053
B39	Split pin	Ø 2.9x18	1	-	301-050	-	-	-	-	-
B39	Split pin	Ø 3.7x20	1	-	-	301-053	-	-	-	-

¹⁾	Only as an assembly B34-B39	1	301-133-11	301-134-11	301-135-11	-	1	301-135-11	301-122-11
---------------	-----------------------------	---	------------	------------	------------	---	---	------------	------------



Line guard bracket assembly

Description C

		Serie 200					Serie 300			
				Forestay wire size					Forestay wire size	
Item	Description	Dimension	Qty	Ø 6 mm	Ø 7 mm	Ø 8 mm	Dimension	Qty	Ø 8 mm	Ø 10 mm
		Assembly number →		539-559-01	539-559-01	539-559-01	Assembly number →		539-259-01	539-259-01
C1	Line guard bracket	190x82	1	539-559 ¹⁾	539-559 ¹⁾	539-559 ¹⁾	211x30	1	539-259 ¹⁾	539-259 ¹⁾
C3	Cover	Ø 182x78	1	539-580 ²⁾	539-580 ²⁾	539-580 ²⁾	Ø 200x96	1	539-280 ²⁾	539-280 ²⁾
C4	Line guard	132x78	1	539-571	539-571	539-571	159x97	1	539-271	539-271
C5	Line guard saver	9/8-77	2	539-028	539-028	539-028	9/8-95	2	539-225	539-225
C6	Screw	MRT 6x14	1	155-623	155-623	155-623	MRT 6x14	1	155-623	155-623
C7	Locking nut	M6	1	158-005	158-005	158-005	M6	1	158-005	158-005
C8	Pop rivet	Ø 4,8X11,2	1	167-030	167-030	167-030	Ø 4,8X11,2	1	167-030	167-030
C9	Washer	Ø 10/5,3-1	1	164-426	164-426	164-426	Ø 10/5,3-1	1	164-426	164-426
C10	Label	22X210	2	591-368	591-368	591-368	28X238	2	591-359	591-359

1)	Only as an assembly C1, C6-C7	1	539-559-02	539-559-02	539-559-02	-	1	539-259-02	539-259-02
2)	Only as an assembly C3-C10	1	539-580-01	539-580-01	539-580-01	-	1	539-280-01	539-280-01

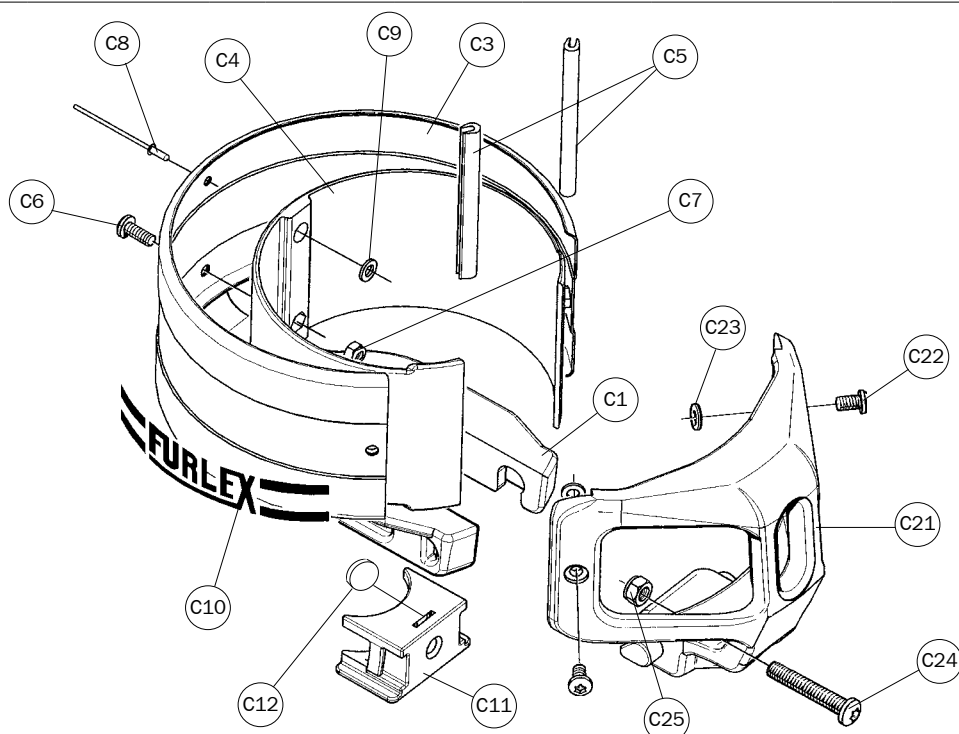
		Assembly number →		539-577-01	539-577-01	539-577-01	Assembly number →		539-277-01	539-277-01
C11	Lock block	42X24	1	539-577	539-577	539-577	54X30	1	539-277	539-277
C12	Disc	Ø 15x2,5	1	539-279	539-279	539-279	Ø 15x2,5	1	539-279	539-279

Line guide fitting assembly

Description C

		Assembly number →		539-560-01	539-560-01	539-560-01	Assembly number →		539-260-01	539-260-01
C21	Line guide fitting	114x60	1	539-560 ³⁾	539-560 ³⁾	539-560 ³⁾	190x145	1	539-260 ³⁾	539-260 ³⁾
C22	Screw	MRT 6x10	2	155-609	155-609	155-609	MRT 6x12	2	155-613	155-613
C23	Retaining washer	M6	2	164-053	164-053	164-053	M6	2	164-053	164-053
C24	Screw	MRT 6x40	1	155-801	155-801	155-801	MRT 8x50	1	155-805	155-805
C25	Locking nut	M6	1	158-005	158-005	158-005	M8	1	158-006	158-006

3)	Only as an assembly C21-C25
----	-----------------------------



Lower luff extrusion 800/770 mm

Description D

		Serie 200					Serie 300			
				Forestay wire size					Forestay wire size	
Item	Description	Dimension	Qty	Ø 6 mm	Ø 7 mm	Ø 8 mm	Dimension	Qty	Ø 8 mm	Ø 10 mm
D1	Luff extrusion	31/21 L=800	1	539-728 ¹⁾	539-728 ¹⁾	539-728 ¹⁾	39/27 L=770	1	539-738 ¹⁾	539-738 ¹⁾
D2	Joint Sleeve	17/17 L=950	1	539-729 ²⁾	539-729 ²⁾	539-729 ²⁾	22/22 L=970	1	539-739 ²⁾	539-739 ²⁾
D3	Insulator	L=950	1	539-741	539-741	539-741	L=970	1	539-740	539-740
D4	Pin	Ø 5x20	1	166-211	166-211	166-211	Ø 5x25	1	166-212	166-212
D5	Sail feeder	50x22	1	539-598 ³⁾	539-598 ³⁾	539-598 ³⁾	75x40	1	539-298 ³⁾	539-298 ³⁾
D6	Sail feeder connector	50x22	1	539-599 ³⁾	539-599 ³⁾	539-599 ³⁾	75x40	1	539-299 ³⁾	539-299 ³⁾
D7	Screw	MCS 4x8	2	155-959	155-959	155-959	MCS 4x8	2	155-959	155-959
D8	Connecting plate	108x11	1	539-562	539-562	539-562	146X13	1	539-262	539-262

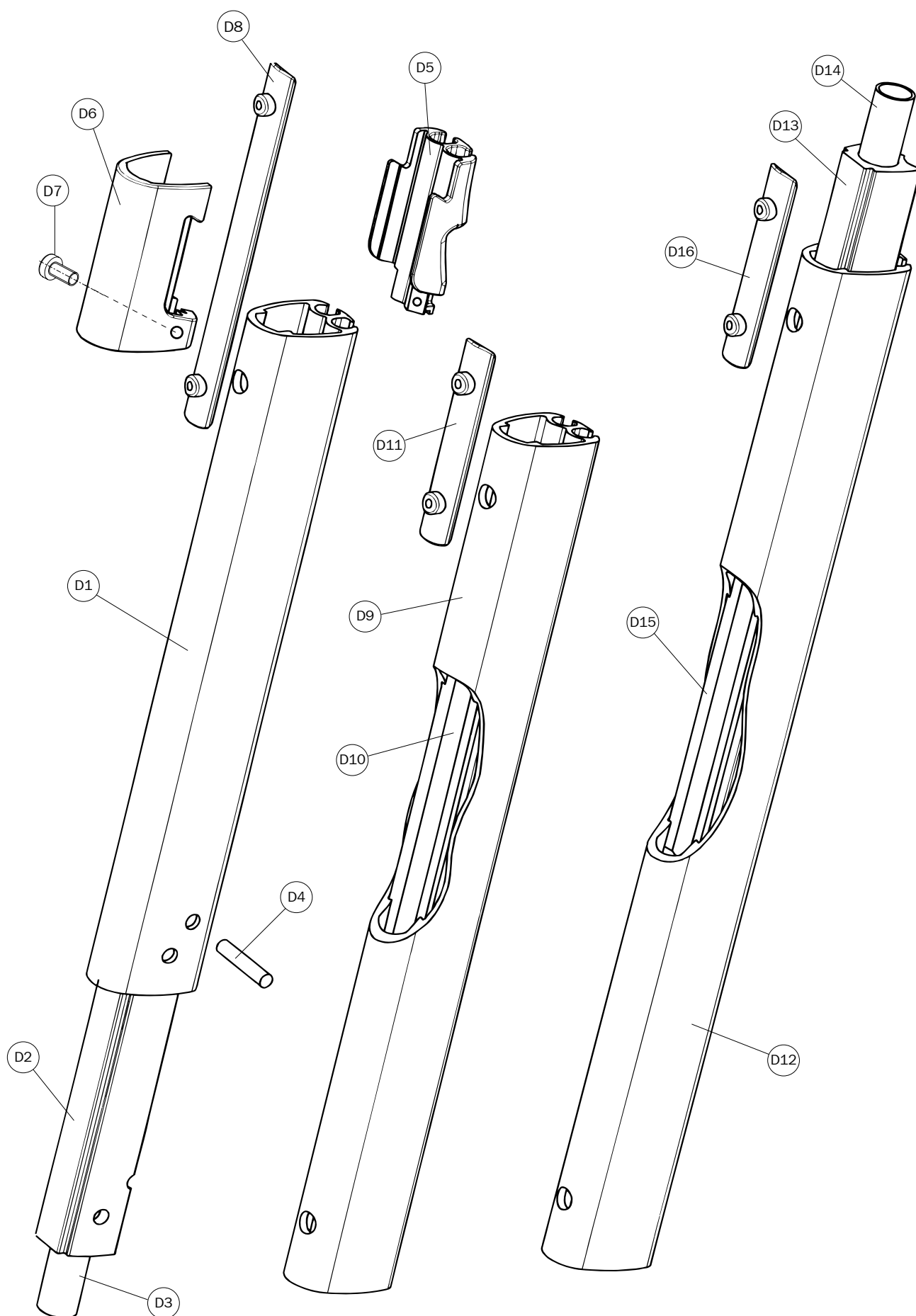
Luff extrusion 2000 mm

D9	Luff extrusion	31/21 L=2000	1	539-564 ⁴⁾	539-564 ⁴⁾	539-564 ⁴⁾	39/27 L=2000	1	539-264 ⁴⁾	539-264 ⁴⁾
D10	Distance tube	17/15 L=1800	1	539-589	539-589	539-589	17/17 L=1750	1	539-289	539-289
D11	Connecting plate	58x11	1	539-561	539-561	539-561	74x13	1	539-261	539-261

Luff extrusion 2400 mm

D12	Luff extrusion	31/21 L=2400	1	539-565 ⁵⁾	539-565 ⁵⁾	539-565 ⁵⁾	39/27 L=2400	1	539-265 ⁵⁾	539-265 ⁵⁾
D13	Joint Sleeve	17/17 L=200	1	539-566 ⁶⁾	539-566 ⁶⁾	539-566 ⁶⁾	22/22 L=250	1	539-266 ⁶⁾	539-266 ⁶⁾
D14	Insulator	L=200	1	539-537	539-537	539-537	L=250	1	539-237	539-237
D15	Distance tube	17/15 L=2200	1	539-590	539-590	539-590	17/17 L=2150	1	539-290	539-290
D16	Connecting plate	58x11	1	539-561	539-561	539-561	74x13	1	539-261	539-261

¹⁾	Only as an assembly D1-D4, D8	1	539-728-01	539-728-01	539-728-01	-	1	539-738-01	539-738-01
²⁾	Only as an assembly D2-D3	1	539-729-02	539-729-02	539-729-02	-	1	539-739-02	539-739-02
³⁾	Only as an assembly D5-D7	1	539-598-01	539-598-01	539-598-01	-	1	539-298-01	539-298-01
⁴⁾	Only as an assembly D9-D11	1	539-564-01	539-564-01	539-564-01	-	1	539-264-01	539-264-01
⁵⁾	Only as an assembly D12-D16	1	539-565-06	539-565-06	539-565-06	-	1	539-265-06	539-265-06
⁶⁾	Only as an assembly D13-D14	1	539-566-01	539-566-01	539-566-01	-	1	539-266-01	539-266-01



Additional items

Description E

		Serie 200					Serie 300				
					Forestay wire size					Forestay wire size	
Item	Description	Dimension	Qty	Ø 6 mm	Ø 7 mm	Ø 8 mm	Dimension	Qty	Ø 8 mm	Ø 10 mm	
E1	Forestay wire pack	L=13000	1	601-004-62	-	-	L=15500	1	601-006-63	-	
E1	Forestay wire pack	L=15400	1	601-004-63	601-005-62	601-006-61	L=17900	1	601-006-64	601-008-62	
E1	Forestay wire pack	L=17800	1	-	601-005-63	601-006-62	L=20300	1	-	601-008-63	
E2	Top bearing	17/18 L=175	1	539-591	539-591	539-591	22/22 L=120	1	539-291	539-291	
E3	Bush	Ø 12/6,6 - 18	1	306-911	-	-	Ø 16/8,8 - 25	1	306-914	-	
E3	Bush	Ø 12/7,7 - 18	1	-	306-912	-	Ø 16/11 - 25	1	-	306-915	
E3	Bush	Ø 12/8,8 - 18	1	-	-	306-913	-	-	-	-	
E4	Furling line	Ø 8 L=25000	1	612-034-12	612-034-12	612-034-12	Ø 10 L=28000	1	612-035-12	612-035-12	

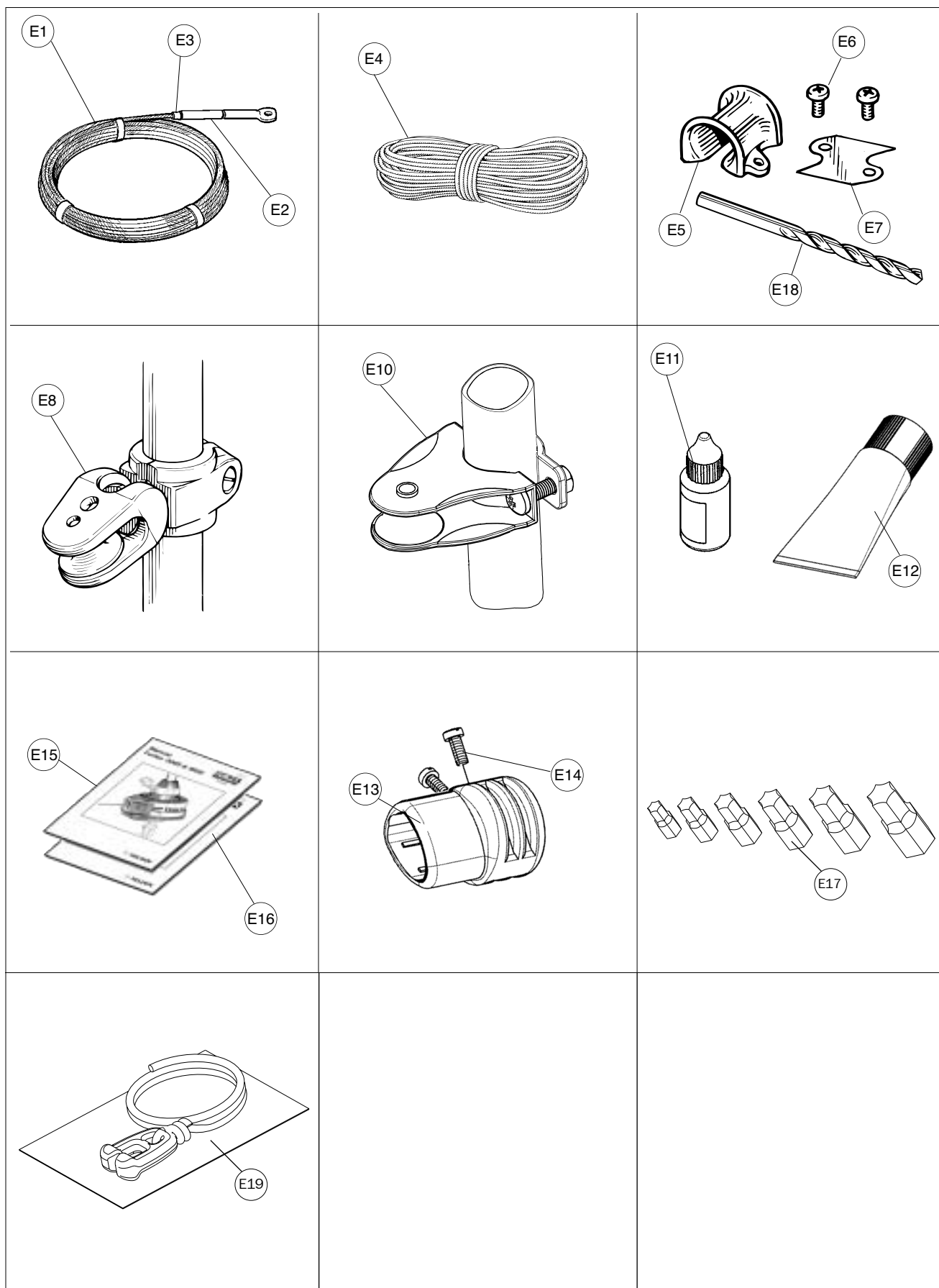
	Halyard lead set	Assembly number →	508-159-03	508-159-03	508-159-03	Assembly number →	508-128-03	508-128-03		
E5	Halyard lead	Ø 14-35	1	508-159 ¹⁾	508-159 ¹⁾	508-159 ¹⁾	Ø 20-57	1	508-128 ¹⁾	508-128 ¹⁾
E6	Selftapping screw	MRX-TT 6x12	2	155-703 ¹⁾	155-703 ¹⁾	155-703 ¹⁾	Ø 10	1	155-703 ¹⁾	155-703 ¹⁾
E7	Insulator	35x41	1	530-632 ¹⁾	530-632 ¹⁾	530-632 ¹⁾	60x54	1	530-627 ¹⁾	530-627 ¹⁾

E8	Stanchion block	For Ø 25	1	538-971-01	538-971-01	538-971-01	For Ø 25	1	538-971-01	538-971-01
E8	Stanchion block 4-pack	For Ø 25	4	538-971-02	538-971-02	538-971-02	-	-	-	-
E10	Stanchion block st.st.	-	-	-	-	-	For Ø 25	1	538-210-01	538-210-01
E10	Stanchion block st.st.	-	-	-	-	-	For Ø 30	1	538-210-02	538-210-02
E11	Locking adhesive	≈ 10g	1	312-305	312-305	312-305	≈ 10g	1	312-305	312-305
E12	Lubricating grease	≈ 100g	1	312-501	312-501	312-501	≈ 100g	1	312-501	312-501
E13	Top Guard	Ø 44x60	1	539-586 ²⁾	539-586 ²⁾	539-586 ²⁾	Ø 52x70	1	539-286 ²⁾	539-286 ²⁾
E14	Screw	RXS Z4,8x9,5	1	171-019 ²⁾	171-019 ²⁾	171-019 ²⁾	RXS Z4,8x9,5	1	171-019 ²⁾	171-019 ²⁾
E15	Manual (Swedish)	A4	1	595-231-S	595-231-S	595-231-S	A4	1	595-231-S	595-231-S
E15	Manual (English)	A4	1	595-231-E	595-231-E	595-231-E	A4	1	595-231-E	595-231-E
E15	Manual (German)	A4	1	595-231-T	595-231-T	595-231-T	A4	1	595-231-T	595-231-T
E16	Spare parts list	A4	1	595-232-E	595-232-E	595-232-E	A4	1	595-232-E	595-232-E
E17	Torx bit set	T15/20/25/30/40/45	1	592-087	592-087	592-087	T15/20/25/30/40/45	1	592-087	592-087

E18	Drillbit	Ø 5,3	1	592-006 ¹⁾	592-006 ¹⁾	592-006 ¹⁾	Ø 5,3	1	592-006 ¹⁾	592-006 ¹⁾
-----	----------	-------	---	-----------------------	-----------------------	-----------------------	-------	---	-----------------------	-----------------------

E19	Prefeeder pack	38x29	1	505-538-01	505-538-01	505-538-01	38x29	1	505-538-01	505-538-01
-----	----------------	-------	---	------------	------------	------------	-------	---	------------	------------

¹⁾	Only as a package E5-E7, E18	1	508-159-03	508-159-03	508-159-03		1	508-128-03	508-128-03
²⁾	Only as a package E13-E14	1	539-586-01	539-586-01	539-586-01		1	539-286-01	539-286-01



DINGHIESKEELBOATSYACHTS

Seldén Mast AB, Sweden
Tel +46 (0)31 69 69 00
Fax +46 (0)31 29 71 37
e-mail info@seldenmast.com

Seldén Mast Limited, UK
Tel +44 (0) 1329 504000
Fax +44 (0) 1329 504049
e-mail info@seldenmast.co.uk

Seldén Mast Inc., USA
Tel +1 843-760-6278
Fax +1 843-760-1220
e-mail info@seldenus.com

Seldén Mast A/S, DK
Tel +45 39 18 44 00
Fax +45 39 27 17 00
e-mail info@seldenmast.dk

Seldén Mid Europe B.V., NL
Tel +31 (0) 111-698 120
Fax +31 (0) 111-698 130
e-mail info@seldenmast.nl

Seldén Mast SAS, FR
Tel +33 (0) 251 362 110
Fax +33 (0) 251 362 185
e-mail info@seldenmast.fr

www.seldenmast.com

Dealer:

The Seldén Group is the world's leading manufacturer of masts and rigging systems in carbon and aluminium for dinghies, keelboats and yachts. The Group consists of Seldén Mast AB in Sweden, Seldén Mast A/S in Denmark, Seldén Mast Ltd in the UK, Seldén Mid Europe B.V. in the Netherlands, Seldén Mast SAS in France and Seldén Mast Inc in the USA. Our well known brands are Seldén and Furlex. The worldwide success of Furlex has enabled us to build a network of over 750 authorised dealers covering the world's marine markets. So wherever you sail, you can be sure of fast access to our service, spare parts and know-how.

 **SELDÉN**