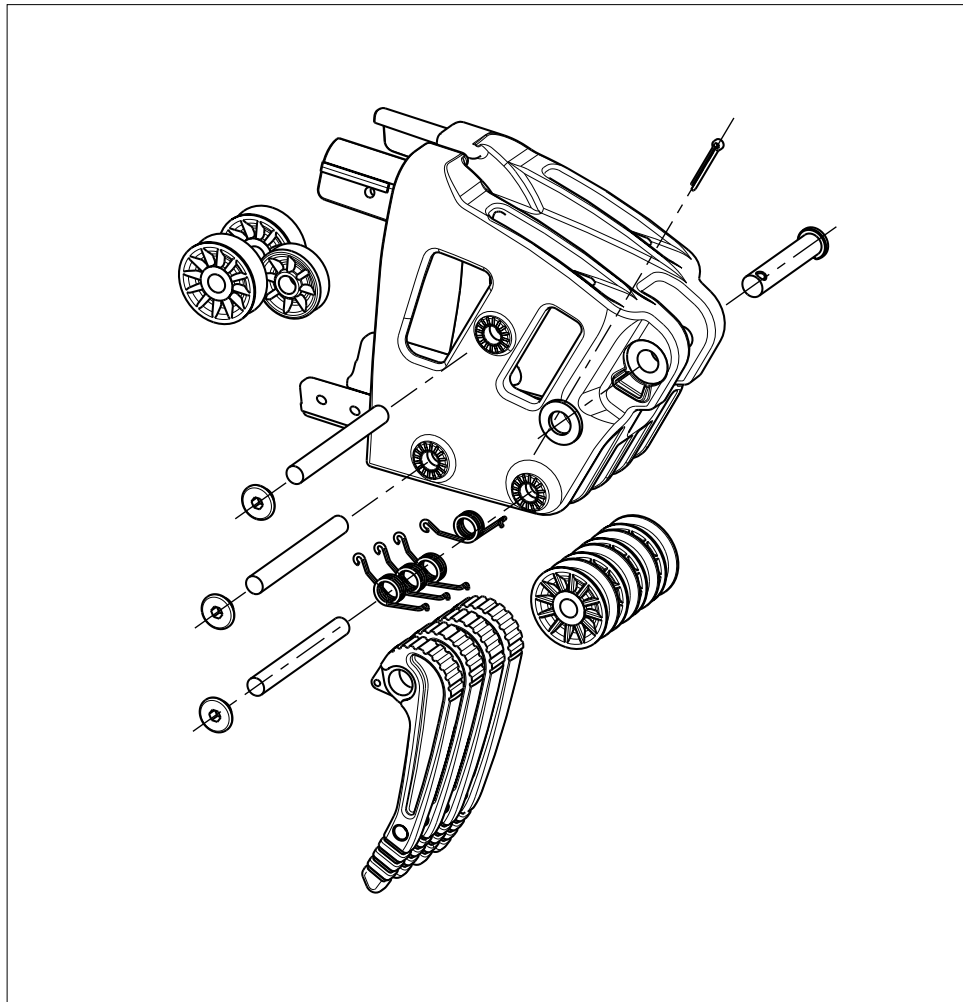


# Spare Parts List - Boom From 2008

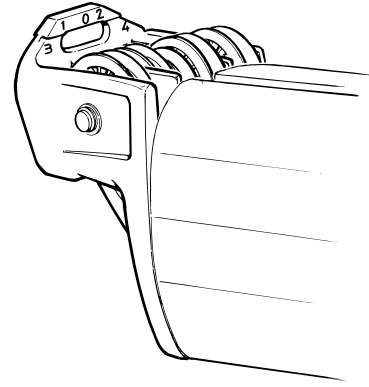


# General information

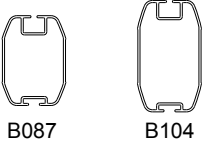
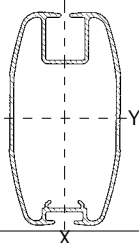
This Part List does not list the variations, but gives the maximum quantities that each boom end-fitting can be fitted with for each part number. The boom end-fittings can thus easily be fitted with supplementary parts at a later date. Because the same spareparts drawing is used for all gooseneck end-fittings or for all outboard end-fittings, more items are often shown on the drawing than can actually be fitted.

Nor are the spares drawings necessarily identical to the parts listed.


*"Inboard and Outboard boom end" have numbers and letters marked at most of the sheave slots. Outhaul normally use the o-slot, Reef 1 the 1-slot, Reef 2 the 2-slot.*



## Boom specifications

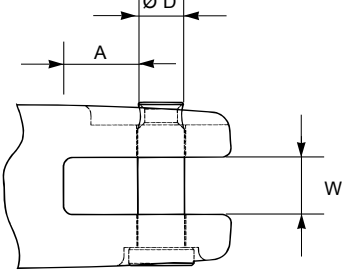
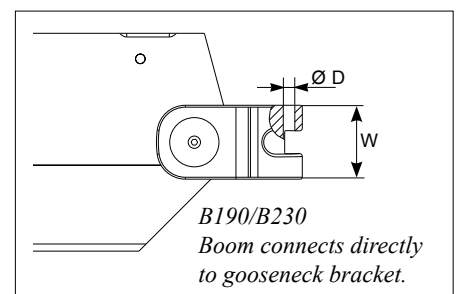
	Boom Section dim., mm height/width	$I_y$ cm <sup>4</sup>	$I_x$ cm <sup>4</sup>	Wall thickness mm	Weight kg/m	$W_y^{min}$ cm <sup>3</sup>	$W_x^{min}$ cm <sup>3</sup>	Sail groove mm
 B087      B104	B087	60.2	27.7	2.0	1.7	13.4	9.3	4.5
	B104	97.5	33.6	2.0	1.9	18.5	11.2	4.5
	B120	155	42.5	1.8	2.12	24.8	13.7	5.5 ± 0.75
	B135	265	70	2.0-2.8	2.66	39	19.5	5.8 ± 0.75
	B152	433	126	2.5-2.9	3.59	54.2	30.4	5.8 ± 0.75
	B171	726	189	2.3-3.2	4.66	80.6	41.2	5.5 ± 0.75
	B200	1280	343	3.1	5.88	121.5	61.3	6.25 ± 0.75
	B250	2706	692	3.2	7.95	200.1	101.3	6.25 ± 0.75
	B300							

## Match boom specifications

	Boom Section dim., mm height/width	$I_y$ cm <sup>4</sup>	$I_x$ cm <sup>4</sup>	Wall thickness mm	Weight kg/m	$W_y^{min}$ cm <sup>3</sup>	$W_x^{min}$ cm <sup>3</sup>	Sail groove mm
	B190	732	94	2.5-2.7	4.86	74.3	31	5.8 ± 0.75
	B230	1399	176	2.7-3.6	6.58	117.8	50.5	6.25 ± 0.75

## Dimensions inboard boom end

Boom section	A mm	D mm	W mm
B087	8	8	15
B104	8	8	15
B120	14	10	20
B135	14	12	20
B152	14	12	20
B171	16	12	20
B200	20	16	30
B250	18	16	30
B300	30	16	30
B190	-	12.2	78
B230		12.2	78

Seldén Mast AB reserves the right to alter the design or specification without prior warning, to allow unrestricted future product development.

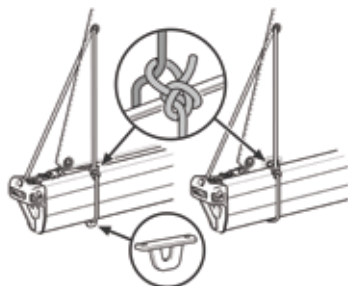
# Contents

	<i>Page</i>
<b>General information</b>	2
<b>Table of booms</b>	2
<b>Spare parts inboard and outboard ends</b>	
<i>B087 &amp; B104</i>	4
<i>B120</i>	5-7
<i>B135 &amp; B152</i>	8
<i>B171 &amp; B200</i>	9
<i>B250</i>	10-11
<i>B190 &amp; B230</i>	12-13
<i>B300</i>	<i>No information available</i>
<b>Outhauls</b>	
<i>Conventional outhaul</i>	14-15
<i>In-mast furling outhaul</i>	14-15
<i>Cars</i>	15
<b>Sliders</b>	
<i>Mainsheet sliders</i>	16-17
<i>Kicker sliders</i>	16-17
<b>Single line reef</b>	18-19

## Reef line knot

### IMPORTANT!

The reefing line is tied as illustrated, with a bowline and running noose. No. 1 reef is shown. Note that grommets are required along the foot for each reef.



## Inboard boom end

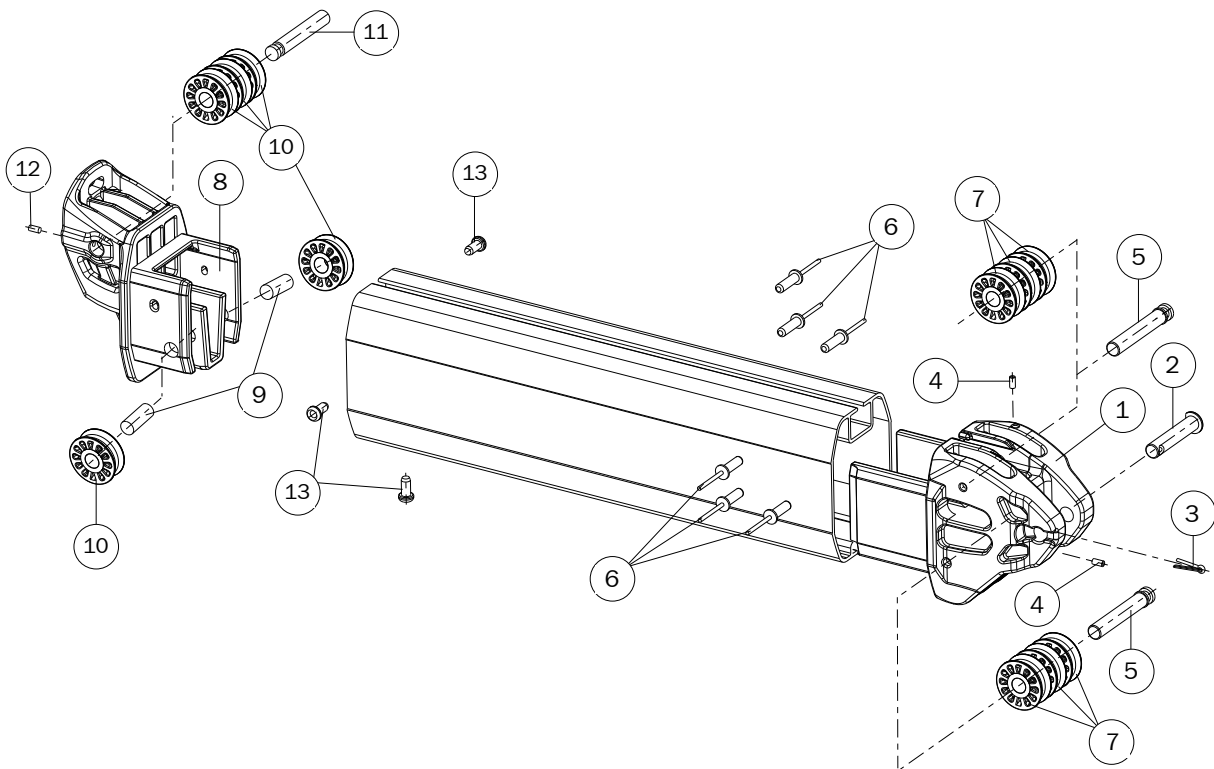
Item	Discription	Boom dimension B087			Boom dimension B104		
		Dimension	Qty	Part No.	Dimension	Qty	Part No
1	Inboard end fitting	87/60	1	509-079	104/60	1	509-080
2	Clevis pin, D head	Ø 8 x 40	1	165-128	Ø 8 x 40	1	165-128
3	Split pin	Ø 2.3 x 12	1	301-047	Ø 2.3 x 12	1	301-047
4	Grub screw	M3	2	153-124	M3	2	153-124
5	Shaft, one groove	Ø 8/9-53.5	2	166-275	Ø 8/9-53.5	2	166-275
6	Pop rivet	LD665 (Ø 4.8x16.5)	6	167-006	LD665 (Ø 4.8x16.5)	6	167-006
7	Sheave	Ø 28/8-10	6 <sup>2)</sup>	504-375	Ø 35/8-10	6 <sup>2)</sup>	504-362

## Outboard boom end

Item	Discription	Boom dimension B087			Boom dimension B104		
		Dimension	Qty	Part No.	Dimension	Qty	Part No
8	Outboard end fitting	87/60	1	500-072	104/60	1	500-073
9	Pin	Ø 8 x 20	2	166-072	Ø 8 x 20	2	166-072
10	Sheave	Ø 28/8-10	5 <sup>1)</sup>	504-375	Ø 35/8-10	5 <sup>1)</sup>	504-362
11	Shaft, one groove	Ø 8 x 51.5	1	166-250	Ø 8 x 51.5	1	166-250
12	Grub screw	M3	2	153-124	M3	2	153-124
13	Screw, self tap.	RTS 4.8 x 13	3	171-007	RTS 4.8 x 13	3	171-007

1) Only two outer sheave slots of the three on the upper face on the outboard end-fitting should be used for luff reefing arrangements.

2) The sheave in central slot is only for use on boats with a Gnav system.



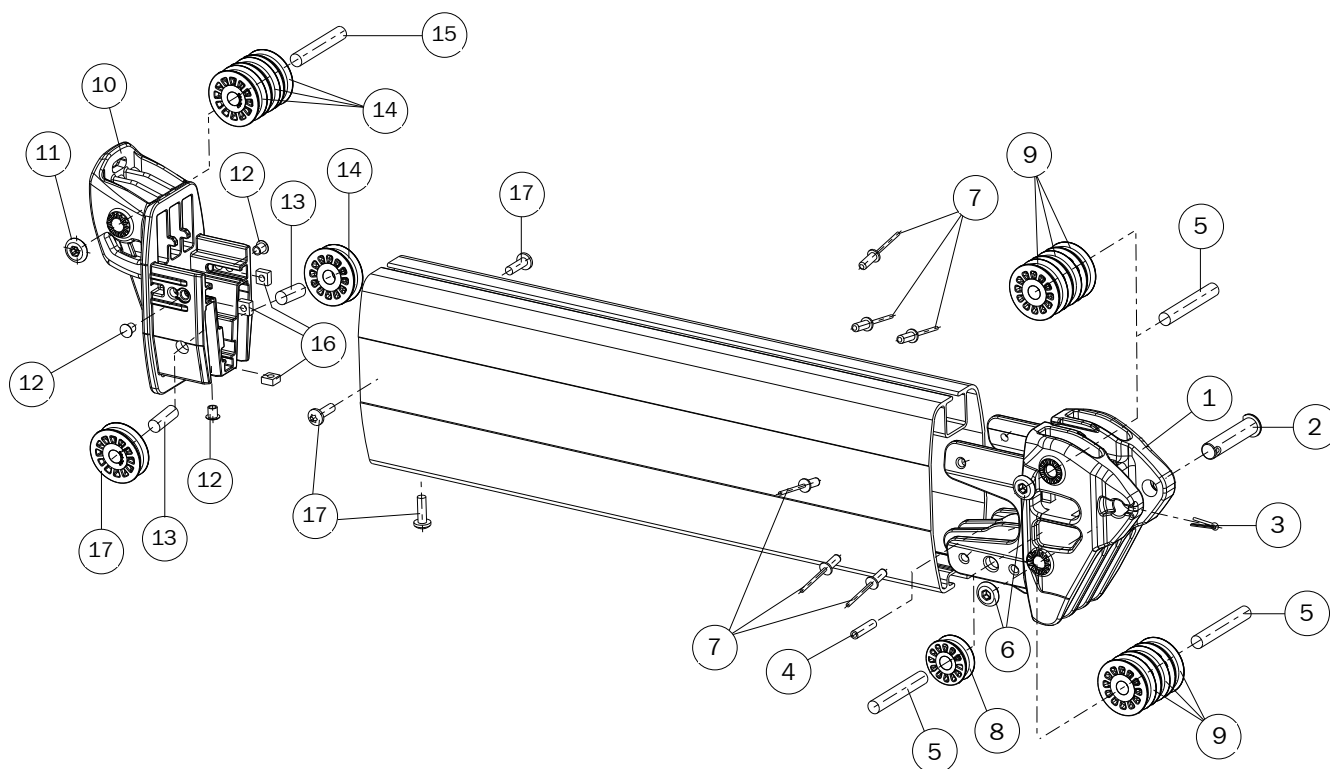
## Inboard boom end (from 2008)

		Boom dimension B120		
Item	Discription	Dimension	Qty	Part No.
1	Inboard end fitting	120/62	1	509-044
2	Clevis pin, D head	Ø 10 x 45	1	165-129
3	Split pin	Ø 2.3 x 12	1	301-047
4	Spirol pin	Ø 5 x 20	2	166-663
5	Pin	Ø 8 x 52	3	166-441
6	Retaining plug	Ø 8	2	319-872
7	Pop rivet	LD665 (Ø 4.8x16.5)	6	167-004
8	Sheave	Ø 28/8-10	1	504-375
9	Sheave	Ø 35/8-10	6	504-362

## Outboard boom end (from 2008)

		Boom dimension B120		
Item	Discription	Dimension	Qty	Part No.
10	Outboard end fitting	120/62	1	500-038
11	Retaining plug	Ø 8	1	319-872
12	Plug	Ø 8/5.5-7.5	3	319-650
13	Pin	Ø 8 x 20	2	166-072
14	Sheave	Ø 35/8-10	5 <sup>1)</sup>	504-362
15	Pin	Ø 8 x 48	1	166-440
16	Square nut	M5	3	157-511
17	Screw	Ø 5 x 16	3	155-807

1) Only two outer sheave slots of the three on the upper face on the outboard end-fitting should be used for luff reefing arrangements.



## Inboard boom end (up to 2008)

		Boom dimension B120 jam levers		
Item	Description	Dimension	Qty	Part no.
1	Inboard boom end fitting	120/62	1	509-025
2	Clevis pin	Ø 10x50	1	165-206
3	Split pin	Ø 2.9x16	1	301-049
4	Pin	Ø 10x72	1	166-326
5	Washer	Ø 20/10-0.8	2 <sup>1)</sup>	164-028
6	Circular clip	Ø 12/9	2	301-073
7	Separator	44x150x2	2	537-152
8	Sheave	Ø 45/10-11	4	504-504
9	Pin	Ø 10x72	1	166-326
10	Washer	Ø 20x10-0.8	2 <sup>1)</sup>	164-028
11	Circular clip	Ø 12/9	2	301-073
12	Jam lever	11x120	4	511-074
13	Flange bushing	Ø 15/12/10-5.5	8	306-327
14	Spring	Ø 1.8/Dy15/L8/N4.13	4	308-062
15	Plug - White	Ø 8	1	319-529
15	Plug - Blue	Ø 8	1	319-530
15	Plug - Red	Ø 8	1	319-531
15	Plug - Yellow	Ø 8	1	319-532
15	Plug - Green	Ø 8	1	319-533
15	Plug - Black	Ø 8	1	319-534
16	Pin	Ø 10x66	1	166-325
17	Washer	Ø 20/10-0.8	2 <sup>1)</sup>	164-028
18	Circular clip	Ø 12/9	2	301-073
19	Sheave	Ø 38/10-11	2	504-505
20	Clevis pin	Ø 8x27	1	165-113
21	Split pin	Ø 2.5x12	1	301-047
22	Sheave	Ø 28x8-13	1	504-319
23	Poprivet LD 850	Ø 6.4x12.7	4	167-004
24	Plug	Ø 14/8-12	2	319-596
25	Plug	Ø 14/8-12	2	319-596
26	Plug	Ø 14/8-12	2	319-596
27	Plug	Ø 12/4.5-11	2	319-596

1) Plastic washers are only intended as spacers to fill out possible gaps between locking rings and fittings. Correct quantities cannot therefore be specified. The table shows the recommended quantity of plastic washers when retro-fitting.

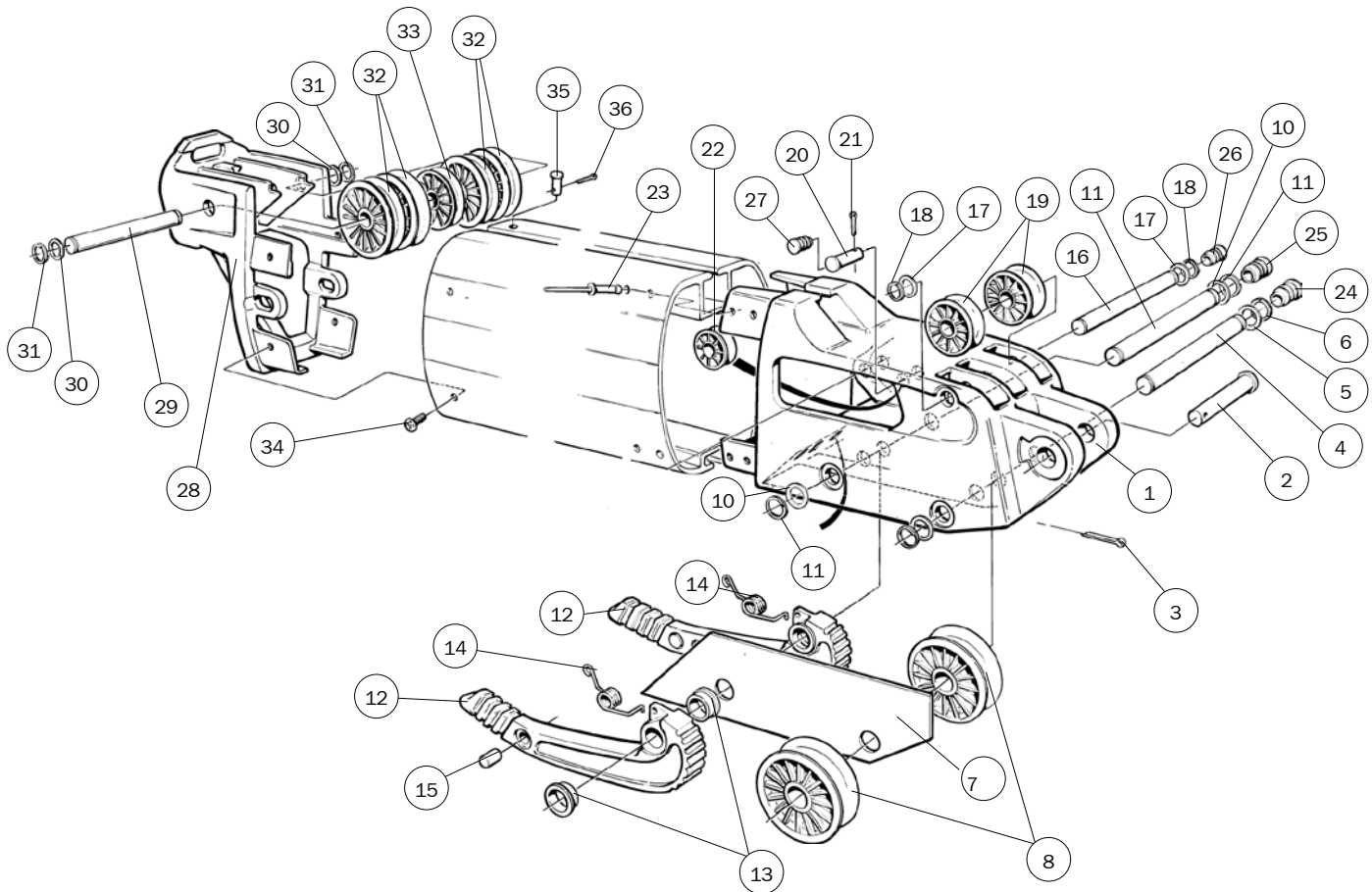
2) Only two outer sheave slots of the three on the upper face on the outboard end-fitting should be used for luff reefing arrangements.

## Outboard boom end (up to 2008)

		Boom dimension B120 jam levers		
Item	Description	Dimension	Qty	Part no.
28	Outboard boom end fitting	120/62	1	500-021
29	Pin	Ø 10x66	1	166-325
30	Washer	Ø 20/10-0,8	1 <sup>1)</sup>	164-028
31	Circular clip	Ø 12/9	2	301-073
32	Sheave	Ø 45/10-11	3	504-504
33	Sheave <sup>2)</sup>	Ø 38/10-11	1	504-505
34	Screw	MRX 6x12	2	155-613
35	Clevis pin	Ø 5x28	1	165-601
36	Split pin	Ø 2x10	1	301-046

1) Plastic washers are only intended as spacers to fill out possible gaps between locking rings and fittings. Correct quantities cannot therefore be specified. The table shows the recommended quantity of plastic washers when retro-fitting.

2) For wire outhaul must be fitted together with 2 of 504-504 (item 44).

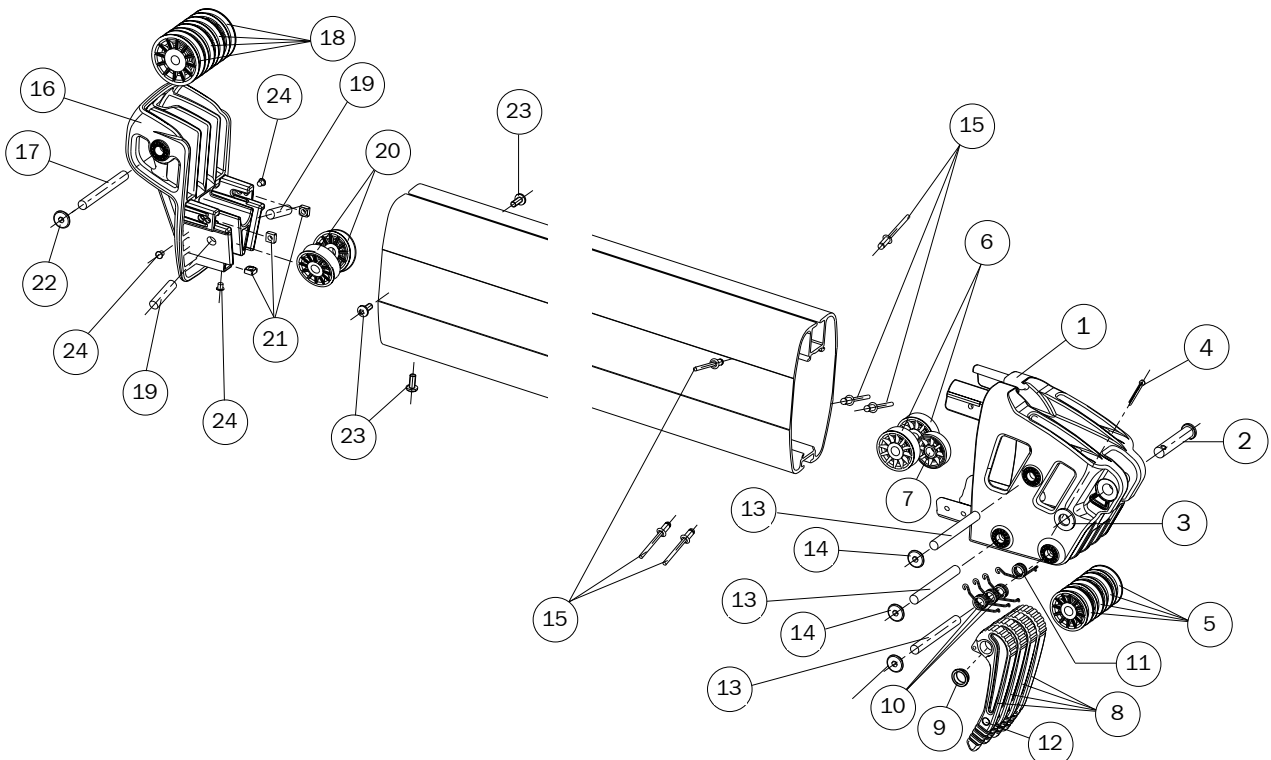


## Inboard boom end

Item	Description	Boom dimension B135			Boom dimension B152		
		Dimension	Qty	Part no.	Dimension	Qty	Part no.
1	Inboard boom end fitting	135/72	1	509-039	152/84	1	509-040
2	Clevis pin	Ø 12x 61 (Hole Ø 4.5)	1	165-413	Ø 12x 61 (Hole Ø 4.5)	1	165-413
3	Washer	Ø 24/13-2.5	1	164-404	Ø 24/13-2.5	1	164-404
4	Split pin	Ø 3.7 x 25	1	301-051	Ø 3.7 x 25	1	301-051
5	Sheave	Ø 45/10-11	4	504-504	Ø 45/10-11	4	504-504
6	SLR Sheave	Ø 38/10-11	2	504-505	Ø 45/10-11	2	504-504
7	Outhaul Sheave	Ø 38/10-11	1	504-505	Ø 38/10-11	1	504-505
8	Jam lever	11x120 Hole Ø 12	4	511-074	11x120 Hole Ø 12	4	511-074
9	Flange bush	Ø 15/12/10-5.5	8	306-327	Ø 15/12/10-5.5	8	306-327
10	Spring	Ø 1.8/Dy15/N4.13	3	308-082	Ø 1.8/Dy15/N4.13	3	308-082
11	Spring	Ø 1.8/Dy15/N4.13	1	308-083	Ø 1.8/Dy15/N4.13	1	308-083
12	Plug - White	Ø 8	1	319-529	Ø 8	1	319-529
12	Plug - Blue	Ø 8	1	319-530	Ø 8	1	319-530
12	Plug - Red	Ø 8	1	319-531	Ø 8	1	319-531
12	Plug - Yellow	Ø 8	1	319-532	Ø 8	1	319-532
12	Plug - Green	Ø 8	1	319-533	Ø 8	1	319-533
12	Plug - Black	Ø 8	1	319-534	Ø 8	1	319-534
13	Pin	Ø 10x70	3	166-445	Ø 10x77	3	166-446
14	Retaining plug	M12	3	319-828	M12	3	319-828
15	Pop rivet	LD850 (Ø 6.4x12.7)	6	167-004	LD850 (Ø 6.4x12.7)	6	167-004

## Outboard boom end

Item	Description	Boom dimension B135			Boom dimension B152		
		Dimension	Qty	Part. No	Dimension	Qty	Part. No
16	Outboard boom end fitting	135/71	1	500-039	152/82	1	500-040
17	Pin	Ø 10x70	1	166-445	Ø 10x77	1	166-446
18	Sheave	Ø 45/10-11	4	504-504	Ø 45/10-11	4	504-504
19	Pin	Ø 10x31	2	172-058	Ø 10x36	2	172-059
20	Sheave	Ø 38/10-11	2	504-505	Ø 45/10-11	2	504-504
21	Square Nut	M6 DIN 557	3	157-509	M6 DIN 557	3	157-509
22	Retaining plug	M12	1	319-828	M12	1	319-828
23	Screw	MRT 6x12	3	155-613	MRT 6X14	3	155-623
24	Plug	Ø 8/5.5-7.5	3	319-650	Ø 8/5.5-7.5	3	319-650



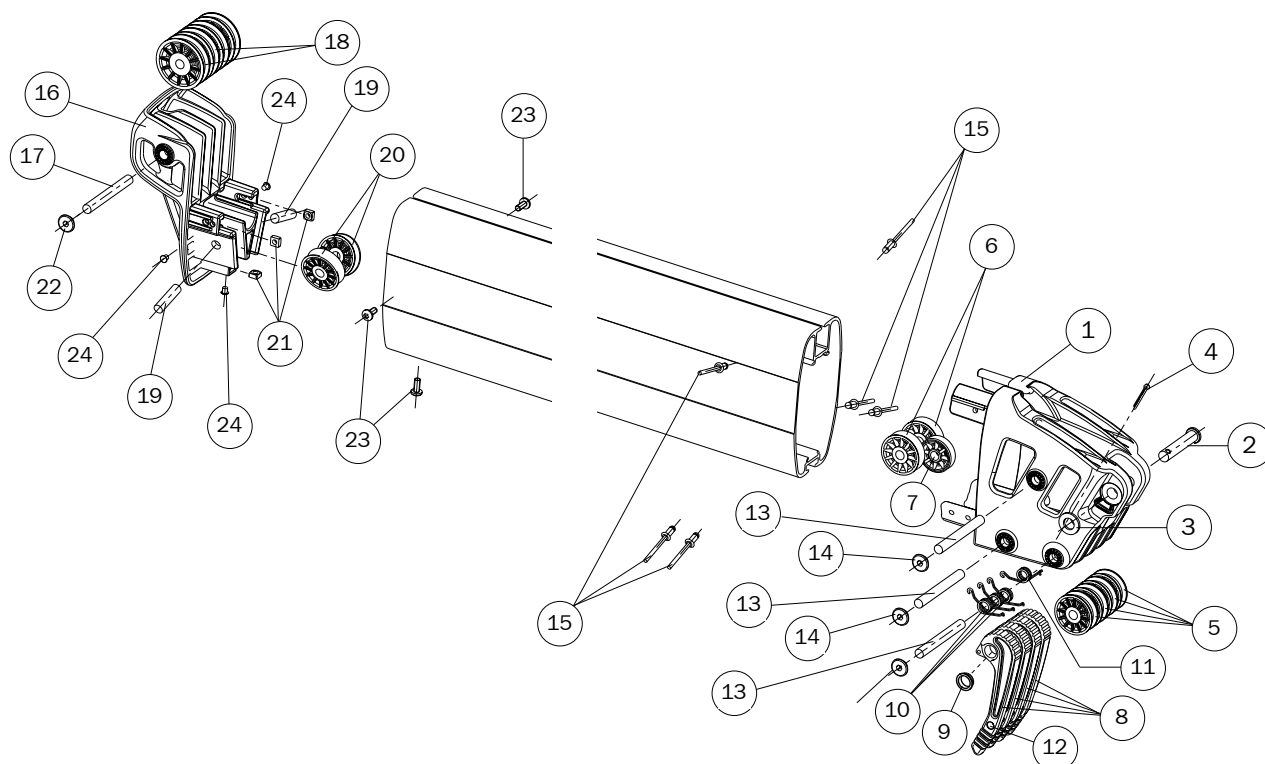


## Inboard boom end

Item	Description	Boom dimension B171			Boom dimension B200		
		Dimension	Qty	Part no.	Dimension	Qty	Part no.
1	Inboard boom end fitting	171/94	1	509-041	200/117	1	509-042
2	Clevis pin	Ø 12x 61 (Hole Ø 4.5)	1	165-413	Ø 16x 76 (Hole Ø 5.5)	1	165-559
3	Washer	Ø 24/13-2.5	1	164-404	Ø 30/17-3 (M16)	1	164-410
4	Split pin	Ø 3.7 x 25	1	301-051	Ø 4.6 x 33	1	301-055
5	Sheave	Ø 45/10-13	4	504-321	Ø 57/12-16	4	504-373
6	SLR Sheave	Ø 45/10-13	2	504-321	Ø 45/12-16	2	504-502
7	Outhaul Sheave	Ø 38/10-11	1	504-505	Ø 45/12-16	1	504-502
8	Jam lever	13x150 Hole Ø 14	4	511-072	16x190 Hole Ø 20	4	511-071
9	Flange bush	Ø 18/14/10-6.5	8	306-348	Ø 24/20/12.3-7.5	8	306-349
10	Spring	Ø 1.8/Dy15/N4.13	3	308-082	Ø 2/Dy17.2/N4.13	3	308-061
11	Spring	Ø 1.8/Dy15/N4.13	1	308-083	Ø 2/Dy17.2/N4.13	1	308-084
12	Plug - White	Ø 8	1	319-529	Ø 8	1	319-529
12	Plug - Blue	Ø 8	1	319-530	Ø 8	1	319-530
12	Plug - Red	Ø 8	1	319-531	Ø 8	1	319-531
12	Plug - Yellow	Ø 8	1	319-532	Ø 8	1	319-532
12	Plug - Green	Ø 8	1	319-533	Ø 8	1	319-533
12	Plug - Black	Ø 8	1	319-534	Ø 8	1	319-534
13	Pin	Ø 10x 88	3	166-447	Ø 12x105	3	166-449
14	Retaining plug	M12	3	319-828	M14	3	319-829
15	Pop rivet	LD850 (Ø 6.4x12.7)	6	167-004	LD850 (Ø 6.4x17.8)	8	167-002

## Outboard boom end

Item	Description	Boom dimension B171			Boom dimension B200		
		Dimension	Qty	Part. No	Dimension	Qty	Part. No
16	Outboard boom end fitting	171/94	1	500-041	200/117	1	500-042
17	Pin	Ø 10x88	1	172-048	Ø 12x105	1	172-049
18	Sheave	Ø 57/10-13	4	504-323	Ø 70/12-16	3	504-332
19	Pin	Ø 10x39	2	166-444	Ø 12x49	2	166-448
20	Sheave	Ø 45/10-13	2	504-321	Ø 57/12-16	2	504-373
21	Square Nut	M6 DIN 557	3	157-509	M6 DIN 557	3	157-509
22	Retaining plug	M12	1	319-828	M14	1	319-829
23	Screw	MRT 6X14	3	155-623	MRT 6x16	3	155-610
24	Plug	Ø 8/5.5-7.5	3	319-650	Ø 5x10	3	319-673

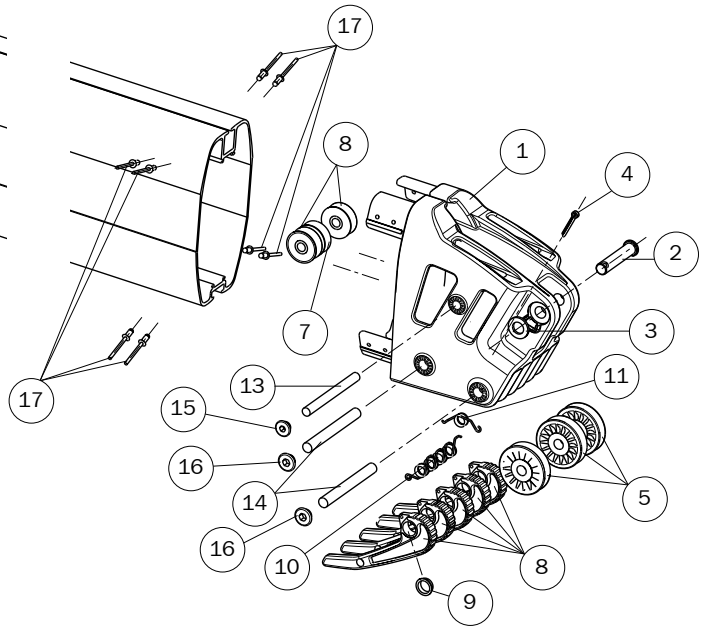
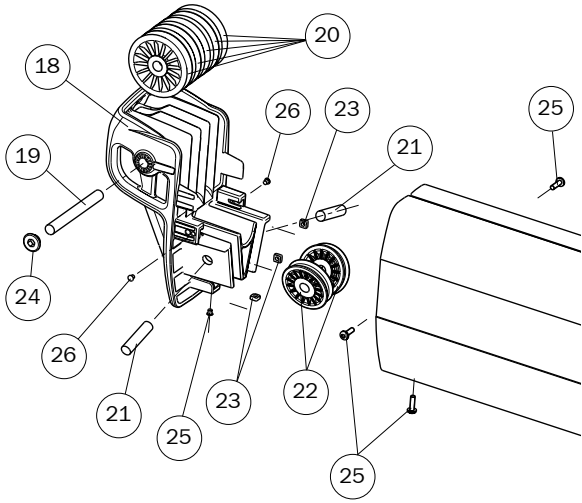


## Inboard boom end

		Boom dimension B250		
Item	Description	Dimension	Qty	Part no.
1	Inboard boom end fitting	250/140	1	509-043
2	Clevis pin	Ø 16x 76 (Hole Ø 5.5)	1	165-559
3	Washer	Ø 30/17-3 (M16)	1	164-410
4	Split pin	Ø 4.6 x 33	1	301-055
5	Sheave	Ø 45/12-16	4	504-333
6	SLR Sheave	Ø 45/12-16	2	504-502
7	Outhaul Sheave	Ø 45/12-16	1	504-502
8	Jam lever	16x190 Hole Ø 20	4	511-071
9	Flange bush	Ø 24/20/14.3-7.5	8	306-325
10	Spring	Ø 2/Dy17.2/N4.13	3	308-061
11	Spring	Ø 2/Dy17.2/N4.13	1	308-084
12	Plug - White	Ø 8	1	319-529
12	Plug - Blue	Ø 8	1	319-530
12	Plug - Red	Ø 8	1	319-531
12	Plug - Yellow	Ø 8	1	319-532
12	Plug - Green	Ø 8	1	319-533
12	Plug - Black	Ø 8	1	319-534
13	Pin	Ø 12x130	1	166-450
14	Pin	Ø 14-130	2	166-452
15	Retaining plug	M14	1	319-829
16	Retaining plug	M16	2	319-830
17	Pop rivet	LD850 (Ø 6.4x17.8)	8	167-002

## Outboard boom end

		Boom dimension B250		
Item	Description	Dimension	Qty	Part. No
18	Outboard boom end fitting	250/140	1	500-043
19	Pin	Ø 14x128	1	166-452
20	Sheave	Ø 90/14-16	5	504-336
21	Pin	Ø 14x58	2	166-451
22	Sheave	Ø 70/14-16	2	504-333
23	Square Nut	M6 DIN 557	3	157-509
24	Retaining plug	M16	1	319-830
25	Screw	MRT 6x20	3	155-621
26	Plug	Ø 5x10	3	319-673



## Inboard boom end

		Boom dimension B190			Boom dimension B230		
Item	Description	Dimension	Qty	Part no.	Dimension	Qty	Part no.
1	Inboard boom end tgl	78x65	1	528-104	78x72	1	528-092
2	Shaft	Ø 14/8-48	1	166-368	Ø 14/8-56	1	166-367
3	Sheave	Ø 57/14-11	3	504-382	Ø 70/14-13	3	504-327
4	Separator	70x65x2	4	537-155	80x78x2	4	537-154
5	Washer	Ø 38x4	2	164-517	Ø 45x5.5	2	164-509
6	Insulator	Ø 40/27-0.5	2	530-696	Ø 52/30-0.5	2	530-672
7	Insulator	Ø 55/27-0.5	2	530-697	Ø 74/30-0.5	2	530-673
8	Flange bush	Ø 46x19	1	306-407	Ø 50/30-21	1	306-576
9	Flange bush	Ø 46x19-M8	1	306-408	Ø 50/30-21-M8	1	306-586
10	Pin	Ø 3x18	2	166-046	Ø 3x18	2	166-046
11	Insulator	Ø 47/35-0.5	2	530-698	Ø 52/37-0.5	2	530-678
12	Screw	MC6S 8x75	1	153-098	MC6S 8x90	1	153-125

## Outboard boom end

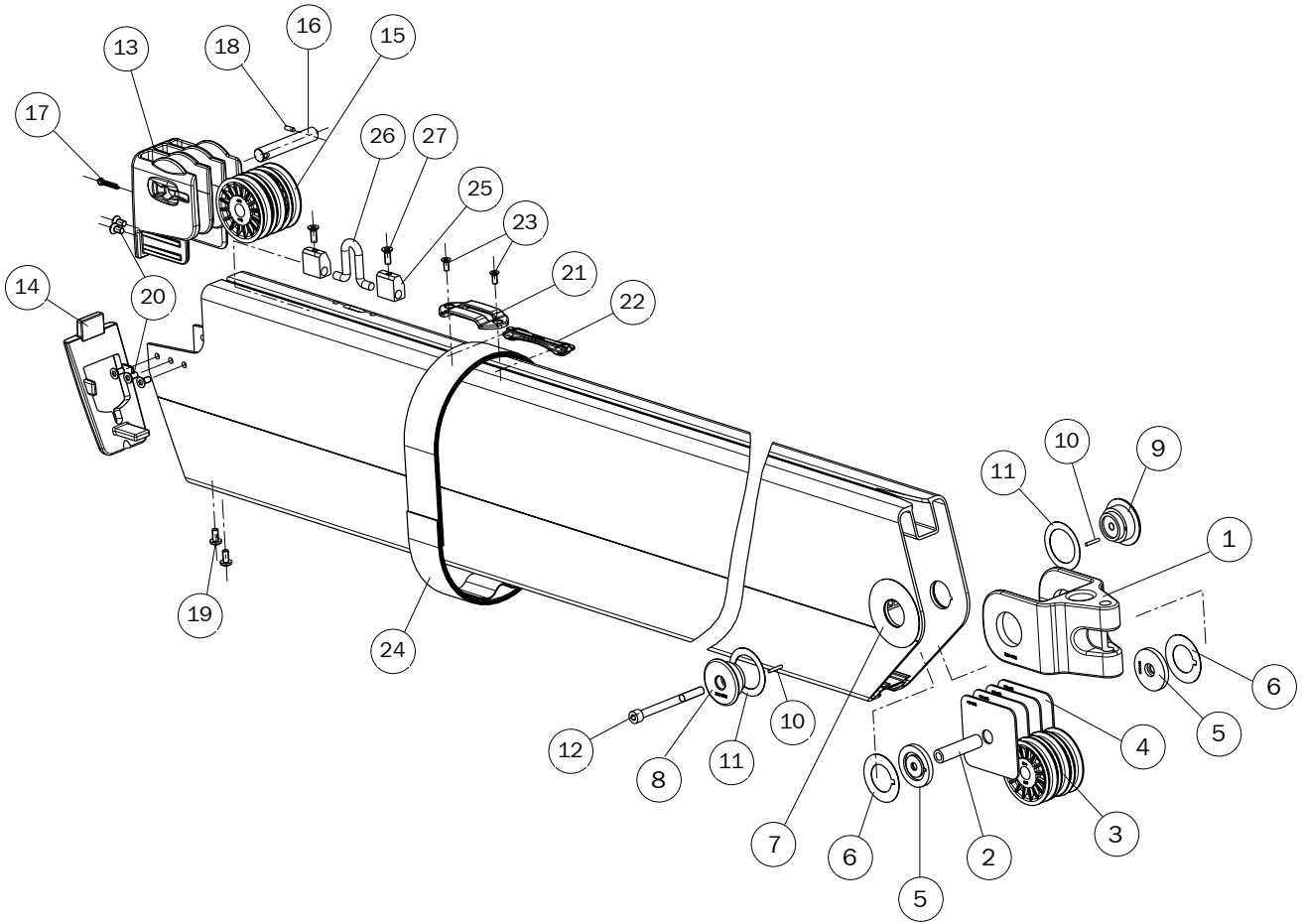
		Boom dimension B190			Boom dimension B230		
Item	Description	Dimension	Qty	Part no.	Dimension	Qty	Part no.
13	Outboard boom end fitting	80x60	1	500-034	115x70	1	500-028
14	Outboard boom end cover	100x60	1	500-035	120x70	1	500-029
15	Sheave	Ø 57/14-11	3	504-382	Ø 70/14-13	3	504-327
16	Shaft	Ø 14x72	1	166-123	Ø 14x79	1	166-366
17	Split pin	Ø 3.7x20(23)	1	301-053	Ø 3.7x20(23)	1	301-053
18	Locking pin	Ø 4x11	1	166-259	Ø 4x11	2	166-259
19	Screw	MRT 6x10	2	155-609	MRT 6x12	2	155-613
20	Screw	MFT 6x10	5	162-039	MFT 6x12	8	162-030

## Main sheet webbing

		Boom dimension B190			Boom dimension B230		
Item	Description	Dimension	Qty	Part no.	Dimension	Qty	Part no.
21	Webbing support	90x38	1	508-785	90x38	1	508-785
22	Backing plate	90x22	1	508-786	90x22	1	508-786
23	Screw	MFT 5x16	2	162-029	MFT 5x16	2	162-029
24	Main sheet webbing	45x1, 1,6 m	1	614-505-01	45x1, 2,4 m	1	614-505-02

## Reef line eye

		Boom dimension B190			Boom dimension B230		
Item	Description	Dimension	Qty	Part no.	Dimension	Qty	Part no.
25	Loop holder	-	-	-	25x26	2	508-468
26	U-bracket	-	-	-	Ø 8	1	508-249
27	Screw	-	-	-	MFT 6X16	2	162-025



## Outhaul

		Boom dimension B087			Boom dimension B104		
Item	Description	Dimension	Qty	Part No.	Dimension	Qty	Part No
F1	Outhaul car	35x26x15	1	507-612 <sup>1)</sup>	35x26x15	1	507-612 <sup>1)</sup>
F2	Wheel	Ø 13/6-6	4	504-507	Ø 13/6-6	4	504-507
F3	Shackle	Ø 5 x 13-38	1	307-045	Ø 5 x 13-38	1	307-045
-	Recommended wire	Ø 3-7x19	-	602-001	Ø 3-7x19	-	602-001
-	Recommended line size	Ø 6	-	611-011	Ø 6	-	611-011
-	Internal block	R302	1	538-136	R302	1	538-136

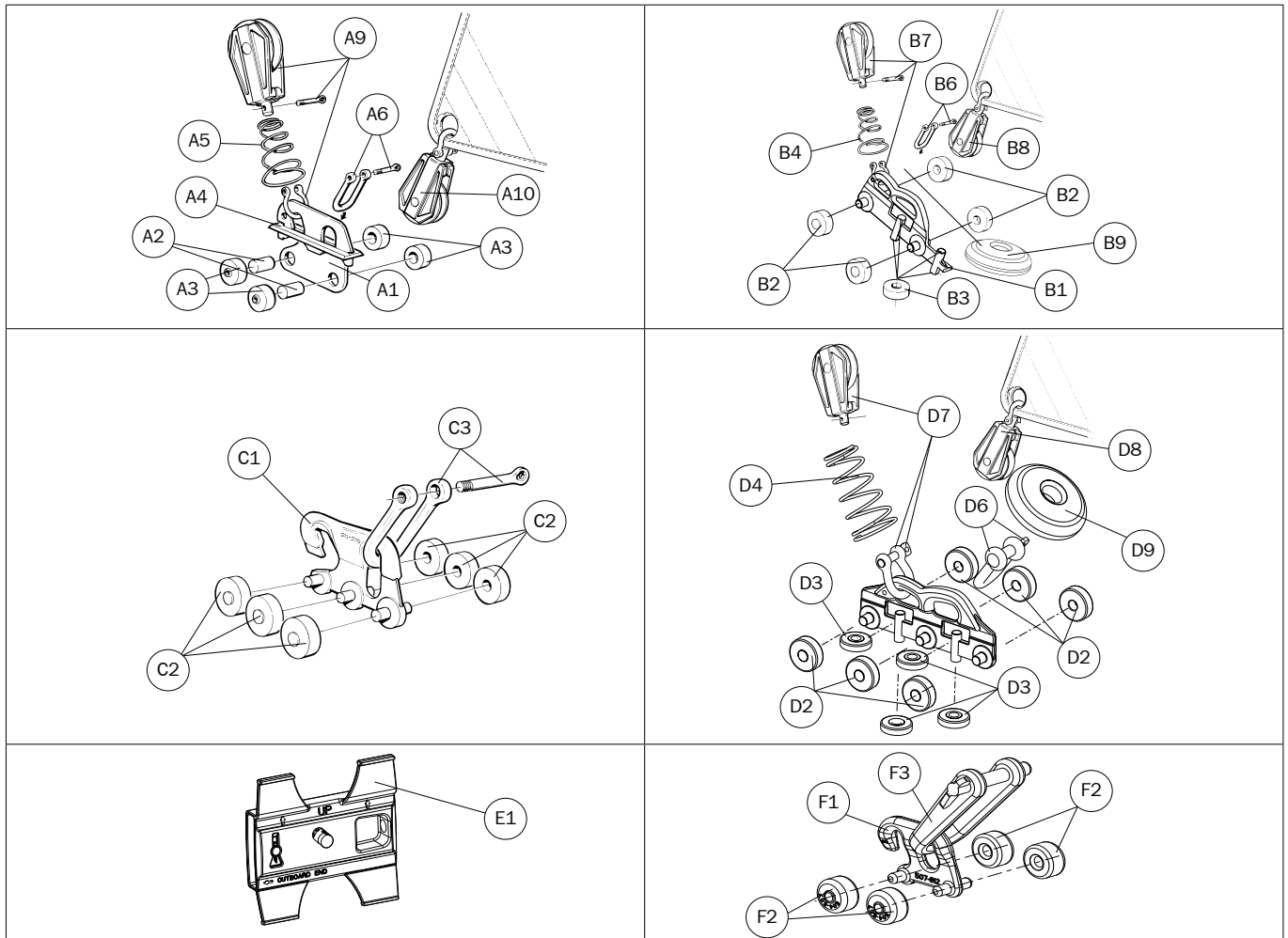
		Boom dimension: B120			Boom dimension: B135			
Item	Description	Dimension	Qty	Part no.	Dimension	Qty	Part no.	
Conventional Outhaul	A1	Outhaul car "4"	66x46x2.5	1	507-519 <sup>2)</sup>	66x46x2.5	1	507-519 <sup>2)</sup>
	-	Outhaul slider	-	-	-	-	-	-
	A2	Pin	Ø 8x16	2	166-144	Ø 8x16	2	166-144
	A3	Wheel	Ø 19/8-8	4	504-345	Ø 19/8-8	4	504-345
	A4	Sliding Strip	70x14x9	1	530-713	70x14x9	1	530-713
	A6	Shackle	M8x16x35	1	307-026	M8x16x35	1	307-026
	-	Recommended wire size	Ø 4-7x19	<sup>7)</sup>	602-002	Ø 4-7x19	<sup>7)</sup>	602-002
	-	Flange bushing	-	-	-	-	-	-
	-	Recommended line size	Ø 8 Braid line	-	611-005	Ø 8 Braid line	-	611-005
	-	Internal becket block	R302	1	538-136	-	-	-
In-mast furling Outhaul	E1	Internal Outhaul block	-	-	-	135x127	1	538-009-01
		Outhaul stop	20x20x30	1	319-860	20x20x30	1	319-860
	A1	Outhaul car "4"	66x46x2.5	1	507-519 <sup>2)</sup>	66x46x2.5	1	507-519 <sup>2)</sup>
	A2	Pin	Ø 8x16	2	166-144	Ø 8x16	2	166-144
	A3	Wheel	Ø 19/8-8	4	504-345	Ø 19/8-8	4	504-345
	A4	Sliding Strip	70x14x9	1	530-713	70x14x9	1	530-713
	A5	Spring	Ø 2.25/Dy36.5-26/L70	1	308-074	Ø 2.25/Dy36.5-26/L70	1	308-074
	A6	Shackle dito	M6x13x25	-	307-020	M6x13x25	-	307-020
	A7	Recommended line size	Ø 10 Braid line	-	611-009	Ø 10 Braid line	-	611-009
	A9	Block – single	R 311	1	538-982	R 311	1	538-982
A10	Block – single	R 501	1	538-923	R 501	1	538-923	
	Outhaul stop	20x20x30	1	319-860	20x20x30	1	319-860	

		Boom dimension: B152			Boom dimension: B171			
Item	Description	Dimension	Qty	Part no.	Dimension	Qty	Part no.	
Conventional Outhaul	A1	Outhaul car "4"	74x52x4	1	507-569 <sup>3)</sup>	74x52x4	1	507-569 <sup>3)</sup>
	A2	Pin	Ø 8x20	2	166-072	Ø 8x20	2	166-072
	A3	Wheel	Ø 27.5/8.2-9.3	4	504-500	Ø 27.5/8.2-9.3	4	504-500
	A6	Shackle	M8x16x35	1	307-026	M10x19x38	1	307-024
	-	Recommended wire size	Ø 4-7x19	<sup>8)</sup>	602-002	Ø 5-7x19	<sup>8)</sup>	602-003
	-	Recommended line size	Ø 10 Braid line	-	611-009	Ø 10 Braid line	-	611-009
	E1	Internal Outhaul block	131x144	1	538-011-01	166x161	1	538-013-01
		Outhaul stop	28x28x30	1	319-861	28x28x30	1	319-861
In-mast furling Outhaul	B1	Outhaul car "4+4"	120x50	1	511-802 <sup>4)</sup>	120x50	1	511-802 <sup>4)</sup>
	B2	Wheel (Vertical)	Ø 27.5/8.2-9.3	4	504-500	Ø 27.5/8.2-9.3	4	504-500
	B3	Wheel (Horizontal)	Ø 25.3/8-6.5	4	504-501	Ø 25.3/8-6.5	4	504-501
	B4	Spring	Ø 2.25/Dy36.5-26/L70	1	308-074	Ø 2.25/Dy36.5-26/L70	1	308-074
	B5	Recommended line size	Ø 10 Braid line	-	611-009	Ø 10 Braid line	-	611-009
	B6	Shackle dito	M6x13x25	1	307-020	M6x13x25	1	307-020
	B7	Block – single	R 501	1	538-923	R 501	1	538-923
	B8	Block – single	R 601	1	538-900	R 601	1	538-900
	B9	Doughnut	Ø 70/18-20	1	319-723	Ø 70/18-20	1	319-723
	Outhaul stop	28x28x30	1	319-861	28x28x30	1	319-861	

# Outhaul

Conventional Outhaul	Boom dimension: B200				Boom dimension: B250			Boom dimension: B290			
	Item	Description	Dimension	Qty	Part no.	Dimension	Qty	Part no.	Dimension	Qty	Part no.
C1	Outhaul car "6"	90x54	1	511-570 <sup>5)</sup>	90x54	1	511-570 <sup>5)</sup>		1	511-648	
C2	Wheel	Ø 27.5/8.2-9.3	6	504-500	Ø 27.5/8.2-9.3	6	504-500		8	504-506	
C2	Shackle	M10x19x38	1	307-024	M10x19x38	1	307-024		6	504-508	
-	Recommended wire size	Ø 5-7x19	<sup>8)</sup>	602-003	Ø 5-7x19	<sup>8)</sup>	602-003		1	307-004	
-	Recommended line size	Ø 10 Braid line	-	611-009	Ø 10 Braid line	-	611-009		4	602-006	
E1	Internal Outhaul block	204x186	1	538-015-01	204x236	1	538-017-01		-	613-232	
	Outhaul stop	28x28x30	1	319-861	28x28x30	1	319-861		1	538-027-01	
In-mast furling Outhaul	D1	Outhaul car "6+4"	132x60	1	511-803 <sup>6)</sup>	132x60	1	511-803 <sup>6)</sup>		1	611-648
	D2	Wheel (Vertical)	Ø 27.5/8.2-9.3	6	504-500	Ø 27.5/8.2-9.3	6	504-500		8	504-506
	D3	Wheel (Horizontal)	Ø 25.3/7.95-6.5	4	504-501	Ø 27.3/7.95-6.5	4	504-501		6	504-508
	D4	Spring	Ø 36.5-26x70	1	308-074	Ø 36.5-26x70	1	308-074		1	308-037
	D5	Recommended line size	Ø 10 Braid line	-	611-013	Ø 10 Braid line	-	611-009		-	613-232
	D6	Shackle dito	M8x16x32	1	307-021	M8x16x32	1	307-021		1	307-004
	D7	Block – single	R 501	1	538-900	R 601	1	538-900		1	408-001-01
	D8	Block – single	R 601	1	538-950	R 801	1	538-950		-	-
	D9	Doughnut	Ø 70/18-20	1	319-723	Ø 70/18-20	1	319-723		1	319-723
		Outhaul stop	28x28x30	1	319-861	28x28x30	1	319-861		1	611-652

1)	Also as a package F1-F2	1	507-612-01	-	1	507-612-01
2)	Also as a package A1-A4	1	507-519-01	-	1	507-519-01
3)	Also as a package A1-A3	1	507-569-01	-	1	507-569-01
4)	Also as a package B1-B3	1	511-802-01	-	1	511-802-01
5)	Also as a package C1-C2	1	511-570-01	-	1	511-570-01
6)	Also as a package D1-D3	1	511-803-01	-	1	511-803-01
7)	L=Extrusion length - 350 mm					
8)	L=Extrusion length - 300 mm					



## Sliders

		Boom dimension: B087			Boom dimension: B104		
Item	Description	Dimension	Qty	Part No.	Dimension	Qty	Part No.
H1	Main sheet slider, T-19	T19-60	1	511-641	T19-60	1	511-641
H2	Screw	MRT 5x10	2	155-618	MRT 5x10	2	155-618
I1	Kicker slider, T-19	Ø 10, T19-68	1	511-643	Ø 10, T19-68	1	511-643
I2	Screw	MRT 5x10	2	155-618	MRT 5x10	2	155-618

		Boom dimension: B120			Boom dimension: B135		
Item	Description	Dimension	Qty	Part no.	Dimension	Qty	Part no.
J1	Main sheet slider	T25-82	1 <sup>5)</sup>	511-571	T25-82	1 <sup>5)</sup>	511-571
J2	Screw	MRX 6x12	2	155-613	MRX 6x12	2	155-613
K1	Kicker slider	T25-140	1	511-800	T25-140	1	511-800
K2	Screw	MC6S 8x16	3	153-006	MC6S 8x16	3	153-006
L1	Boom slider	57x33	2	511-636	57x33	2	511-636
L2	Screw	MRT-TT 6x12	2	155-703	MRT-TT 6x12	2	155-703

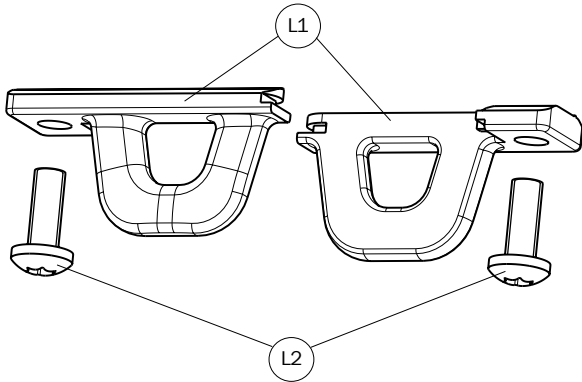
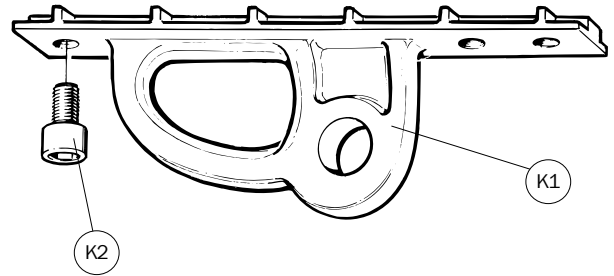
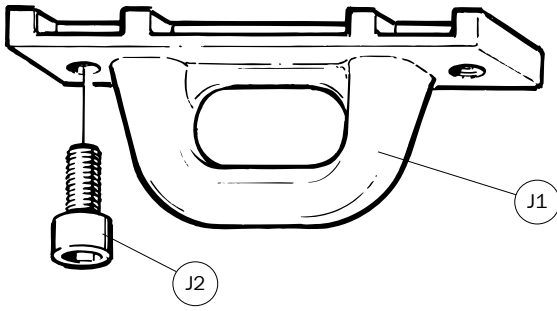
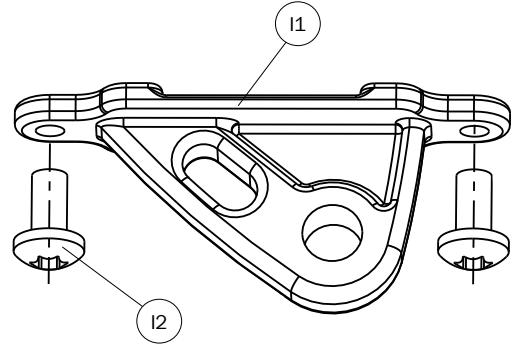
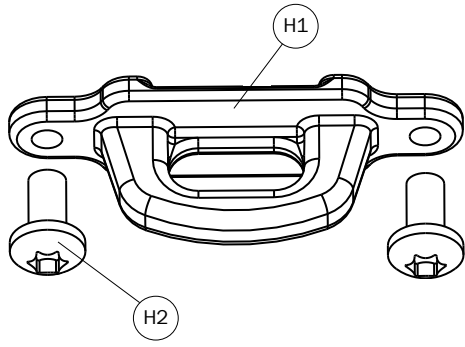
		Boom dimension: B152			Boom dimension: B171		
Item	Description	Dimension	Qty	Part no.	Dimension	Qty	Part no.
J1	Main sheet slider	T25-82	1 <sup>5)</sup>	511-571	T25-82	1 <sup>5)</sup>	511-571
J2	Screw	MRX 6x12	2	155-613	MRX 6x12	2	155-613
K1	Kicker slider	T25-140	1	511-800	T25-140	1	511-800
K2	Screw	MC6S 8x16	3	153-006	MC6S 8x16	3	153-006
L1	Boom slider	57x33	2	511-636	57x33	2	511-636
L2	Screw	MRT-TT 6x12	2	155-703	MRT-TT 6x12	2	155-703

		Boom dimension: B200			Boom dimension: B250		
Item	Description	Dimension	Qty	Part no.	Dimension	Qty	Part no.
J1	Main sheet slider	T32-98	1 <sup>5)</sup>	511-572	T32-98	1 <sup>5)</sup>	511-572
J2	Screw	MC6S 8x16	2	153-006	MC6S 8x16	2	153-006
K1	Kicker slider	T32-180	1	511-801	T32-180	x	511-801
K2	Screw	MC6S 10x16	3	153-011	MC6S 10x16	3	153-011
L1	Boom slider	63x41	2	511-637	63x41	2	511-637
L2	Screw	MRT-TT 6x12	2	155-703	MRT-TT 6x12	2	155-703

		Boom dimension: B190			Boom dimension: B230		
Item	Description	Dimension	Qty	Part no.	Dimension	Qty	Part no.
K1	Kicker slider	T25-140	1	511-800	T32-180	1	511-801
K2	Screw	MC6S 8x16	3	153-006	MC6S 10x16	3	153-011
L1	Boom slider	57x33	2	511-636	63x41	2	511-637
L2	Screw	MRT-TT 6x12	2	155-703	MRT-TT 6x12	2	155-703

5)	<i>If the main sheet is attached more than 1.5 m from the outboard boom end, two sliders are recommended to distribute the main sheet load.</i>
----	---

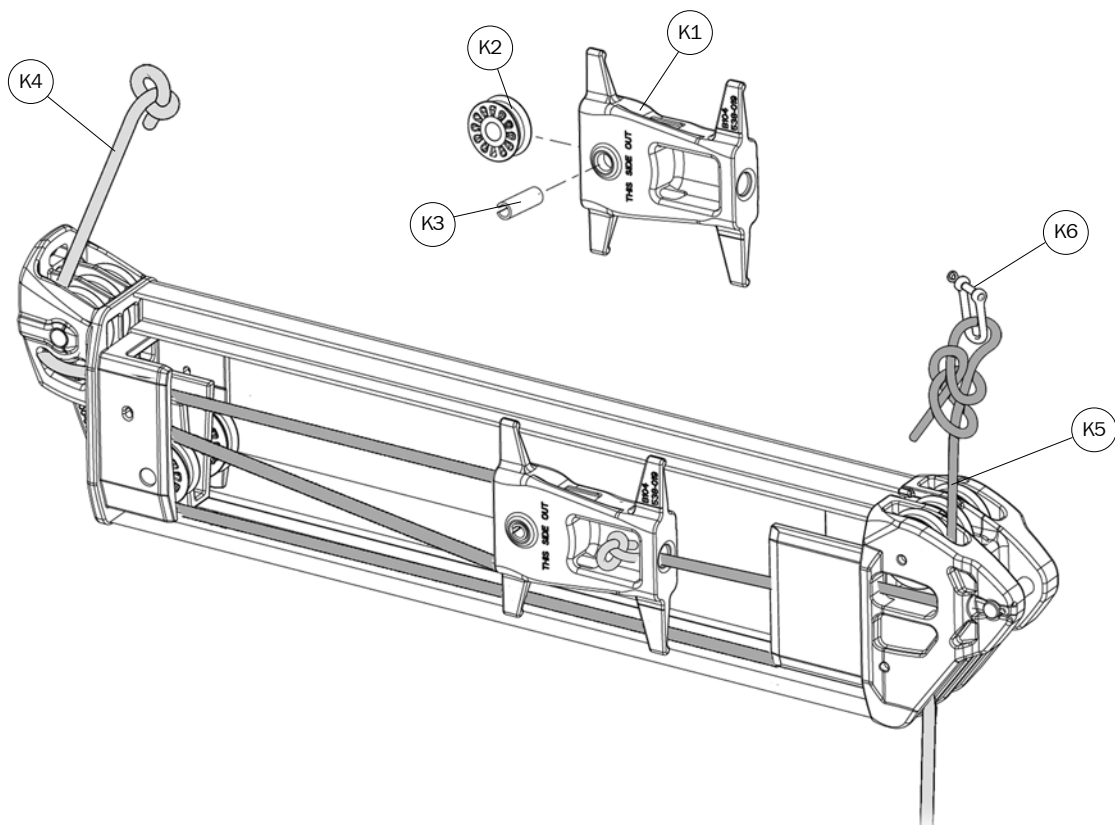




## Single line reef

		Boom dimension: B087			Boom dimension: B104		
Item	Description	Dimension	Qty	Part No.	Dimension	Qty	Part No.
J1	SLR Block	85 x 78	2	538-018	85 x 96	2	538-019
J2	Sheave	Ø 28/8-10	2	504-375	Ø 28/8-10	2	504-375
J3	Spring pin	Ø 8x24	2	166-518	Ø 8x24	2	166-518
J4	Starboard: Braid line, blue	Ø 8	1	611-007	Ø 8	1	611-007
J4	Portboard: Braid line, red	Ø 8	1	611-006	Ø 8	1	611-006
J5	Starboard: Braid line, blue	Ø 8	1	611-007	Ø 8	1	611-007
J5	Portboard: Braid line, red	Ø 8	1	611-006	Ø 8	1	611-006
J6	Shackle, screw bar	M6x13x25	1	307-020	M6x13x25	1	307-020

		Boom dimension: B120		
Item	Description	Dimension	Qty	Part No.
J1	SLR Block	85x110	2	538-020
J2	Sheave	Ø 28/8-10	2	504-375
J3	Spring pin	Ø 8x24	2	166-518
J4	Starboard: Braid line, blue	Ø 8	1	611-007
J4	Portboard: Braid line, red	Ø 8	1	611-006
J5	Starboard: Braid line, blue	Ø 8	1	611-007
J5	Portboard: Braid line, red	Ø 8	1	611-006
J6	Shackle	M6x13x25	1	307-020



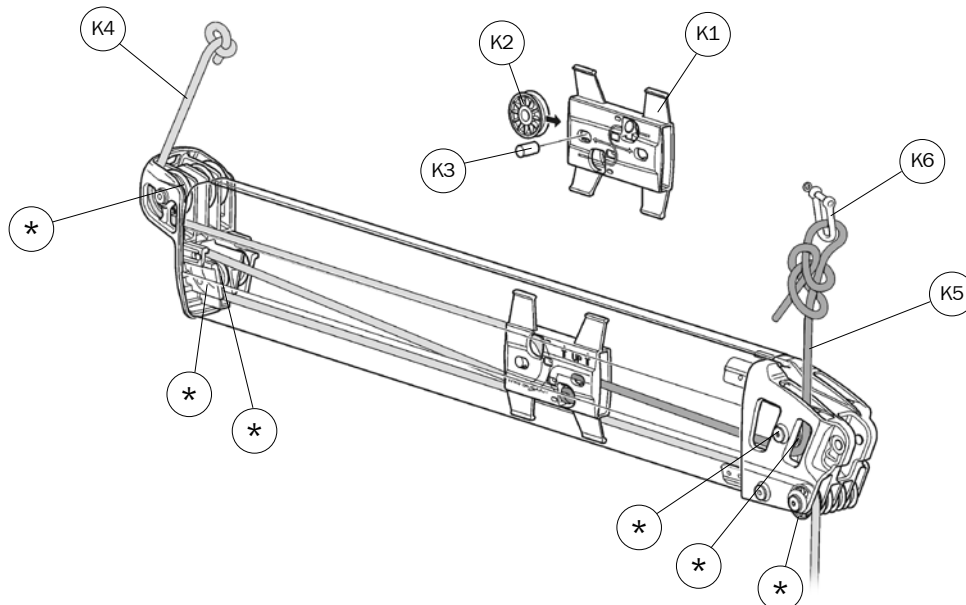
## Single line reef

		Boom dimension: B135			Boom dimension: B152		
Item	Description	Dimension	Qty	Part no.	Dimension	Qty	Part no.
K1	SLR Block	135x127	1	538-008	168x144	1	538-010
K2	Sheave	Ø 45/10-11	1	504-504	Ø 45/10-11	1	504-321
K3	Shaft	Ø 10x20	1	172-055	Ø 10x24	1	172-056
K4	Starboard: Braid line, Blue	Ø 8	1	611-007	Ø 10	1	611-011
K4	Portboard: Braid line, Red	Ø 8	1	611-008	Ø 10	1	611-010
K5	Starboard: Braid line, Blue	Ø 8	1	611-007	Ø 10	1	611-011
K5	Portboard: Braid line, Red	Ø 8	1	611-008	Ø 10	1	611-010
K6	Shackle	M6x13x25	1	307-020	M8x16x32	1	307-021

		Boom dimension: B171			Boom dimension: B200		
Item	Description	Dimension	Qty	Part no.	Dimension	Qty	Part no.
K1	SLR Block	168x161	1	538-012	206x186	1	538-014
K2	Sheave	Ø 57/14-13	1	504-348	Ø 70/14-16	1	504-333
K3	Shaft	Ø 14x27	1	172-041	Ø 14x32	1	172-057
K4	Starboard: Braid line, Blue	Ø 10	1	611-011	Ø 12	1	611-015
K4	Portboard: Braid line, Red	Ø 10	1	611-010	Ø 12	1	611-014
K5	Starboard: Braid line, Blue	Ø 10	1	611-011	Ø 12	1	611-015
K5	Portboard: Braid line, Red	Ø 10	1	611-010	Ø 12	1	611-014
K6	Shackle	M8x16x32	1	307-021	M8x16x32	1	307-021

		Boom dimension: B250		
Item	Description	Dimension	Qty	Part no.
K1	SLR Block	206x236	1	538-016
K2	Sheave	Ø 70/14-16	1	504-333
K3	Shaft	Ø 14x32	1	172-057
K4	Starboard: Braid line, Blue	Ø 14	1	611-029
K4	Portboard: Braid line, Red	Ø 14	1	611-028
K5	Starboard: Braid line, Blue	Ø 14	1	611-029
K5	Portboard: Braid line, Red	Ø 14	1	611-028
K6	Shackle	M8x16x32	1	307-021

\* See page 4 and 5 for part number correspondence boom size.



# DINGHIES KEELBOATS YACHTS

**Seldén Mast AB, Sweden**  
Tel +46 (0)31 69 69 00  
Fax +46 (0)31 29 71 37  
e-mail [info@seldenmast.com](mailto:info@seldenmast.com)

**Seldén Mast Limited, UK**  
Tel +44 (0) 1329 504000  
Fax +44 (0) 1329 504049  
e-mail [info@seldenmast.co.uk](mailto:info@seldenmast.co.uk)

**Seldén Mast Inc., USA**  
Tel +1 843-760-6278  
Fax +1 843-760-1220  
e-mail [info@seldenus.com](mailto:info@seldenus.com)

**Seldén Mast A/S, DK**  
Tel +45 39 18 44 00  
Fax +45 39 27 17 00  
e-mail [info@seldenmast.dk](mailto:info@seldenmast.dk)

**Seldén Mid Europe B.V., NL**  
Tel +31 (0) 111-698 120  
Fax +31 (0) 111-698 130  
e-mail [info@seldenmast.nl](mailto:info@seldenmast.nl)

**Seldén Mast SAS, FR**  
Tel +33 (0) 251 362 110  
Fax +33 (0) 251 362 185  
e-mail [info@seldenmast.fr](mailto:info@seldenmast.fr)

[www.seldenmast.com](http://www.seldenmast.com)

Dealer:

The Seldén Group is the world's leading manufacturer of mast and rigging systems in carbon and aluminium for dinghies, keelboats and yachts. The range was extended with deck hardware in 2008. The Group consists of Seldén Mast AB in Sweden, Seldén Mast A/S in Denmark, Seldén Mast Ltd in the UK, Seldén Mid Europe B.V. in the Netherlands, Seldén Mast SAS in France, Seldén Mast Inc. in the USA and Seldén Mast Asia Ltd in Hong Kong. Our well known brands are Seldén and Furlex. The worldwide success of Furlex has enabled us to build a network of over 750 authorised dealers covering the world's marine markets. So wherever you sail, you can be sure of fast access to our service, spare parts and know-how.

 **SELDÉN**