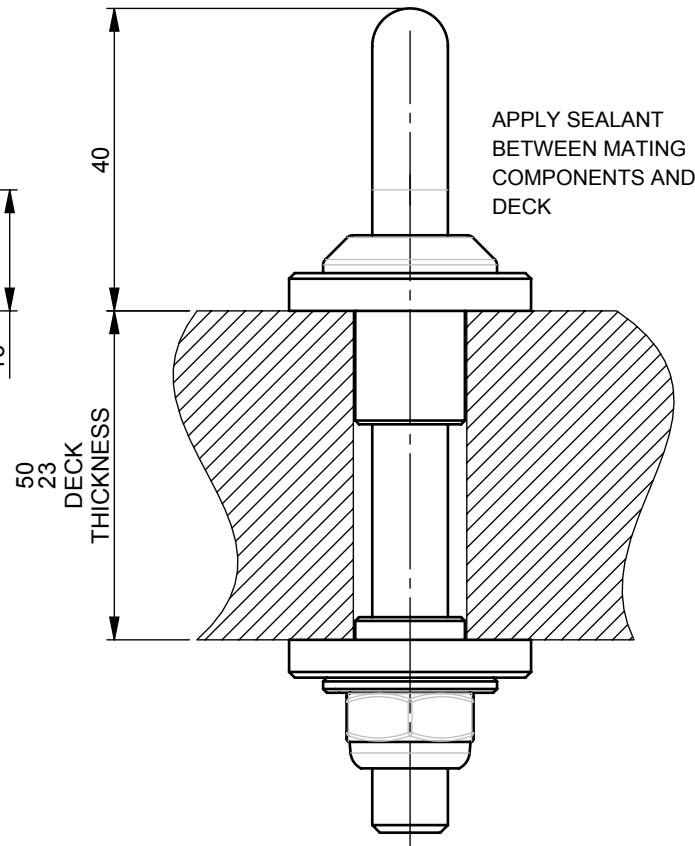
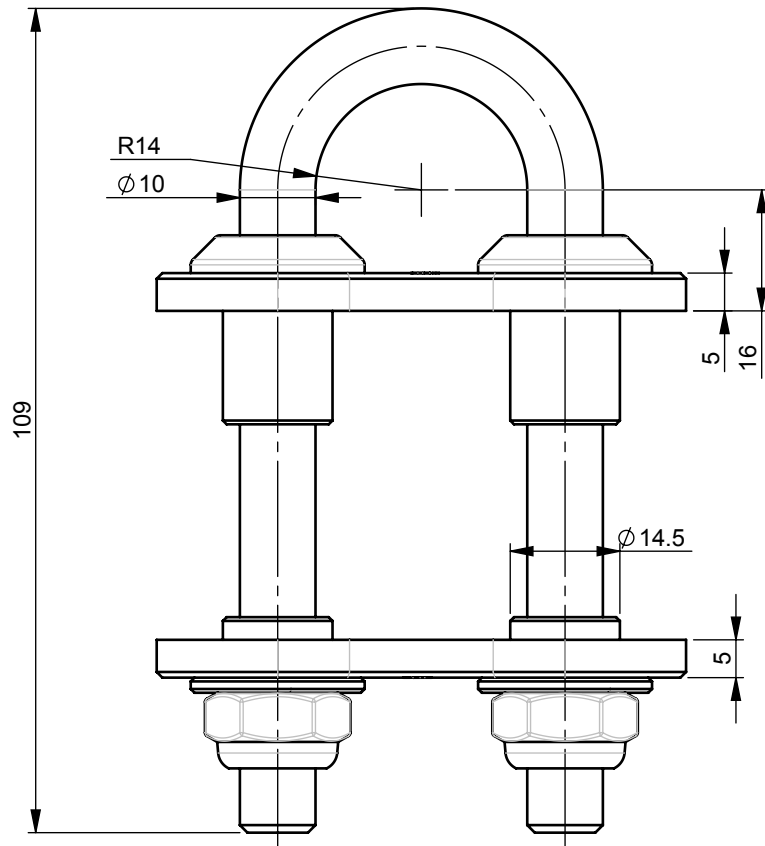
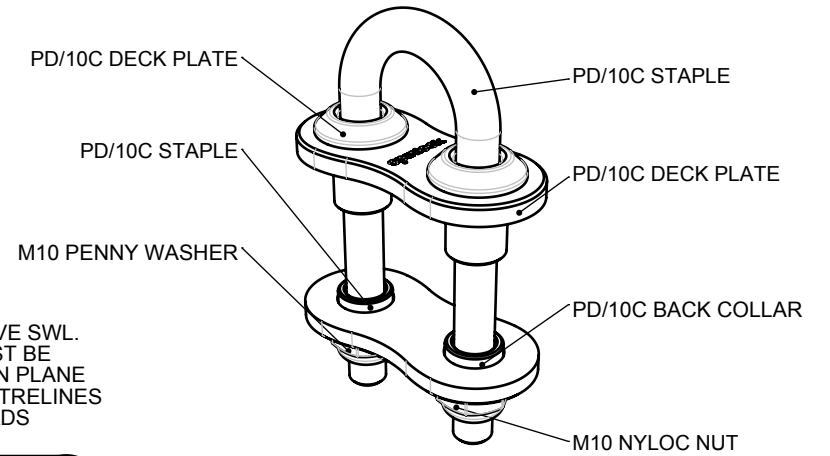


TO ACHIEVE SWL LOAD MUST BE APPLIED IN PLANE WITH CENTRELINES OF THREADS



**IMPORTANT:**

IF NECESSARY, ADJUST THREADED COLLARS TO ENSURE:

STAPLE HEIGHT DOES NOT EXCEED 40MM ABOVE DECK.

DECK PLATE SITS PERPENDICULAR TO STAPLE AXES.

**DO NOT OVERTIGHTEN NUTS, MAX TORQUE = 30Nm**

**APPLY SEALANT/JOINTING COMPOUND BETWEEN THREADED COLLAR, DECK PLATE AND AND STAPLE.**

**spinlock**  
BE ADVENTURE-PROOF



**WARNING:**  
IF USING AS TEMPLATE, ENSURE PRINTER SETTINGS ARE ADJUSTED TO ACCOUNT FOR THE DRAWING SCALE AND **ALWAYS** CHECK DIMENSIONS.



**COPYRIGHT:**  
THIS DRAWING IS PROTECTED BY COPYRIGHT. ANY USE IS FORBIDDEN WITHOUT THE WRITTEN CONSENT OF SPINLOCK.

ALL DIMENSIONS IN MM

FASTENERS

WEIGHT

MAX LOAD

SCALE PAGE SIZE DATE

M10 x 2

255g

0° FROM VERTICAL, SWL = 7600KG  
45° FROM VERTICAL, SWL = 5250KG  
90° FROM VERTICAL, SWL = 5250KG

1:1 A4

APR 2018

**PD/10C**

FOR MORE INFO CONTACT  
SPT@SPINLOCK.CO.UK