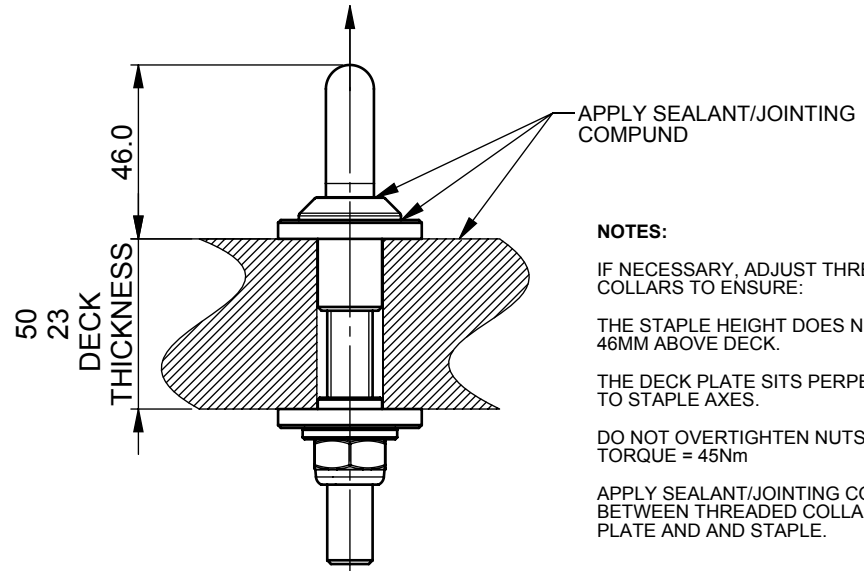


TO ACHIEVE SWL.
LOAD MUST BE
APPLIED IN PLANE
WITH CENTRELINES
OF THREADS



NOTES:

- IF NECESSARY, ADJUST THREADED COLLARS TO ENSURE:
- THE STAPLE HEIGHT DOES NOT EXCEED 46MM ABOVE DECK.
- THE DECK PLATE SITS PERPENDICULAR TO STAPLE AXES.
- DO NOT OVERTIGHTEN NUTS, MAXIMUM TORQUE = 45Nm
- APPLY SEALANT/JOINTING COMPOUND BETWEEN THREADED COLLAR, DECK PLATE AND AND STAPLE.

