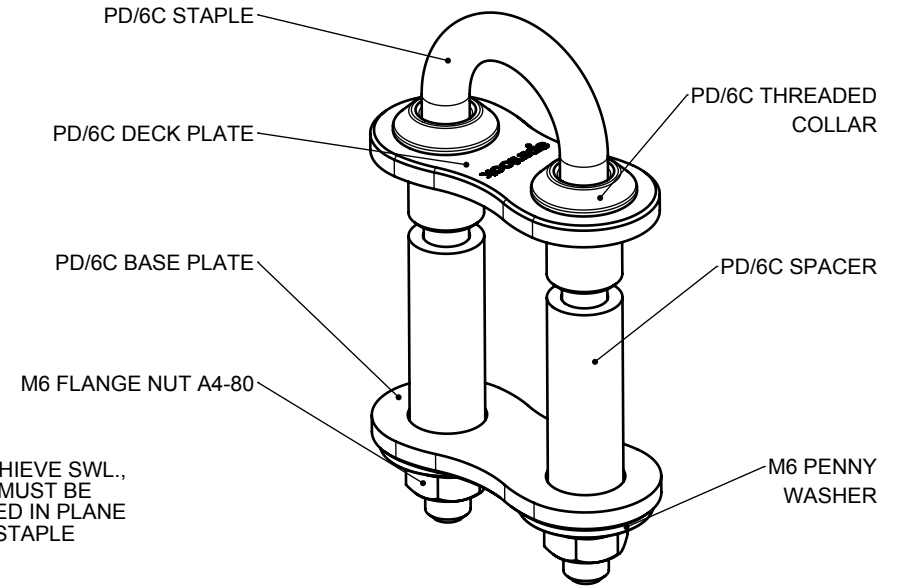


TO ACHIEVE SWL.,  
LOAD MUST BE  
APPLIED IN PLANE  
WITH STAPLE



**IMPORTANT:**

ENSURE PLASTIC SPACERS PROTRUDE THROUGH UNDERSIDE OF DECK AND INTO BASE PLATE HOLES. IF REQUIRED, CUT PLASTIC SPACERS TO LENGTH.

SPACER LENGTH = DECK THICKNESS - 8MM

FOR DECKS LESS THAN 10MM THICK, DO NOT USE SPACERS.

ENSURE STAPLE HEIGHT DOES NOT EXCEED 24 MM ABOVE DECK.

ENSURE DECK PLATE SITS PERPENDICULAR TO STAPLE AXES.

**DO NOT OVERTIGHTEN NUTS, MAX TORQUE = 7Nm**

**APPLY SEALANT/JOINTING COMPOUND BETWEEN THREADED COLLAR, DECK PLATE AND DECK.**

**spinlock**  
BE ADVENTURE-PROOF



**WARNING:**  
IF USING AS TEMPLATE, ENSURE PRINTER SETTINGS ARE ADJUSTED TO ACCOUNT FOR THE DRAWING SCALE AND **ALWAYS** CHECK DIMENSIONS.



**COPYRIGHT:**  
THIS DRAWING IS PROTECTED BY COPYRIGHT. ANY USE IS FORBIDDEN WITHOUT THE WRITTEN CONSENT OF SPINLOCK.

ALL DIMENSIONS IN MM

FASTENERS

WEIGHT

MAX LOAD

SCALE PAGE SIZE DATE

M6 x 2

75g

0° FROM VERTICAL, SWL = 2150KG  
45° FROM VERTICAL, SWL = 1290KG  
90° FROM VERTICAL, SWL = 1290KG

1:1

A4

APR 2018

**PD/6C**

FOR MORE INFO CONTACT  
SPT@SPINLOCK.CO.UK