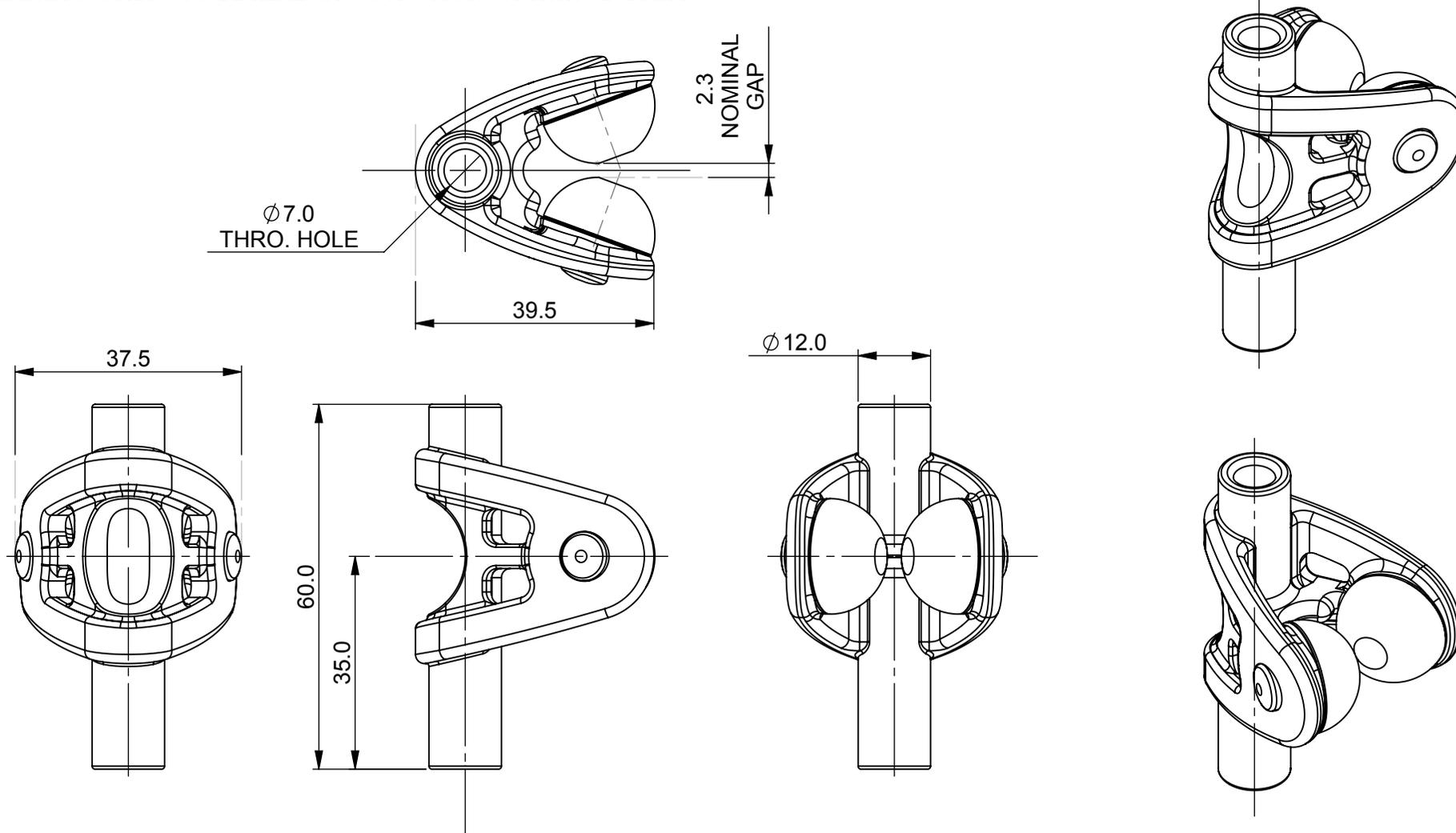


REFERENCE DRAWING ONLY - TO BE READ IN CONJUNCTION WITH 3D DATA



Part No. RF/H

1	PRODUCTION ISSUE	07/11/08				
REV	DESCRIPTION	DATE			DRAWN 3RD ANGLE PROJECTION	ALL DIMS IN mm UNLESS OTHERWISE STATED
DRN	DATE	USED ON:				DRAWING TITLE
NS	07/11/08	RF/H				HEADSAIL FEEDER
F	SCALE	M/C LIMITS:			THIS DRAWING IS PROTECTED BY COPYRIGHT. ANY USE IS FORBIDDEN WITHOUT THE WRITTEN CONSENT OF SPINLOCK.	DRAWING NO:
A4	1:1	0.0 = +/- 0.2 0.00 = +/- 0.1				RF/H

spinlock

SPINLOCK LTD
41 BIRMINGHAM ROAD
COWES I.O.W. PO31 7BH
TEL: +44 (0)1983 295555
FAX: +44 (0)1983295542