

RACING PRODUCTS



spinlock  
BE ADVENTURE-PROOF

# RACING

## PRODUCTS GUIDE



Spinlock Limited quality management system is accredited to:

EN ISO9001:2008 by Force Certification

Cover image: Jesús Renado

Product Photography: Richard Boll

# INTRODUCTION

For over 30 years Spinlock has held its position as the experts in rope holding technology, and is consistently the choice of winning teams in every type of yacht racing.

Spinlock continues to work closely with the top designers, teams and rope manufacturers in dinghy, grand prix and ocean racing to ensure our hardware products fit seamlessly into the latest and best operating systems.

Spinlock products remain at the forefront of innovation and technology, and through the ranges of high performance hardware and safety products can deliver confidence, allowing crew to focus on pushing performance to the limit. Top quality products are backed up with the service and expertise of the Spinlock Special Projects Team to ensure correct equipment choices are made at the inception of design or refit work and the continued support from Spinlock is available through the design, build, sea trial sailing and racing phases.

Experts in the science of rope holding, Spinlock products not only excel on paper but also in serviceability, reliability, and functionality, all backed up with comprehensive understanding of the usage-profile of each of the wide ranging applications on board a racing yacht.

Spinlock rope management and load measurement sectors deliver products that allow you to safely push the limits of equipment throughout rigging systems and seek marginal gains.

Spinlock is well known for its quality service and aftersales care. The Special Projects Team aim to respond within 24hrs [spt@spinlock.co.uk](mailto:spt@spinlock.co.uk)







ZS1014C IN CUSTOM MATT BLACK



ZS0812/CG



ZS0812/CGR



ZS1618C

# ZS CARBON POWERJAMMER

LIGHTWEIGHT JAMMERS FOR HIGH LOADS



ZS Carbon Jammers for ultimate load holding and least product weight

Lines 10 - 32mm (3/8 - 1 1/4")

Loads up to 12,000kg (26,460lbs)

Model	Line Dia	SWL at max line dia	Weight
ZS0812CG	8-12mm ( $\frac{5}{16}$ - $\frac{1}{2}$ " )	1500kg (3307lbs)	425g (15oz)
ZS1014C	10-14mm ( $\frac{3}{8}$ - $\frac{9}{16}$ " )	4000kg (8820lbs)	1024g (36.2oz)
ZS1014B	10-14mm ( $\frac{3}{8}$ - $\frac{9}{16}$ " )	4000kg (8820lbs)	630g (22.2oz)
ZS1618C	16-18mm ( $\frac{5}{8}$ - $\frac{11}{16}$ " )	6000kg (13230lbs)	1390g (49.0oz)
ZS1618B	16-18mm ( $\frac{5}{8}$ - $\frac{11}{16}$ " )	6000kg (13230lbs)	910g (32.1oz)
ZS1824C	18-24mm ( $\frac{11}{16}$ - $\frac{15}{16}$ " )	8000kg (17640lbs)	2100g (73.5oz)
ZS2632C	26-32mm (1- $\frac{1}{4}$ " )	12000kg (26460lbs)	5100g (179.9oz)

ZS0812/CG Lightweight ZS Alloy Jammer, lines 8-12mm with Ceramic series jaw set.

## ZS 'HC' Series For use in:

ZS-JAW08HC	ZS0812/CG
ZS-JAW12HC	ZS1214 and ZS1014C
ZS-JAW16HC	ZS1618 and ZS1618C
ZS-JAW18HC	ZS1824C

## Features

ZS Carbon Jammers are supplied with high tensile fasteners for standard mounting.

Digitally modelled jaw surfaces hold high tech rope securely at its safe working load

Excellent performance on smaller diameter lines

Easy on-deck service access

Latest jaw technology offers consistent holding of blended covered ropes with ceramic coated jaws

Mounting plate available for top mounting on masts etc

High visibility handle printing

Custom finishes available

Easily integrated in structures

## ZS Bonded Series

Smaller and lighter than standard models, supplied unpainted for direct bonding. Applications include foredeck tack control lines and remote release locks, bonded to mast and booms

## ZS Ceramic 'HC' Series Jaws

Ceramic Jaws are especially designed for ropes with blended covers; polyester with high tech fibres such as Aramid, Technora, Codura or Vectran

ZS 'HC' Series Jaws have enhanced grip detail with ceramic coating to resist the polishing and wear caused by loaded rope at high line speed and allows faster engagement onto highly loaded line and improves load holding performance

## ZS0812/CG

Super lightweight grand prix version of the alloy ZS0810 jammer weighing only 475g, with remote operation capabilities.



CERAMIC JAWS

# XX SERIES XXA, XXB & XXC POWERCLUTCH

SECURE CLUTCHING FOR HIGH LOADS



## Features

XX Series:

Latest jaw technology for consistent holding of performance ropes

Optimised for high performance 8-12mm (5/16-1/2") line diameters

Smooth controlled release action

One-piece jaw set is easy to remove and clean

Access ports for fresh water flushing

Line height optimised for correct lead to winch and side mounting

Holds lines up to a massive 2350kg working load

Side mount version

Ceramic jaws offer consistent holding of blended ropes and extended jaw life (XXB/XXC)

Internal Torlon roller bearings ensure lasting performance and durability under high loads (XXB/XXC)

Bonded version for building directly into deck or rig to save installed weight (XXC only)

Remote operation option

Lock Open feature allows lines to run through freely with handle closed, for applications such as mainsheets and spinnaker sheets

Lock open feature allows structural integration and jammer style operation (release using winch)

Black or silver anodised (all models) or amber anodised (XXC only)

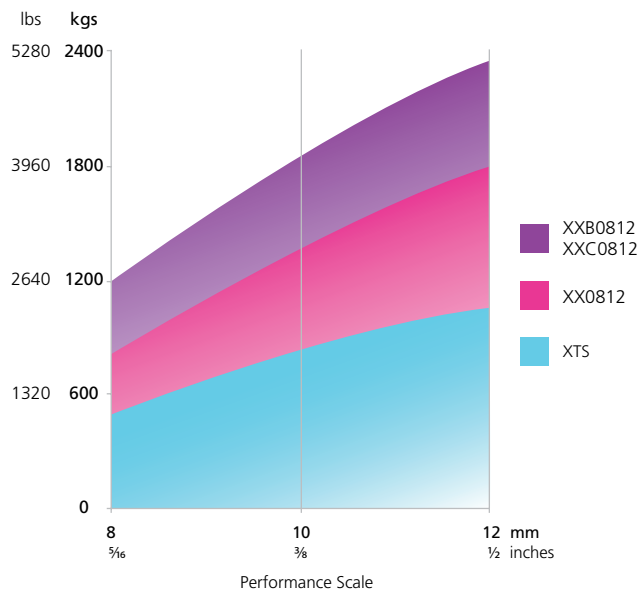
The only secure clutch solution for performance yachts

Lines 8 - 12mm (5/16 - 1/2")

XXA Loads up to 1800kg (3970lbs)

XXB Loads up to 2350kg (5180lbs)

XXC Loads up to 2350kg (5180lbs)





## XX SERIES | ROPE HOLDING RANGE

	XXA	XXB	XXC
WEIGHT	1100kg	1100kg	900kg
MAX WORKING LOAD	1800kg	2350kg	2350kg
ANODISED JAWS	✓	✗	✗
CERAMIC JAWS	✗	✓	✓
TORLON ROLLER UPGRADE	✗	✓	✓
TITANIUM COMPONENTS	✗	✗	✓
LIGHTWEIGHT MACHINED HANDLE	✗	✗	✓
ULTRA LIGHTWEIGHT MACHINED BODY	✗	✗	✓
UNIDIRECTIONAL CARBON REINFORCEMENT	✗	✗	✓
BONDED OPTION AVAILABLE	✗	✗	✓
BLACK ANODISED	✓	✓	✓
SILVER ANODISED	✓	✓	✓
AMBER ANODISED	✗	✗	✓



XXA0812 BLACK



XXA KIT



XX0812 BONDED



XXC




ZS1824C



XX REMOTE



	Black
	Silver
	Amber

Part No.	Description
<b>XXA</b>	
XX0812	Black
XX0812/S	Silver
XX0812/HP	Black, Side Mount Port
XX0812/HS	Black, Side Mount Starboard
XX0812/L	Black, Lock Open
XX0812/R	Black, Remote
XX0812/LS	Silver, Lock Open
XX0812/RS	Silver, Remote
<b>XXB</b>	
XXB0812	Black
XXB0812/S	Silver
XXB0812/HP	Black, Side Mount Port
XXB0812/HS	Black, Side Mount
XXB0812/L	Black, Lock Open
XXB0812/R	Black, Remote
XXB0812/LS	Silver, Lock Open
XXB0812/RS	Silver, Remote
<b>XXC</b>	
XXC0812	Black
XXC0812/A	Amber
XXC0812/S	Silver
XXC0812/HBP	Black, Sidemount Port, Bonded
XXC0812/HBS	Black, Sidemount Starboard, Bonded
XXC0812/R	Black, Remote Operation ONLY (No Handle)
XXC0812/HP	Black, Sidemount Port, Bolted
XXC0812/HS	Black, Sidemount Starboard, Bolted
XXC0812/L	Black, Lock Open
XXC0812/R	Black, Remote

All XXA, XXB and XXC colour options and sidemount configurations are also available as lock open or remote variants, contact Spinlock for part codes.

# XCS GRAND PRIX POWERCLUTCH

HIGH LOAD ROPE HOLDING



The XCS GP range offers lightweight and reliable handle release rope holding

## XCS0610

Lines 6 - 10mm (1/4-3/8")  
Loads up to 700kg (1543lbs)

## XCS0814

Lines 8-14mm (5/16"-9/16")  
Loads up to 1000kg (2640lbs)

## XCS1216

Lines 12-16mm (5/16"-9/16")  
Loads up to 1200kg (2640lbs)

## Features

Ceramic CAM and Base versions for consistent holding of modern performance lines

XCS offers large diameter rope holding in a clutch

Lightweight, machined aluminium sides for sustained high load operation

Lightweight, machined XCS handle

Available in white coated, black anodised or silver polished alloy to match deck, rig or other Spinlock hardware

Mirror polished stainless steel versions also available

Handle label set supplied

Large Diameter line version XCS1216

Small diameter line optimised versions XCS0610

Continuous Line version for assembly onto the line for endless line systems

Side Mounting versions for spars, side decks and coamings

Lock-Open Cam version. When the lock is engaged, the line is able to run freely in both directions until normal clutch function is needed

## Stainless Steel Sided XCS/SS

Mirror polished stainless steel sided versions, available in single, double and triple. Popular with classic yachts to match extensive custom on deck stainless metal work

XCS0814/SS1, XCS0814/SS2, XCS0814/SS3



CERAMIC CAM & BASE



Model	Line Dia	SWL at max line dia
XCS0610/1WCG	6-10mm (1/4-3/8")	700kg (1543lbs)
XCS0610/1BCG	6-10mm (1/4-3/8")	700kg (1543lbs)
XCS0610/1SCG	6-10mm (1/4-3/8")	700kg (1543lbs)
XCS0814/1WCG	8-14mm (5/16-9/16")	1200kg (2640lbs)
XCS0814/1BCG	8-14mm (5/16-9/16")	1200kg (2640lbs)
XCS0814/1SCG	8-14mm (5/16-9/16")	1200kg (2640lbs)

# ZS-RLB REMOTE RELEASE

## REMOTE OPERATION OF ZS JAMMERS



For use with ZS0810, ZS1214, ZS1014C and ZS1618 Jammers

### Features

ZS-RLB Remote Release Switch

1. Lock - ZS-RLB switch in forward 'locking position' - the line is loaded or ready for load
2. Pre-set - With the line under load the ZS-RLB switch is rotated to the 'unlock' position - this pre-tensions the trip line ready for release
3. Fire - Load on the line is taken on a winch and ZS Jaws spring to the open position. The load can now be released from the winch, to run freely through the ZS

For use with ZS0810, ZS1214, ZS1014C, ZS1618 and ZR Jammers, or existing halyard locks

Allows the jammer to be pre-tensioned to release automatically, when the load is taken on the winch

ZS1214, ZS1618, ZS1014C, ZS1618C, ZS1014B, ZS1618B and ZR Jammers are all supplied with jaws and rear block drilled for trip line attachment and lead



ZS0810/OVEN



ZS2632/OVEN



ZS1014C

# ZS OPEN POWERJAMMER

## MOBILE HIGH LOAD JAMMER



### Features

Easily attached to any strong point with a strop

Hinged body can be opened and closed like a snatch-block

Acts as an emergency line clamp in case of winch or other hardware failure, jammed halyards, riding turns or damaged lines

Frees a winch for a sail change

Custom options include rig or deck mounting holes

The essential solution for peeling spinnakers, headsails and reefing. Unbeatable in an emergency

Lines 8 - 32mm (5/16 - 1 1/4")

Loads up to 7800kg (17,190lbs)

Model	Line Dia	SWL at max line dia
ZS0810/OVEN	8-10mm (5/16-3/8")	1200kg (2650lbs)
ZS1014/OVEN	10-14mm (3/8-9/16")	1800kg (3970lbs)
ZS1418/OVEN	14-18mm (9/16-11/16")	3200kg (7040lbs)
ZS1824/OVEN	18-24mm (11/16-15/16")	5200kg (11440lbs)
ZS2632/OVEN	26-32mm (1-1/4")	7800kg (17160lbs)

# PXR CAM CLEAT

THE EASIEST CLEAT TO RELEASE



## Features

- Fast precise control for hand tensioned lines
- Hard anodised alloy cam and base
- Ideal for high performance lines
- Micro size for small diameters
- Three stage release control switch
- Ideal for single line spinnaker hoist systems
- Resists accidental re-cleating
- Audible lock

Compact cam cleat for easy fast release of high performance controls and mainsheets under load

Compact cam cleat for easy fast release of high performance controls and mainsheets under load

Lines 2 - 6mm (3/32 - 1/4")

Lines 8 - 10mm (5/16 - 3/8")

Loads up to 200kg (440lbs)



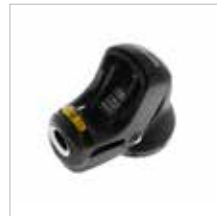
PXR0206



PXR0206/T



PXR0206/SW



PXR0810/SW



PXR0810



PXR0810/SW

Model	Line Dia	SWL at max line dia	Break load	Weight
PXR0206	2-6mm (3/32-1/4")	140kg (308lbs)	280kg (616lbs)	43g (1.5oz)
PXR0206/SW	2-6mm (3/32-1/4")	140kg (308lbs)	280kg (616lbs)	77g (2.7oz)
PXR0206/VP	2-6mm (3/32-1/4")	140kg (308lbs)	280kg (616lbs)	97g (3.4oz)
PXR0206/T	2-6mm (3/32-1/4")	140kg (308lbs)	280kg (616lbs)	53g (1.9oz)
PXR0810	8-10mm (5/16-3/8")	200kg (440lbs)	400kg (880lbs)	84g (2.9oz)
PXR0810/SW	8-10mm (5/16-3/8")	200kg (440lbs)	400kg (880lbs)	124g (4.3oz)
PXR0810/T	8-10mm (5/16-3/8")	200kg (440lbs)	400kg (880lbs)	101g (3.5oz)



# TSR ORGANISER

FOR LEADING HIGHLY LOADED LINES



## TSR Organiser

Aft Organiser for diverting lines from clutches and jammers

and

## TSR Low Sheave Organiser

Forward Organiser for diverting high loaded lines

20mm and 30mm diameter alloy sheaves

30mm sheaves for diverting large deflection angles and large diameter lines

All rotating sheaves with plain bearings

Fixed Sheaves can be inserted in the organiser to further increase deflection loads

Alloy top rails

Modular design and assembly – Sheaves can be moved to any spacing

Sheave diameters can be optimised for each application

Tulip shaped design reduces friction from vertical deflection

Low profile design

Simple inserting and removal of endless lines

Central shaft designed to spread load through laminate

Titanium parts available to further reduce weight

Custom sheave spacing and Spinlock design service available

Sheave	20	30	Fixed
Height	Standard	Standard	Standard
	Low	Low	Low
Material	Stainless Steel	Stainless Steel	Stainless Steel
	Titanium	Titanium	Titanium

## TSF Endless Line Organiser

High load Organiser with opening access

Organiser with opening access for endless lines where code sails will be removed from deck

20mm diameter alloy sheaves

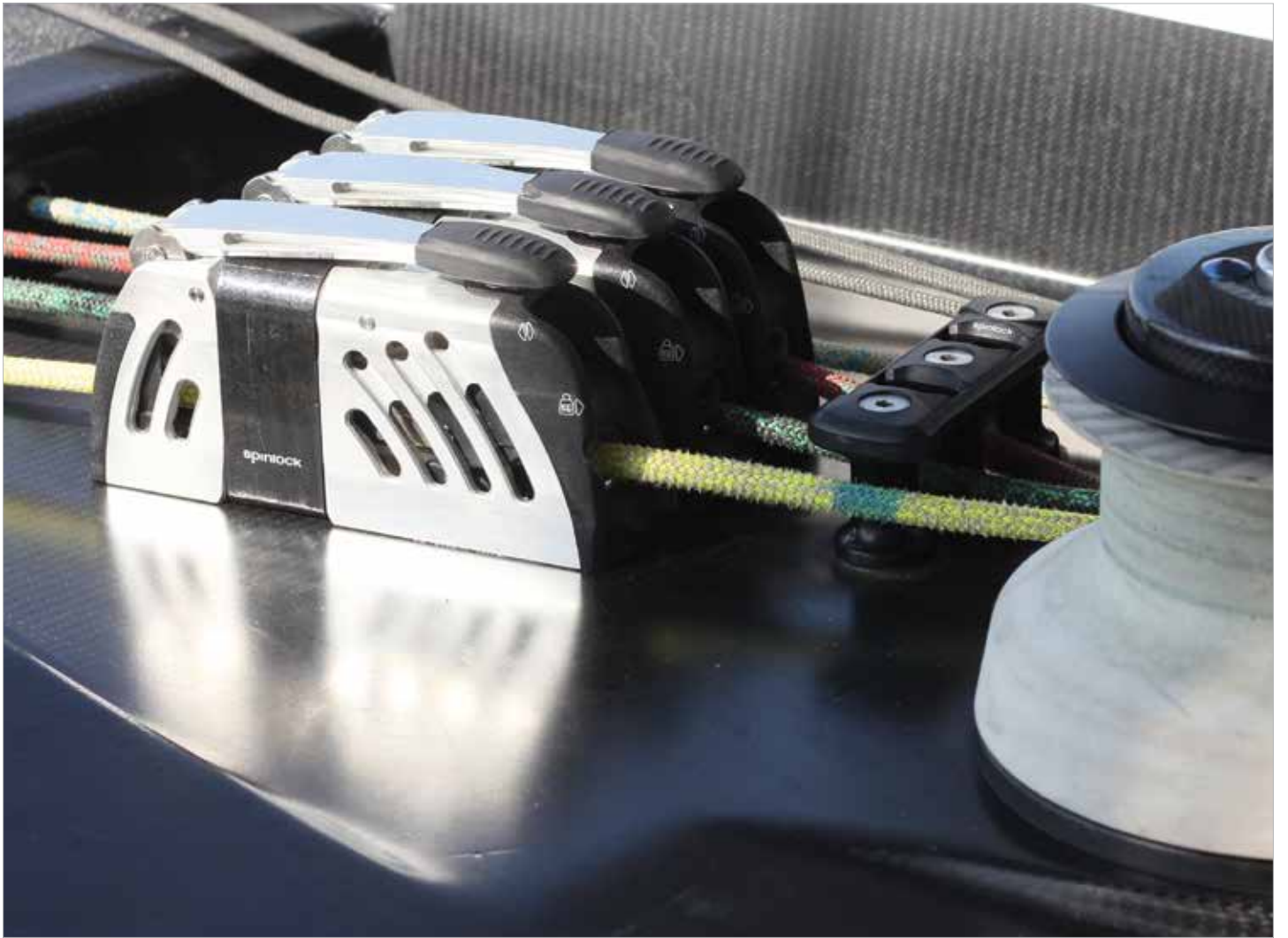
Sheave height reduced to maximise sheave load

Very low profile design

All rotating sheaves with plain bearings

Alloy top rails

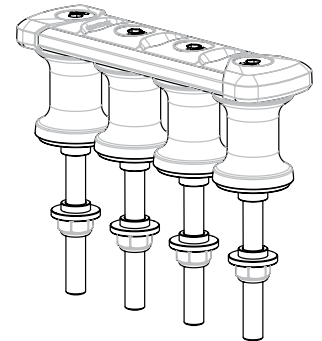
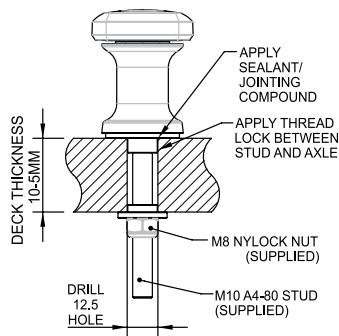
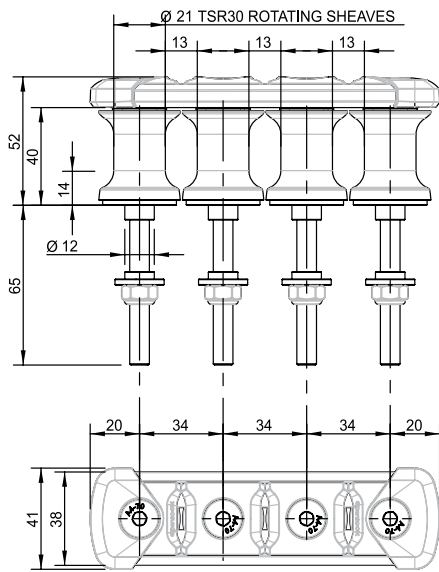




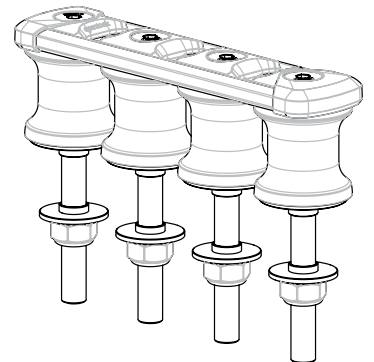
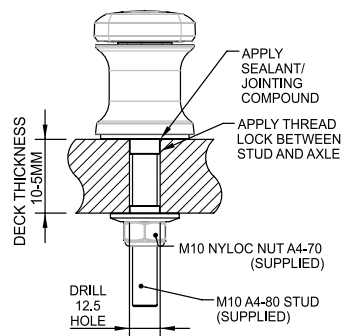
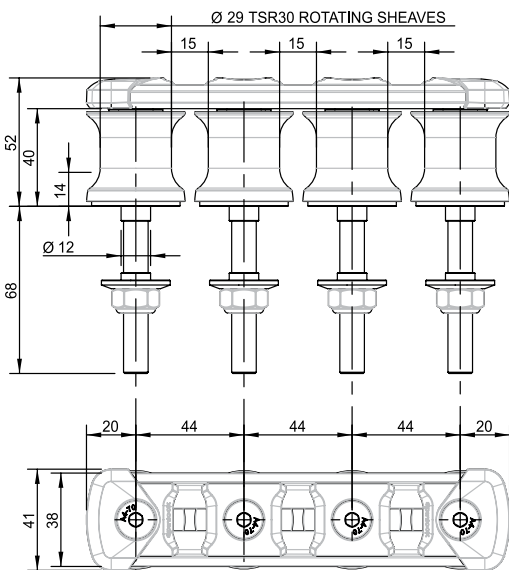
# TSR ORGANISER

For leading highly loaded line

## TSR20



## TSR30



### When to use fixed sheaves?

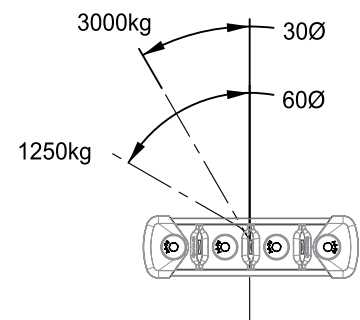
Use fixed sheaves when deflections are low or non-existent and for increased stability and support for highly loaded lines

### When to use Titanium?

Specify titanium when weight saving is premium

Maximum Loads	TSR20	TSR30
SHEAVE LOAD	1500kg	2500kg
TOTAL COMBINED SHEAVE LOAD	750kg x number of sheaves	1250kg x number of sheaves
30° DEFLECTED ROPE LOAD	3000kg	5000kg
60° DEFLECTED ROPE LOAD	1500kg	2500kg

SHEAVE SPACING:  
MINIMUM SHEAVE SPACING SHOWN. ADJUSTABLE IN 1.0MM INCREMENTS

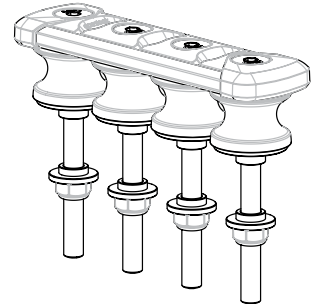
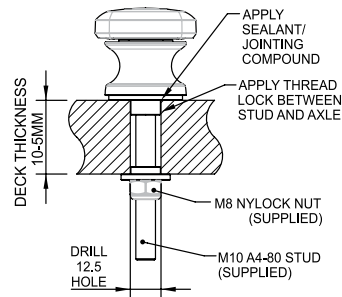
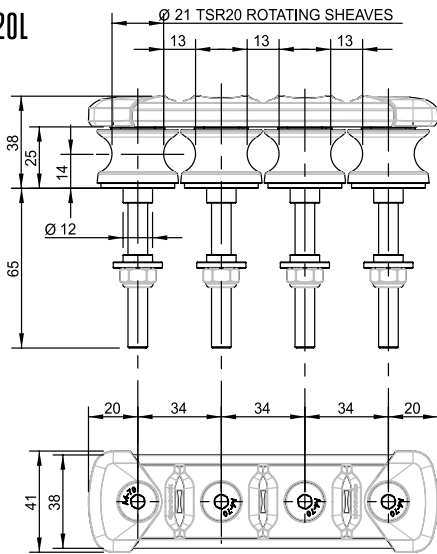




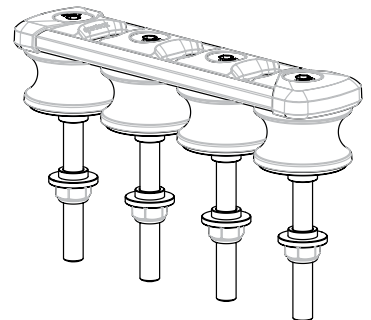
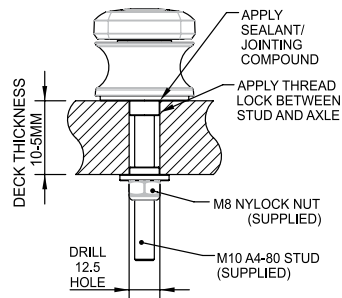
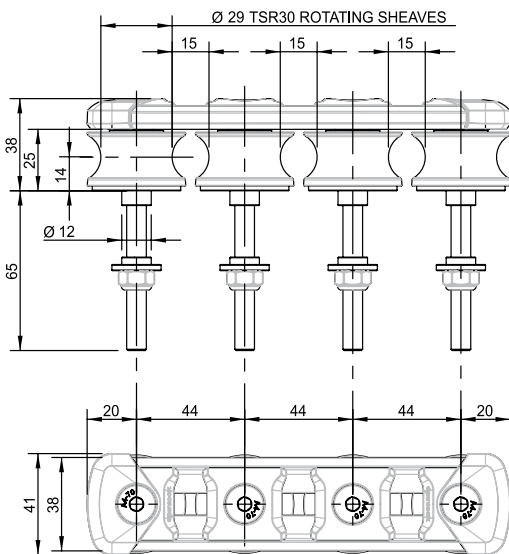
# TSR LOW SHEAVE ORGANISER

For leading highly loaded line

## TSR20L



## TSR30L



### When to use low sheave TSR?

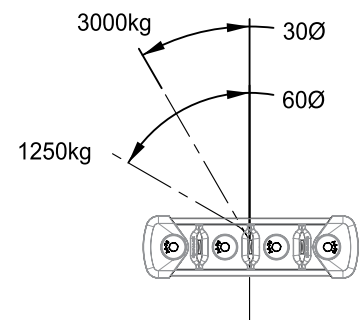
Use low sheave versions where space is restricted such as in-deck tunnel systems and mast bases

### When to use larger diameter 30mm sheaves?

Use 30mm sheaves for diverting highly loaded lines, diverting large deflections and large diameter lines

Maximum Loads	TSR20L	TSR30L
SHEAVE LOAD	1500kg	2500kg
TOTAL COMBINED SHEAVE LOAD	750kg x number of sheaves	1250kg x number of sheaves
30° DEFLECTED ROPE LOAD	3000kg	5000kg
60° DEFLECTED ROPE LOAD	1500kg	2500kg

SHEAVE SPACING:  
MINIMUM SHEAVE SPACING SHOWN. ADJUSTABLE IN 1.0MM INCREMENTS



# PD PAD EYES

STRONG POINT



## Features

Carbon deck and backing plates

High quality 17-4PH stainless steel

Excellent strength to weight ratio, equivalent strength to next size up of many manufacturers

Increased through laminate bearing surfaces to minimise tearing

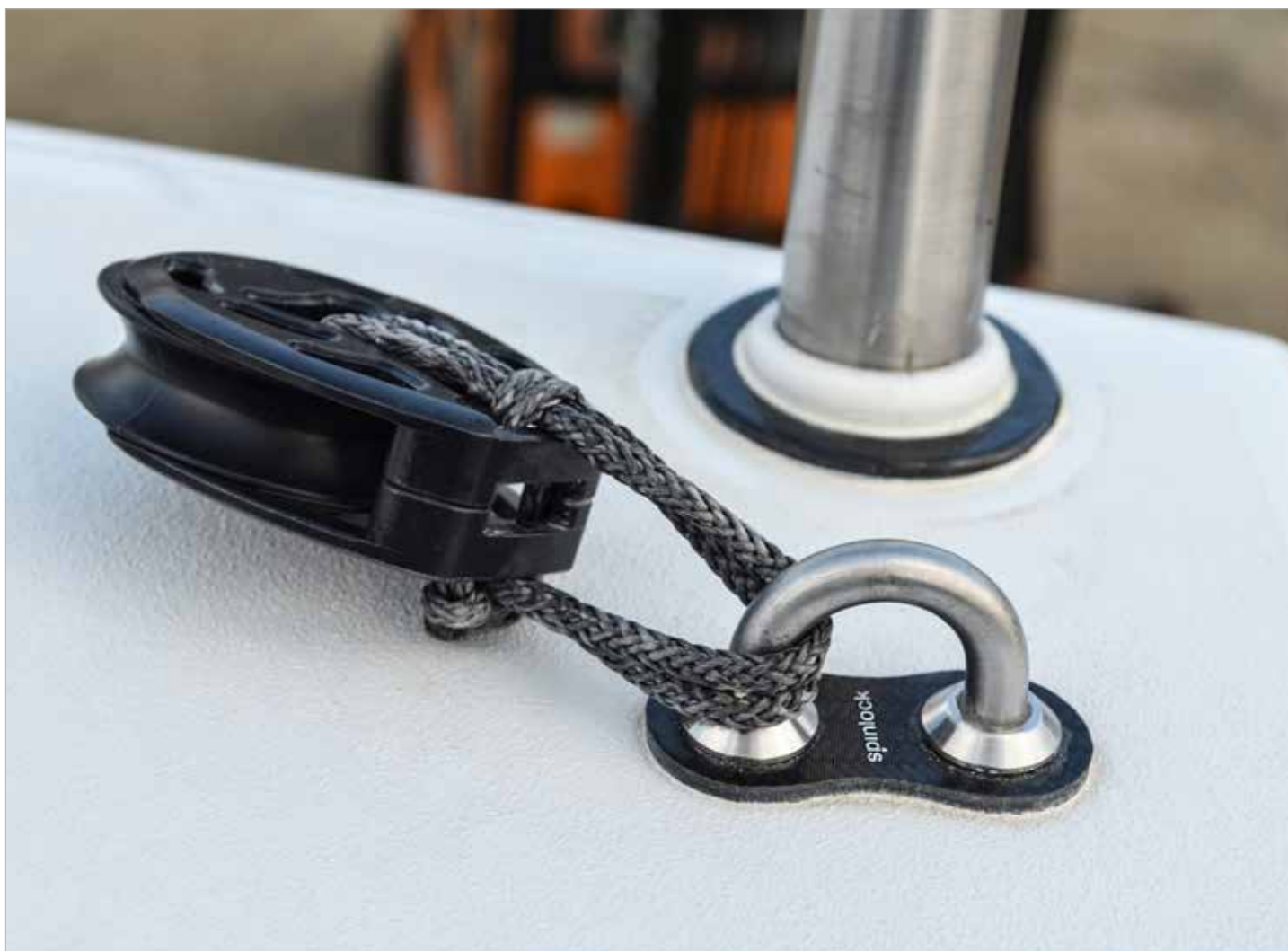
Significantly reduced weight to previous padeye range

Improved shock loading resistance

Compact foot print and the ability to 'nest' together

Easily sealed

Model	SWL Vertical (kg)	SWL 45 (kg)	SWL Horizontal (kg)
PD/6C	2150	1290	1290
PD/8C	4000	2400	2400
PD/10C	7600	5250	5250
PD/12C	9750	6750	6750



# EA TILLER EXTENSION

UNIQUE HELMING PRECISION



Telescopic extensions shaped for precision helming in four standard lengths

Designed for the hardest conditions, to reduce the strain and increase the sheer enjoyment of helming



Model	Length Closed	Length Extended
EA/900S	600mm (23 <sup>5</sup> / <sub>8</sub> " )	900mm (35 <sup>7</sup> / <sub>16</sub> " )
EA/1200S	750mm (29 <sup>5</sup> / <sub>8</sub> " )	1200mm (47 <sup>1</sup> / <sub>4</sub> " )
EA/1600S	950mm (37 <sup>13</sup> / <sub>32</sub> " )	1600mm (63" )
EA/2000S	1350mm (53 <sup>5</sup> / <sub>32</sub> " )	2000mm (78 <sup>3</sup> / <sub>8</sub> " )

## Features

The Asymmetric grip improves helming performance in three ways:

- \\ More feedback - for accurate and precise control
- \\ More mobility - maintains the best helming position for optimum trim and visibility
- \\ Less fatigue - correct helming position reduces back pain and improves concentration

Asymmetric grip fits the hand and supports the wrist, on or off the wind

Allows two handed helming with arms relaxed into a more comfortable, elbows-down position

Push-button adjustment with Torlon™ ball locking mechanism

Strong stainless steel swivel joint for precise control

Removable fast pin for easy stowage

Integral shock absorber

For more grip select model EA/900SG or add E-GRIP to upgrade

E-JOINTGP - Titanium universal joint available for weight saving and improved tolerances

E-DIABOLO - Rubber universal joint thick and extra thick versions available. Convert or replace Spinlock tiller extensions with a Diabolo universal joint. Returns the extension to a vertical position when it is not in use.

E-JOINTGP (TITANIUM)



- Matt Orange
- Matt Black
- Matt Light Blue
- Silver
- Matt Yellow

# SENSE LOAD CELLS

## MOBILE LOAD TESTING



### Features

Actual loads often vary widely from design loads.

Sense range offers teams the ability to quickly and easily confirm actual working loads, refine deck hardware, rope

selection, sail choice and even sail trim

Ultra compact and designed to be quickly attached between any two loaded points, be it a fibre rope or hardware

Continuous real time 'Actual' and 'Peak' read out with trend graph

Data displayed on either colour OLED Screen or via the latest Bluetooth LE, to a mobile device such as a smart

phone, tablet or PC

Peak Load displayed both during and after the session - Recorded in the all new Sense-App

Overall accuracy 0.2% over full scale deflection

Rated to IP67, protected against short term immersion in water

Custom units rated up to 50 tonnes available

Attachment loops available, ZS-LOOP/5 and ZS-LOOP/10

To discuss your requirements please contact:

spt@spinlock.co.uk



LWS WORKS  
WITH SENSE APP

Simple, soft loop attachment offers fast connection to any applications, for quick load measurement

Loads up to 20,000kg (44,092lbs)

Part. No.	Description
LDS/5	Digital Sense with OLED display only, 5T maximum mobile load cell
LDS/10	Digital Sense with OLED display only, 10T maximum mobile load cell
LDS/15	Digital Sense with OLED display only, 15T maximum mobile load cell
LDS/20	Digital Sense with OLED display only, 20T maximum mobile load cell
LWS/5	Wireless Sense with Bluetooth connection only, 5T maximum mobile load cell (No Display)
LWS/10	Wireless Sense with Bluetooth connection only, 10T maximum mobile load cell (No Display)
LWS/15	Wireless Sense with Bluetooth connection only, 15T maximum mobile load cell (No Display)
LWS/20	Wireless Sense with Bluetooth connection only, 20T maximum mobile load cell (No Display)

# RIG SENSE RIG TENSION GAUGE

FOR 2-5MM & 5-8MM WIRE AND CABLE



## Features

Rig Tension gauge for repeatable rig settings - aids race set up and preparation.

Measure and set loads on both wire and fibres

Diameter range 2-5mm and 5-8mm

Direct linear scale with tension output

Composite calibrated leaf spring

Stainless steel contact points

Ergonomic robust body

Compact size, durable and light

Easy one handed operation

Storage bag included



Part. No.	Description
RGS/0205	Rig Sense 2-5mm wire/cable
RGS/0508	Rig Sense 5-8mm wire/cable

## FREE SPINLOCK APPS

The three Sense Apps allow users of Spinlock load measuring devices to work efficiently with their devices and store and manage their data in a single place.

Download all three Spinlock Apps from the Apple App Store or the Spinlock website.

**Rig-Sense App** – Using the Rig Sense, record data of critical settings to ensure repeatable race settings over differing conditions. Create templates to build settings, add images and share and export data for later analysis with your class.

**LW-Sense App** – Controls the Wireless Sense unit and displays and records data. Allows tagging of the application detail, Geo- location, test conditions, add images and share and export data for later analysis.

**LD-Sense App** – Using LD-Sense OLED unit, record data from the logging session, such as the application detail, test conditions, add images and share and export data for later analysis.



# MAST PRO MAST CLIMBING HARNESS



Part No.	Description
DW-MPH	Mast Pro Harness

Cobalt Blue	
-------------	---

## Target Users

All working at height on board a yacht or powerboat

## Features

Fully re-engineered for 2016, Extremely lightweight minimal design

Super slim, structured waist belt spreads the load evenly over it's full width, for comfort with reduced bulk

Unique Ratchet-Fit™ adjustment on leg straps for a secure, easy fit

Ergonomic sculptured waist belt and super wide leg straps for added comfort and lumbar support

Designed for use in the marine environment

Marine grade stainless steel 'double-back' buckles

Tripping spike pocket - Accessible from both sides

User replaceable leg strap elastics

Tool attachment points

CE Approved 0120 Type C - EN12277

# TOOL PACK



Part No.	Description
DW-PCT	Tool Pack

## Features

Heavy duty soft tool bucket for carrying large items aloft

Big enough for power tools, hammers and range of hand tools

Hard wearing PU coated fabric

3 large pockets

Internal pocket for small items

Lash points for tool security

# TRIPPING SPIKE



Part No.	Description
DW-FID	Tripping Spike

## Features

Improved fid design with shackle key for sizes 5-14mm

Sized for snap shackles up to Tylaska T20

Machined in hard anodised alloy

Knurled hand grip designed for safe control at high loads

Lanyard attachment hole

Shackle pin key slot

# MAST PRO

MAST CLIMBING HARNESS



RE-ENGINEERED,  
EXTREMELY SLIM  
& LIGHTWEIGHT



MARINE GRADE  
STAINLESS STEEL  
'DOUBLEBACK' BUCKLES



SLIM, STRUCTURED  
WAIST BELT SPREADS  
THE LOAD EVENLY FOR  
COMFORT AND REDUCED  
BULK



DESIGNED FOR USE  
IN THE MARINE  
ENVIRONMENT



TOOL  
ATTACHMENT  
POINTS



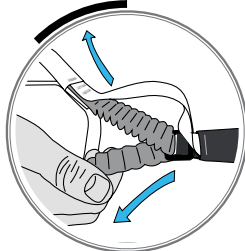
USER  
REPLACEABLE  
LEG STRAP  
ELASTICS



WIDE LEG STRAPS FOR  
ADDED COMFORT AND  
LUMBAR SUPPORT



RATCHET-FIT™  
ADJUSTMENT ON LEG  
STRAPS FOR A SECURE,  
EASY FIT



TRIPPING SPIKE  
POCKET ACCESSIBLE  
FROM BOTH SIDES





## DECKVEST 5D

### FULL SPECIFICATION AUTOMATIC INFLATING LIFEJACKET WITH DECK HARNESS

170N (38lbs) or 275N (62lbs) buoyancy

Very light, comfortable design for use over long periods

Automatic inflation - UML Pro Sensor or Hammar Hydrostatic

Pylon™ Lifejacket Light, Lume-On™ Bladder Illumination Lights and Sprayhood fitted

CE Approved      ISO12402-3 Lifejacket      ISO12401 Deck Harness      ISO12402-2 275N



## DECKVEST LITE+

### ULTRA LIGHTWEIGHT LIFEJACKET WITH DECK HARNESS

170N (38lbs) buoyancy

Ultra light, comfortable design for use over long periods

Automatic inflation - UML Pro Sensor or Hammar Hydrostatic

Optional Pylon™ Lifejacket Light, Lume-On™ Bladder Illumination Lights and Sprayhood

CE Approved      ISO12402-3 Lifejacket      ISO12401 Deck Harness



## DECK PRO HARNESS

### REVOLUTIONARY DECK SAFETY HARNESS

Ultra lightweight and comfortable design

Easy to fit with quick adjust 'double back' twin buckles in marine grade stainless steel

Soft loop tether attachment in high tensile webbing

Shoulder straps shaped towards the centre of the chest, for exceptional comfort and movement

CE approved      ISO 12401



## AERO PRO

### FOR HIGH AGILITY DINGHY, MULTIHULL, KEELBOAT SAILING OR SUPERYACHT FOREDECK CREW

50N flotation vest

Durable high stretch woven construction for close fitting body

Ultra flexible, high buoyancy soft foam

Access pocket for optional: D3O® Impact Protection, Back Protector or Hydration bladder

Available in 3 sizes      CE Approved      50N Buoyancy ISO12402-5





## SAFETY LINES

### LIGHT, COMPACT SAFETY LINES FOR PERFORMANCE SAILING

Up to 50% lighter and much more compact than conventional lines

Full strength, compact 18mm webbing - dry coated to reduce water absorption

Lighter weight safety clips

Overload indicator

CE Approved ISO12401



## CHEST PACK

### ULTRA LIGHTWEIGHT LIFEJACKET WITH HARNESS

170N (38lbs) buoyancy

Ultra light, comfortable design for use over long periods

Automatic inflation - UML Pro Sensor or Hammar Hydrostatic



## BELT PACK

### ULTRA LIGHTWEIGHT LIFEJACKET WITH HARNESS

170N (38lbs) buoyancy

Ultra light, comfortable design for use over long periods

Automatic inflation - UML Pro Sensor or Hammar Hydrostatic



## SIDE PACK

### ULTRA LIGHTWEIGHT LIFEJACKET WITH HARNESS

170N (38lbs) buoyancy

Ultra light, comfortable design for use over long periods

Automatic inflation - UML Pro Sensor or Hammar Hydrostatic



## DECK PACK

### 27 LITRE LIGHTWEIGHT BACKPACK

Lightweight backpack for stashing the day's essentials

Quick access pocket, bottle pocket, laptop sleeve and name patch

Volume - 27 litres





