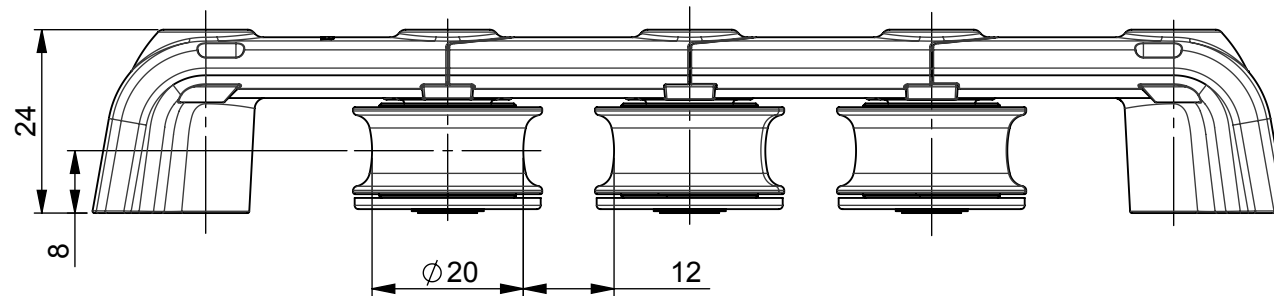
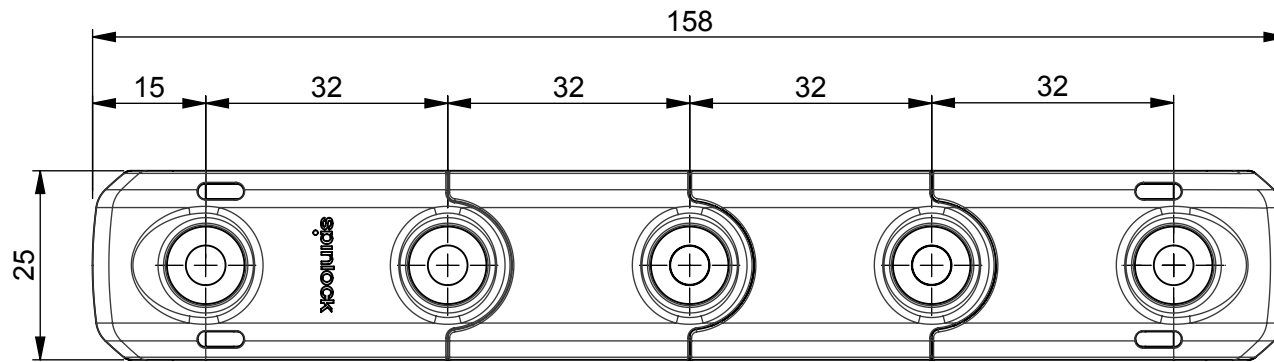
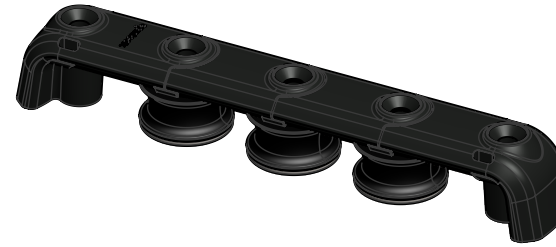


NOTES:

WEIGHT = 84g
DO NOT OVER TIGHTEN FIXINGS



spinlock		T25-3(2D)_MAR13	
ALL DIMENSIONS IN MM		LINE SIZE	UP TO Ø10MM
SCALE	1:1	FASTENERS	5 x M5 CSK A4-70
	PAGE SIZE (297 x 210)	A4	MAX LOAD N/A