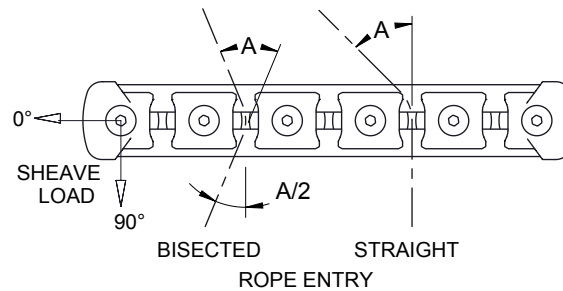


**MAXIMUM SHEAVE LOADS:**

LONGITUDINAL (0°)	2500kg
TRANSVERSE (90°)	1750kg
COMBINED	2500kg

**MAX ROPE TENSION (kg)**

DEFLECTION ANGLE 'A' (°)	BISECTED ENTRY	STRAIGHT ENTRY
15	9580	9410
30	4830	4510
45	3270	2820
60	2500	1960
90	1770	1240



**SHEAVE SPACING:**

STANDARD SHEAVE SPACING SHOWN.  
CUSTOM SPACING AVAILABLE IN 1.0MM INCREMENTS.

**WEIGHT:**

510g (INCLUDING FULL LENGTH STAINLESS STEEL DECK FIXINGS)  
TITANIUM OPTION AVAILABLE (344g) - CONTACT SPINLOCK FOR MORE INFORMATION.

**INSTALLATION:**

MOUNTING SURFACE MUST BE SUFFICIENTLY STRONG AND STIFF TO WITHSTAND COMPRESSIVE AND SHEAR FORCES EXERTED BY SHEAVE LOADING

**spinlock**  
BE ADVENTURE-PROOF



**WARNING:**  
IF USING AS TEMPLATE, ENSURE PRINTER SETTINGS ARE ADJUSTED TO ACCOUNT FOR THE DRAWING SCALE AND **ALWAYS** CHECK DIMENSIONS.



**COPYRIGHT:**  
THIS DRAWING IS PROTECTED BY COPYRIGHT. ANY USE IS FORBIDDEN WITHOUT THE WRITTEN CONSENT OF SPINLOCK.

ALL DIMENSIONS IN MM

SCALE

1:2

PAGE SIZE  
(297 x 210)

A4

DATE:

OCT17

LINE SIZE:

Ø15 MAX

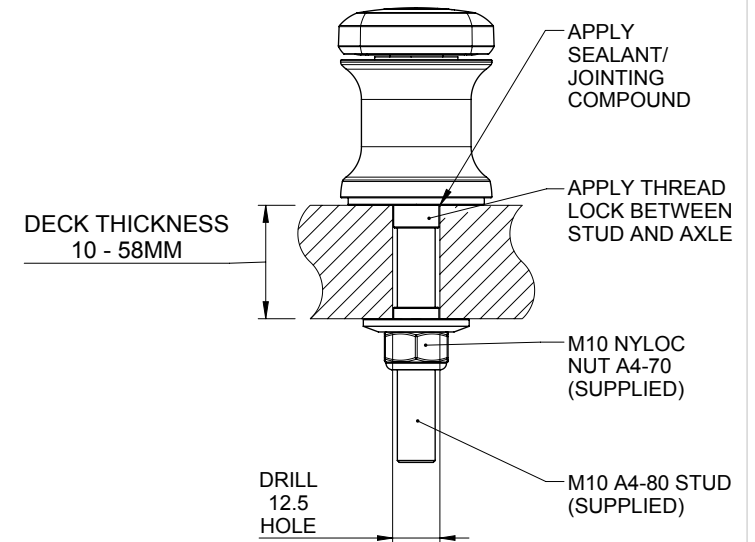
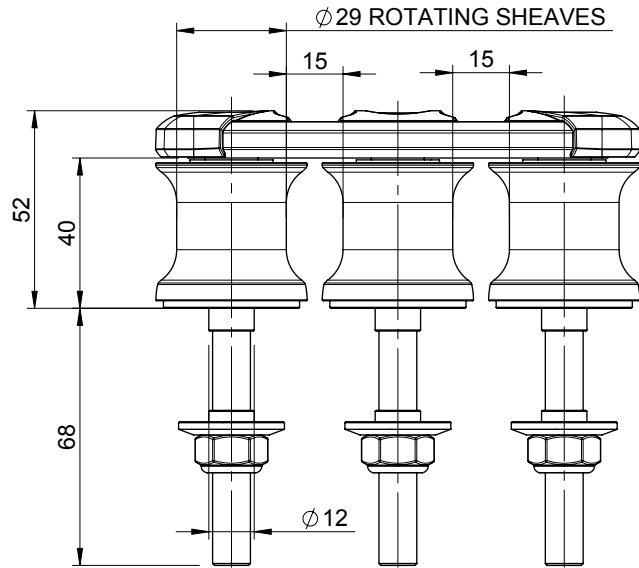
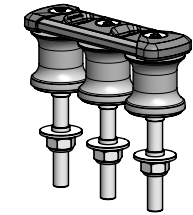
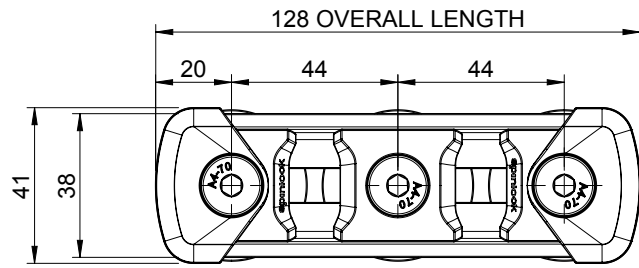
FASTENERS:

2 x M10

MAX LOAD:

SEE TABLE

**TSR30/2**

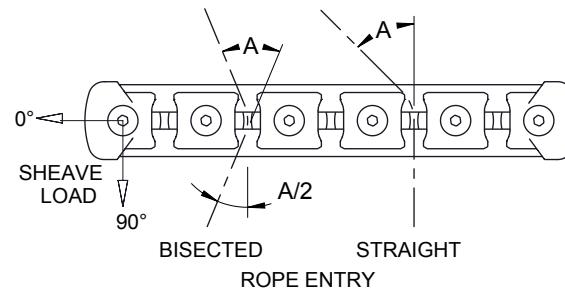


**MAXIMUM SHEAVE LOADS:**

LONGITUDINAL (0°)	2500kg
TRANSVERSE (90°)	1750kg
COMBINED	3750kg

**MAX ROPE TENSION (kg)**

DEFLECTION ANGLE 'A' (°)	BISECTED ENTRY	STRAIGHT ENTRY
15	9580	9410
30	4830	4510
45	3270	2820
60	2500	1960
90	1770	1240



**SHEAVE SPACING:**

STANDARD SHEAVE SPACING SHOWN.  
CUSTOM SPACING AVAILABLE IN 1.0MM INCREMENTS.

**WEIGHT:**

766g (INCLUDING FULL LENGTH STAINLESS STEEL DECK FIXINGS)  
TITANIUM OPTION AVAILABLE (518g) - CONTACT SPINLOCK FOR MORE INFORMATION.

**INSTALLATION:**

MOUNTING SURFACE MUST BE SUFFICIENTLY STRONG AND STIFF TO WITHSTAND COMPRESSIVE AND SHEAR FORCES EXERTED BY SHEAVE LOADING

**spinlock**  
BE ADVENTURE-PROOF



**WARNING:**  
IF USING AS TEMPLATE, ENSURE PRINTER SETTINGS ARE ADJUSTED TO ACCOUNT FOR THE DRAWING SCALE AND **ALWAYS** CHECK DIMENSIONS.



**COPYRIGHT:**  
THIS DRAWING IS PROTECTED BY COPYRIGHT. ANY USE IS FORBIDDEN WITHOUT THE WRITTEN CONSENT OF SPINLOCK.

ALL DIMENSIONS IN MM

SCALE

1:2

PAGE SIZE  
(297 x 210)

A4

DATE:

OCT17

LINE SIZE:

Ø15 MAX

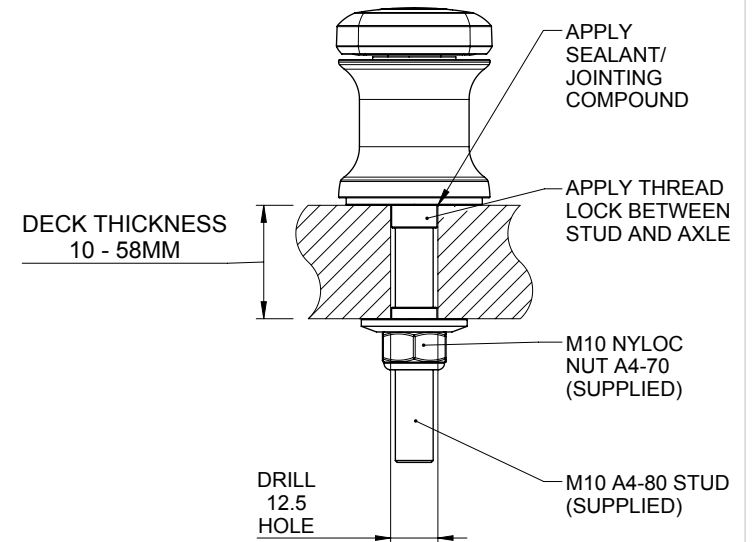
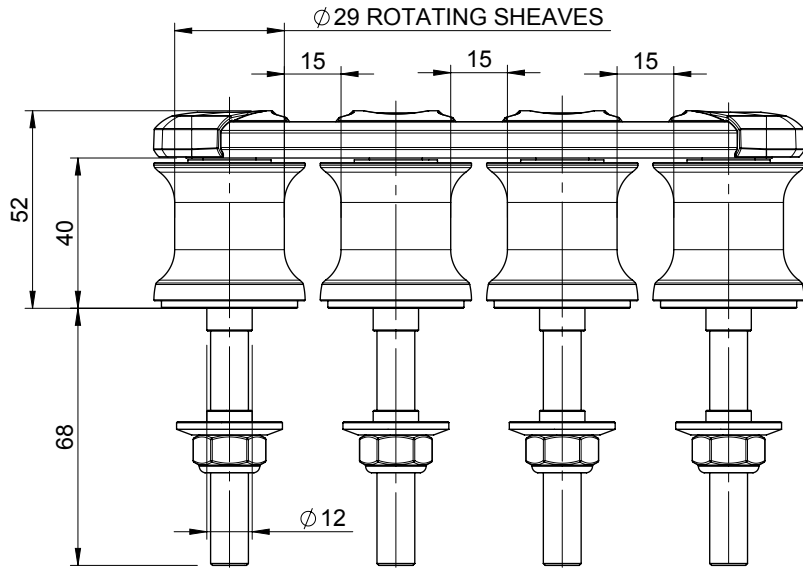
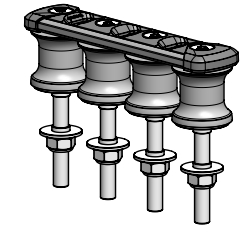
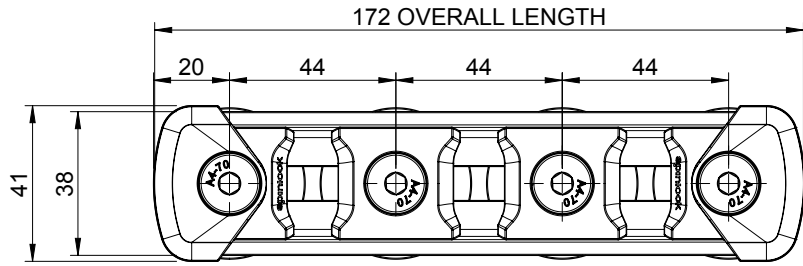
FASTENERS:

3 x M10

MAX LOAD:

SEE TABLE

**TSR30/3**

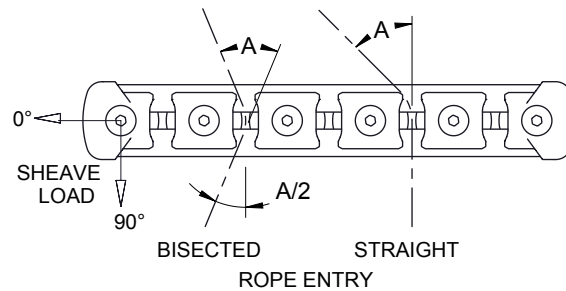


**MAXIMUM SHEAVE LOADS:**

LONGITUDINAL (0°)	2500kg
TRANSVERSE (90°)	1750kg
COMBINED	5000kg

**MAX ROPE TENSION (kg)**

DEFLECTION ANGLE 'A' (°)	BISECTED ENTRY	STRAIGHT ENTRY
15	9580	9410
30	4830	4510
45	3270	2820
60	2500	1960
90	1770	1240



**SHEAVE SPACING:**

STANDARD SHEAVE SPACING SHOWN.  
CUSTOM SPACING AVAILABLE IN 1.0MM INCREMENTS.

**WEIGHT:**

1023g (INCLUDING FULL LENGTH STAINLESS STEEL DECK FIXINGS)  
TITANIUM OPTION AVAILABLE (691g) - CONTACT SPINLOCK FOR MORE INFORMATION.

**INSTALLATION:**

MOUNTING SURFACE MUST BE SUFFICIENTLY STRONG AND STIFF TO WITHSTAND COMPRESSIVE AND SHEAR FORCES EXERTED BY SHEAVE LOADING

**spinlock**  
BE ADVENTURE-PROOF



**WARNING:**  
IF USING AS TEMPLATE, ENSURE PRINTER SETTINGS ARE ADJUSTED TO ACCOUNT FOR THE DRAWING SCALE AND **ALWAYS** CHECK DIMENSIONS.



**COPYRIGHT:**  
THIS DRAWING IS PROTECTED BY COPYRIGHT. ANY USE IS FORBIDDEN WITHOUT THE WRITTEN CONSENT OF SPINLOCK.

ALL DIMENSIONS IN MM

SCALE

1:2

PAGE SIZE  
(297 x 210)

A4

DATE:

OCT17

LINE SIZE:

Ø15 MAX

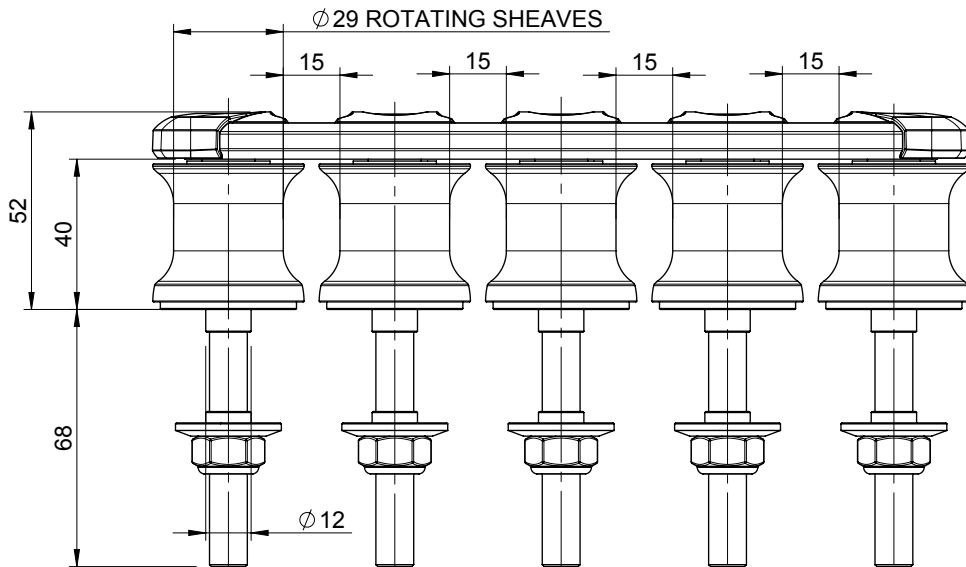
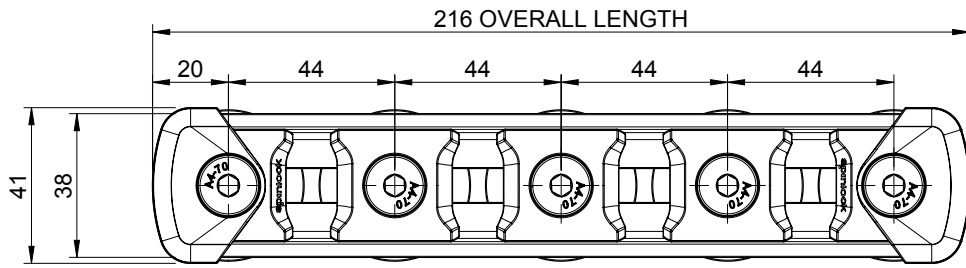
FASTENERS:

4 x M10

MAX LOAD:

SEE TABLE

**TSR30/4**

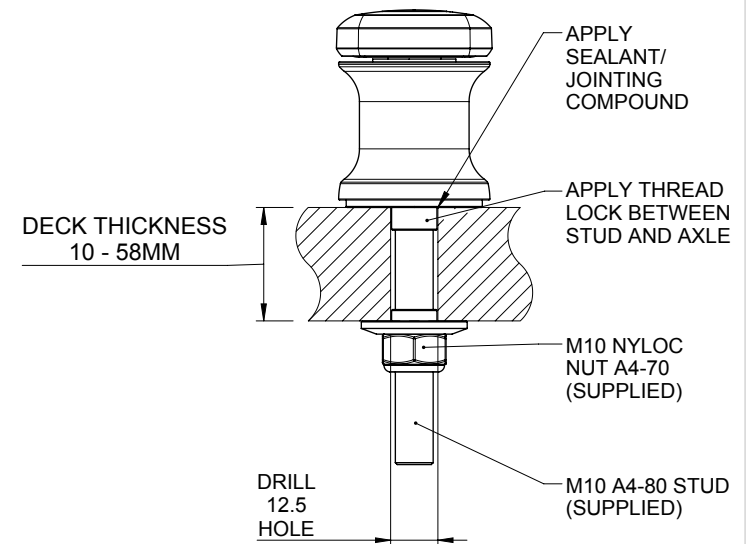
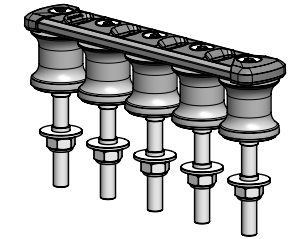
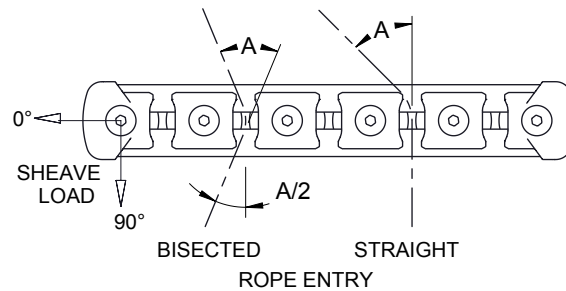


**MAXIMUM SHEAVE LOADS:**

LONGITUDINAL (0°)	2500kg
TRANSVERSE (90°)	1750kg
COMBINED	6250kg

**MAX ROPE TENSION (kg)**

DEFLECTION ANGLE 'A' (°)	BISECTED ENTRY	STRAIGHT ENTRY
15	9580	9410
30	4830	4510
45	3270	2820
60	2500	1960
90	1770	1240



**SHEAVE SPACING:**

STANDARD SHEAVE SPACING SHOWN.  
CUSTOM SPACING AVAILABLE IN 1.0MM INCREMENTS.

**WEIGHT:**

1279g (INCLUDING FULL LENGTH STAINLESS STEEL DECK FIXINGS)  
TITANIUM OPTION AVAILABLE (865g) - CONTACT SPINLOCK FOR MORE INFORMATION.

**INSTALLATION:**

MOUNTING SURFACE MUST BE SUFFICIENTLY STRONG AND STIFF TO WITHSTAND COMPRESSIVE AND SHEAR FORCES EXERTED BY SHEAVE LOADING

**spinlock**  
BE ADVENTURE-PROOF



**WARNING:**  
IF USING AS TEMPLATE, ENSURE PRINTER SETTINGS ARE ADJUSTED TO ACCOUNT FOR THE DRAWING SCALE AND ALWAYS CHECK DIMENSIONS.



**COPYRIGHT:**  
THIS DRAWING IS PROTECTED BY COPYRIGHT. ANY USE IS FORBIDDEN WITHOUT THE WRITTEN CONSENT OF SPINLOCK.

ALL DIMENSIONS IN MM

SCALE

1:2

PAGE SIZE  
(297 x 210)

A4

DATE:

OCT17

LINE SIZE:

Ø15 MAX

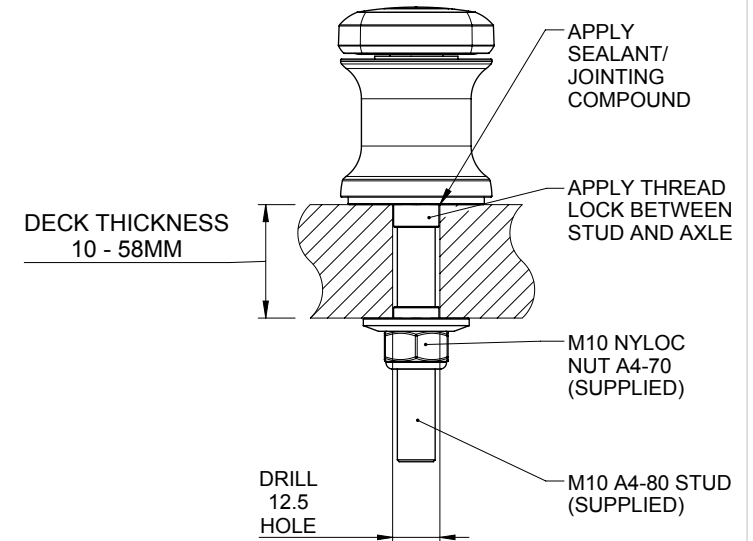
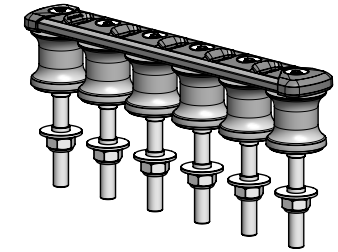
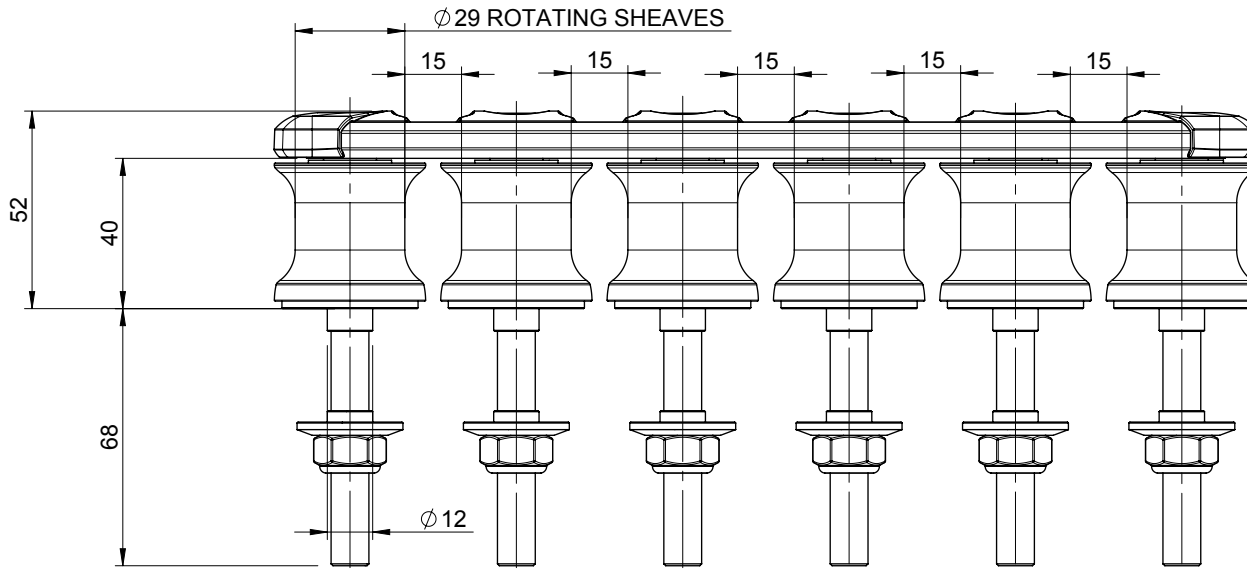
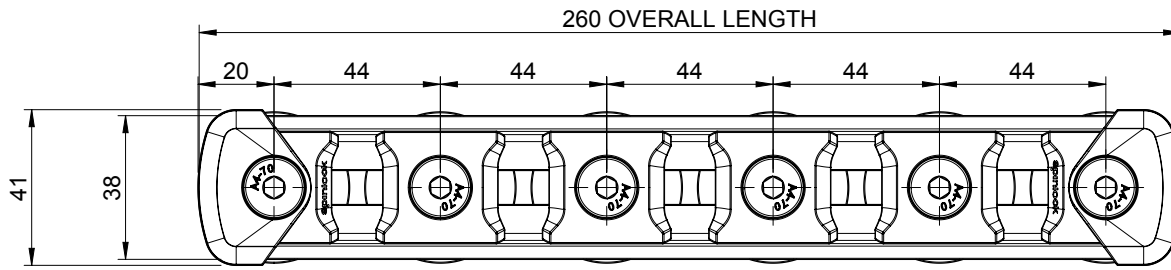
FASTENERS:

5 x M10

MAX LOAD:

SEE TABLE

**TSR30/5**

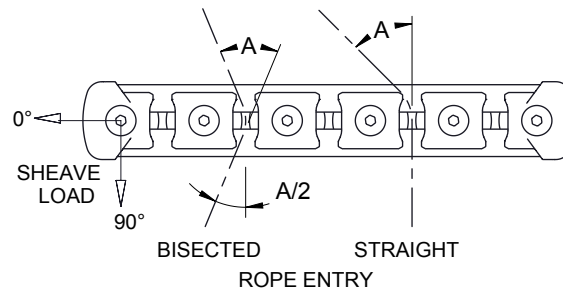


**MAXIMUM SHEAVE LOADS:**

LONGITUDINAL (0°)	2500kg
TRANSVERSE (90°)	1750kg
COMBINED	7500kg

**MAX ROPE TENSION (kg)**

DEFLECTION ANGLE 'A' (°)	BISECTED ENTRY	STRAIGHT ENTRY
15	9580	9410
30	4830	4510
45	3270	2820
60	2500	1960
90	1770	1240



**SHEAVE SPACING:**

STANDARD SHEAVE SPACING SHOWN.  
CUSTOM SPACING AVAILABLE IN 1.0MM INCREMENTS.

**WEIGHT:**

1535g (INCLUDING FULL LENGTH STAINLESS STEEL DECK FIXINGS)  
TITANIUM OPTION AVAILABLE (1038g) - CONTACT SPINLOCK FOR MORE INFORMATION.

**INSTALLATION:**

MOUNTING SURFACE MUST BE SUFFICIENTLY STRONG AND STIFF TO WITHSTAND COMPRESSIVE AND SHEAR FORCES EXERTED BY SHEAVE LOADING

**spinlock**  
BE ADVENTURE-PROOF



**WARNING:**  
IF USING AS TEMPLATE, ENSURE PRINTER SETTINGS ARE ADJUSTED TO ACCOUNT FOR THE DRAWING SCALE AND ALWAYS CHECK DIMENSIONS.



**COPYRIGHT:**  
THIS DRAWING IS PROTECTED BY COPYRIGHT. ANY USE IS FORBIDDEN WITHOUT THE WRITTEN CONSENT OF SPINLOCK.

ALL DIMENSIONS IN MM

SCALE

1:2

PAGE SIZE  
(297 x 210)

A4

DATE:

OCT17

LINE SIZE:

Ø15 MAX

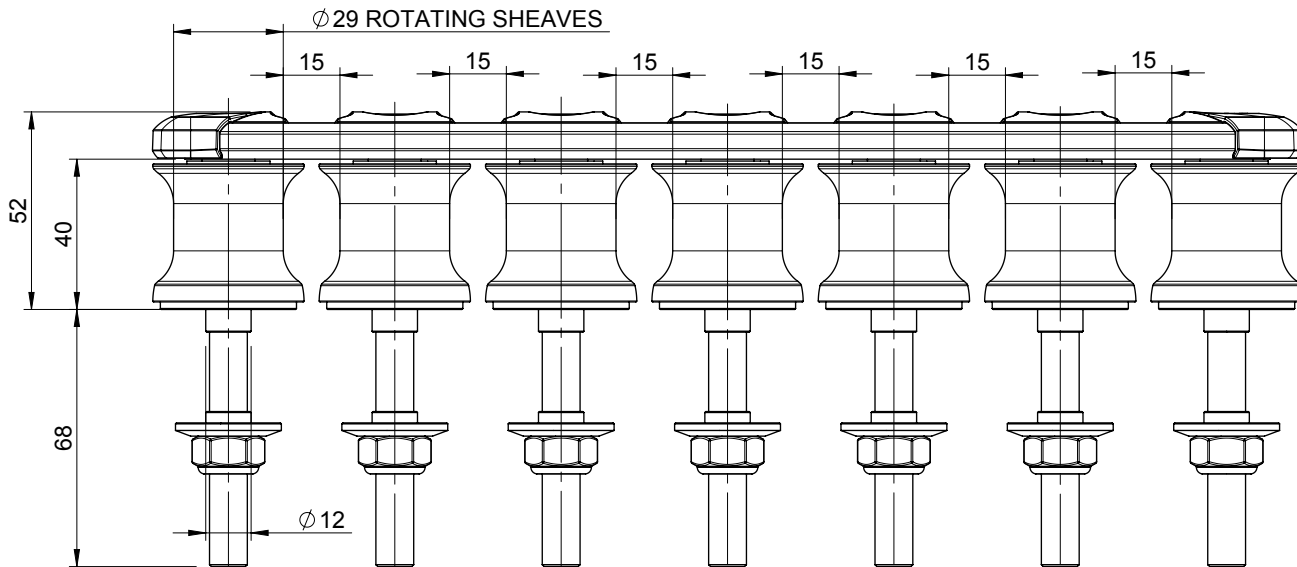
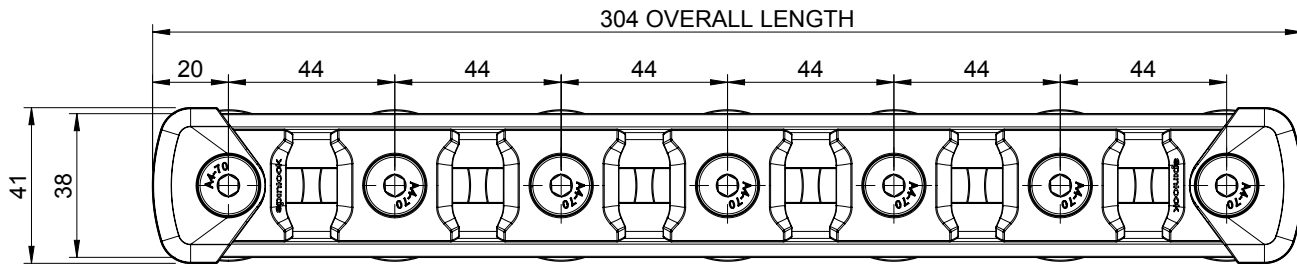
FASTENERS:

6 x M10

MAX LOAD:

SEE TABLE

**TSR30/6**

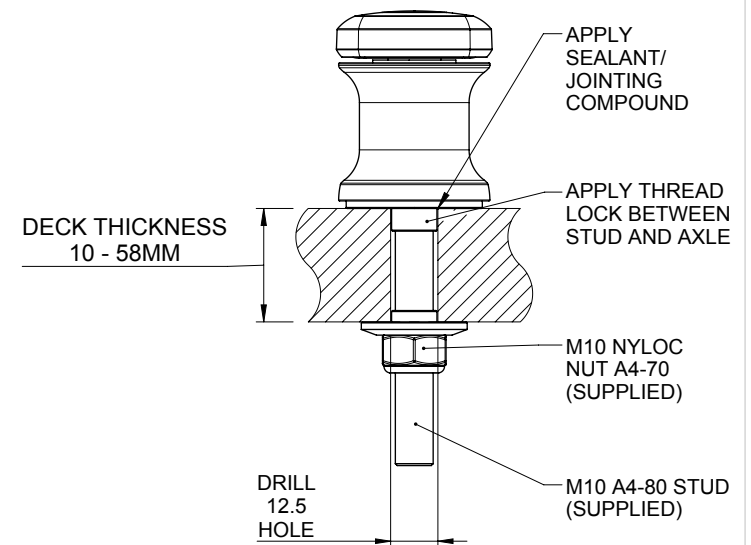
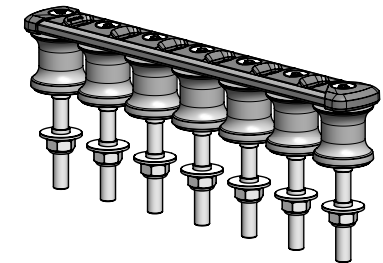
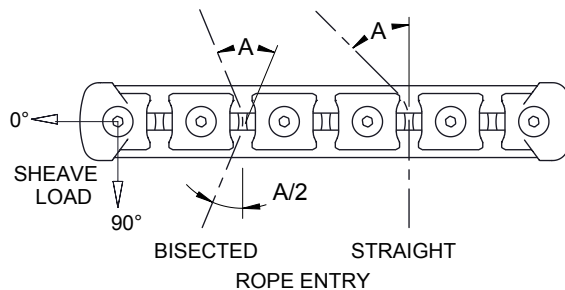


**MAXIMUM SHEAVE LOADS:**

LONGITUDINAL (0°)	2500kg
TRANSVERSE (90°)	1750kg
COMBINED	8750kg

**MAX ROPE TENSION (kg)**

DEFLECTION ANGLE 'A' (°)	BISECTED ENTRY	STRAIGHT ENTRY
15	9580	9410
30	4830	4510
45	3270	2820
60	2500	1960
90	1770	1240



**SHEAVE SPACING:**

STANDARD SHEAVE SPACING SHOWN.  
CUSTOM SPACING AVAILABLE IN 1.0MM INCREMENTS.

**WEIGHT:**

1792g (INCLUDING FULL LENGTH STAINLESS STEEL DECK FIXINGS)  
TITANIUM OPTION AVAILABLE (1212g) - CONTACT SPINLOCK FOR MORE INFORMATION.

**INSTALLATION:**

MOUNTING SURFACE MUST BE SUFFICIENTLY STRONG AND STIFF TO WITHSTAND COMPRESSIVE AND SHEAR FORCES EXERTED BY SHEAVE LOADING

**spinlock**  
BE ADVENTURE-PROOF



**WARNING:**  
IF USING AS TEMPLATE, ENSURE PRINTER SETTINGS ARE ADJUSTED TO ACCOUNT FOR THE DRAWING SCALE AND ALWAYS CHECK DIMENSIONS.



**COPYRIGHT:**  
THIS DRAWING IS PROTECTED BY COPYRIGHT. ANY USE IS FORBIDDEN WITHOUT THE WRITTEN CONSENT OF SPINLOCK.

ALL DIMENSIONS IN MM

SCALE

1:2

PAGE SIZE  
(297 x 210)

A4

DATE:

OCT17

LINE SIZE:

Ø15 MAX

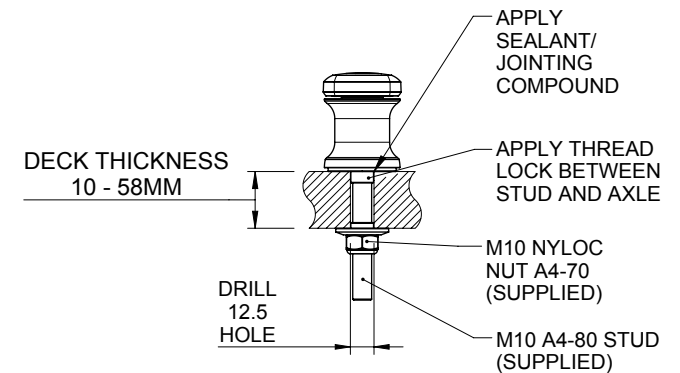
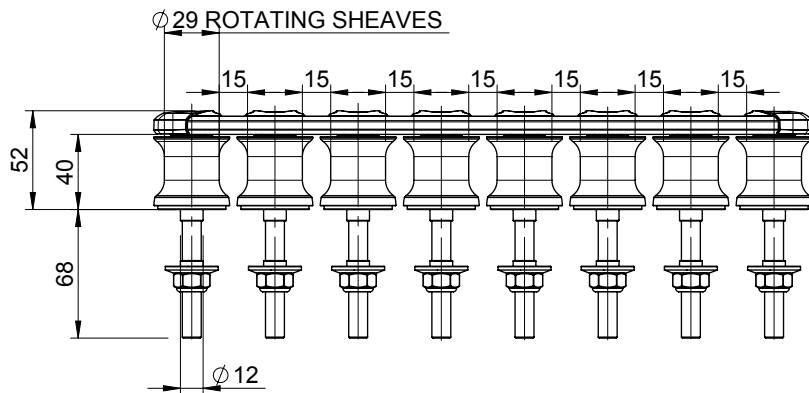
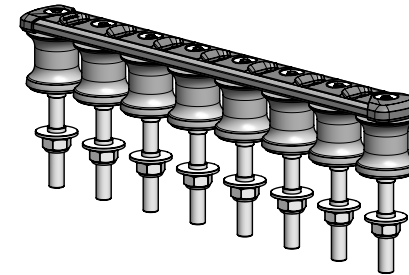
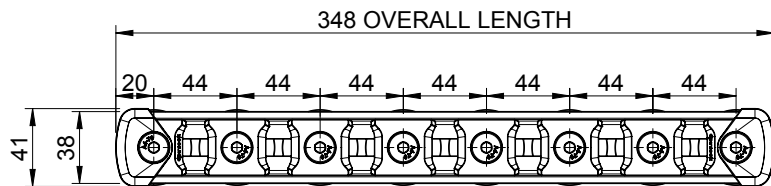
FASTENERS:

7 x M10

MAX LOAD:

SEE TABLE

**TSR30/7**

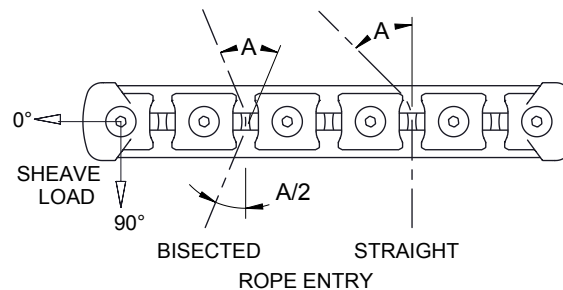


**MAXIMUM SHEAVE LOADS:**

LONGITUDINAL (0°)	2500kg
TRANSVERSE (90°)	1750kg
COMBINED	10000kg

**MAX ROPE TENSION (kg)**

DEFLECTION ANGLE 'A' (°)	BISECTED ENTRY	STRAIGHT ENTRY
15	9580	9410
30	4830	4510
45	3270	2820
60	2500	1960
90	1770	1240



**SHEAVE SPACING:**

STANDARD SHEAVE SPACING SHOWN.  
CUSTOM SPACING AVAILABLE IN 1.0MM INCREMENTS.

**WEIGHT:**

2048g (INCLUDING FULL LENGTH STAINLESS STEEL DECK FIXINGS)  
TITANIUM OPTION AVAILABLE (1386g) - CONTACT SPINLOCK FOR MORE INFORMATION.

**INSTALLATION:**

MOUNTING SURFACE MUST BE SUFFICIENTLY STRONG AND STIFF TO WITHSTAND COMPRESSIVE AND SHEAR FORCES EXERTED BY SHEAVE LOADING

**spinlock**  
BE ADVENTURE-PROOF



**WARNING:**  
IF USING AS TEMPLATE, ENSURE PRINTER SETTINGS ARE ADJUSTED TO ACCOUNT FOR THE DRAWING SCALE AND **ALWAYS** CHECK DIMENSIONS.



**COPYRIGHT:**  
THIS DRAWING IS PROTECTED BY COPYRIGHT. ANY USE IS FORBIDDEN WITHOUT THE WRITTEN CONSENT OF SPINLOCK.

ALL DIMENSIONS IN MM

SCALE

1:4

PAGE SIZE  
(297 x 210)

A4

DATE:

SEP17

LINE SIZE:

Ø15 MAX

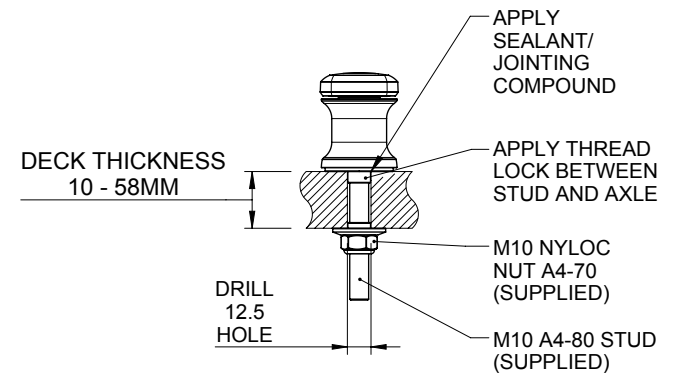
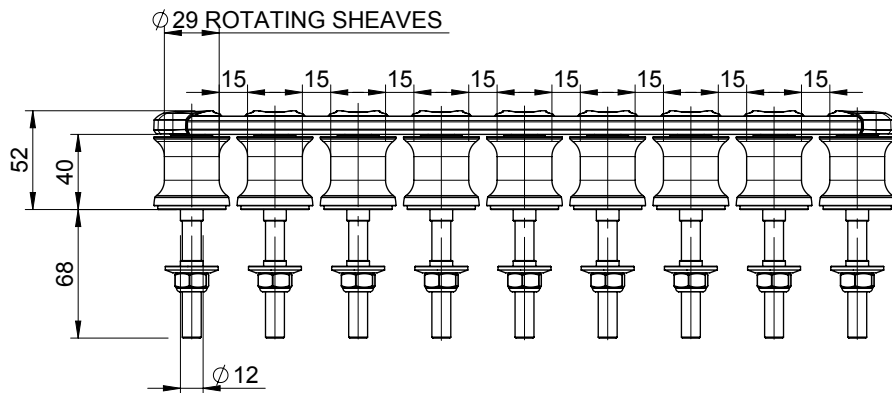
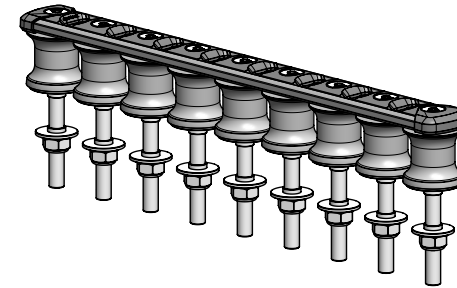
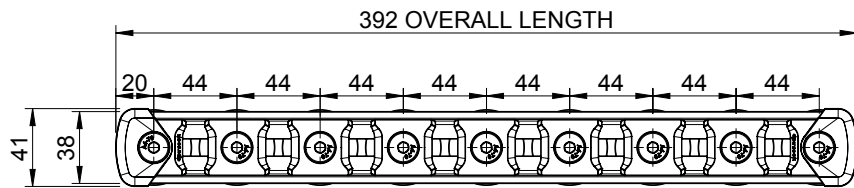
FASTENERS:

8 x M10

MAX LOAD:

SEE TABLE

**TSR30/8**

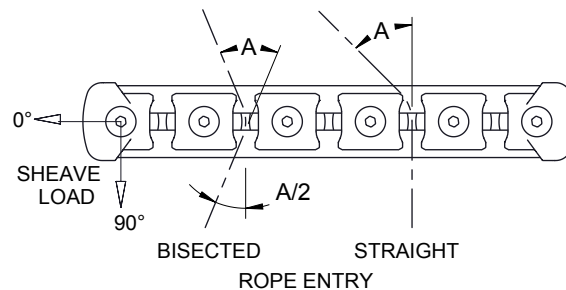


**MAXIMUM SHEAVE LOADS:**

LONGITUDINAL (0°)	2500kg
TRANSVERSE (90°)	1750kg
COMBINED	11250kg

**MAX ROPE TENSION (kg)**

DEFLECTION ANGLE 'A' (°)	BISECTED ENTRY	STRAIGHT ENTRY
15	9580	9410
30	4830	4510
45	3270	2820
60	2500	1960
90	1770	1240



**SHEAVE SPACING:**

STANDARD SHEAVE SPACING SHOWN.  
CUSTOM SPACING AVAILABLE IN 1.0MM INCREMENTS.

**WEIGHT:**

2305g (INCLUDING FULL LENGTH STAINLESS STEEL DECK FIXINGS)  
TITANIUM OPTION AVAILABLE (1559g) - CONTACT SPINLOCK FOR MORE INFORMATION.

**INSTALLATION:**

MOUNTING SURFACE MUST BE SUFFICIENTLY STRONG AND STIFF TO WITHSTAND COMPRESSIVE AND SHEAR FORCES EXERTED BY SHEAVE LOADING

**spinlock**  
BE ADVENTURE-PROOF



**WARNING:**  
IF USING AS TEMPLATE, ENSURE PRINTER SETTINGS ARE ADJUSTED TO ACCOUNT FOR THE DRAWING SCALE AND ALWAYS CHECK DIMENSIONS.



**COPYRIGHT:**  
THIS DRAWING IS PROTECTED BY COPYRIGHT. ANY USE IS FORBIDDEN WITHOUT THE WRITTEN CONSENT OF SPINLOCK.

ALL DIMENSIONS IN MM

SCALE

1:4

PAGE SIZE  
(297 x 210)

A4

DATE:

SEP17

LINE SIZE:

Ø15 MAX

FASTENERS:

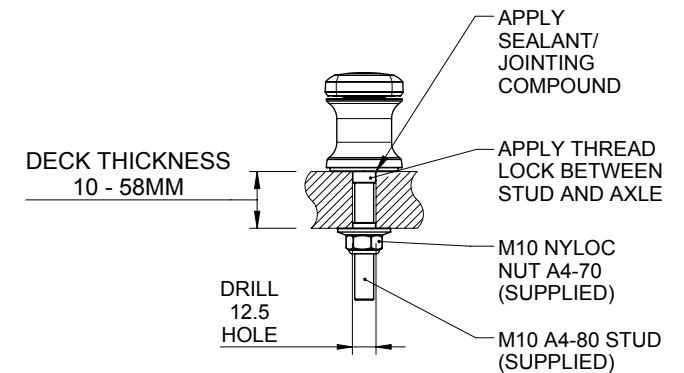
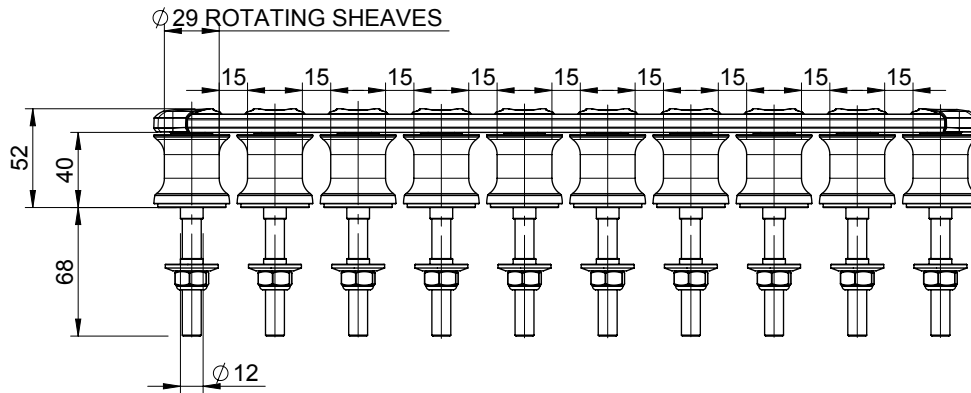
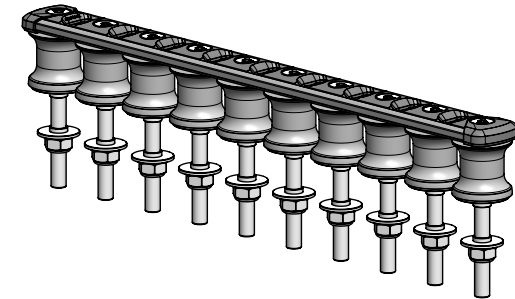
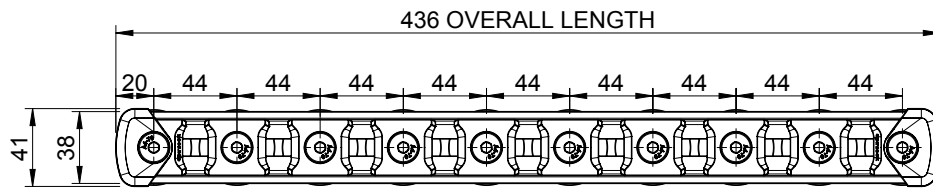
9 x M10

MAX LOAD:

SEE TABLE

**TSR30/9**



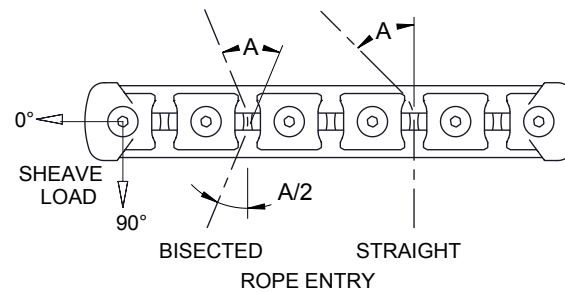


**MAXIMUM SHEAVE LOADS:**

LONGITUDINAL (0°)	2500kg
TRANSVERSE (90°)	1750kg
COMBINED	12500kg

**MAX ROPE TENSION (kg)**

DEFLECTION ANGLE 'A' (°)	BISECTED ENTRY	STRAIGHT ENTRY
15	9580	9410
30	4830	4510
45	3270	2820
60	2500	1960
90	1770	1240



**SHEAVE SPACING:**

STANDARD SHEAVE SPACING SHOWN.  
CUSTOM SPACING AVAILABLE IN 1.0MM INCREMENTS.

**WEIGHT:**

2561g (INCLUDING FULL LENGTH STAINLESS STEEL DECK FIXINGS)  
TITANIUM OPTION AVAILABLE (1733g) - CONTACT SPINLOCK FOR MORE INFORMATION.

**INSTALLATION:**

MOUNTING SURFACE MUST BE SUFFICIENTLY STRONG AND STIFF TO WITHSTAND COMPRESSIVE AND SHEAR FORCES EXERTED BY SHEAVE LOADING

**spinlock**  
BE ADVENTURE-PROOF



**WARNING:**  
IF USING AS TEMPLATE, ENSURE PRINTER SETTINGS ARE ADJUSTED TO ACCOUNT FOR THE DRAWING SCALE AND **ALWAYS** CHECK DIMENSIONS.



**COPYRIGHT:**  
THIS DRAWING IS PROTECTED BY COPYRIGHT. ANY USE IS FORBIDDEN WITHOUT THE WRITTEN CONSENT OF SPINLOCK.

ALL DIMENSIONS IN MM

SCALE

1:4

PAGE SIZE  
(297 x 210)

A4

DATE:

SEP17

LINE SIZE:

Ø15 MAX

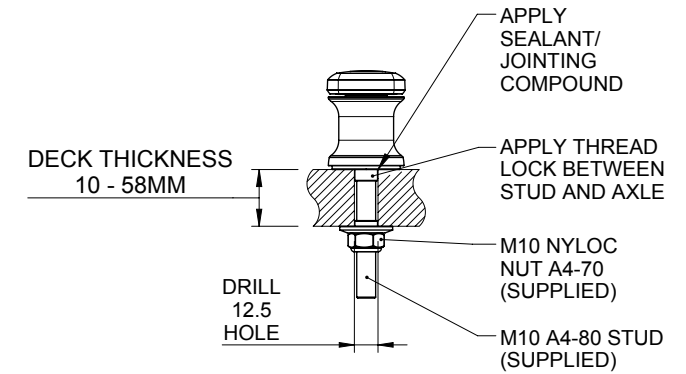
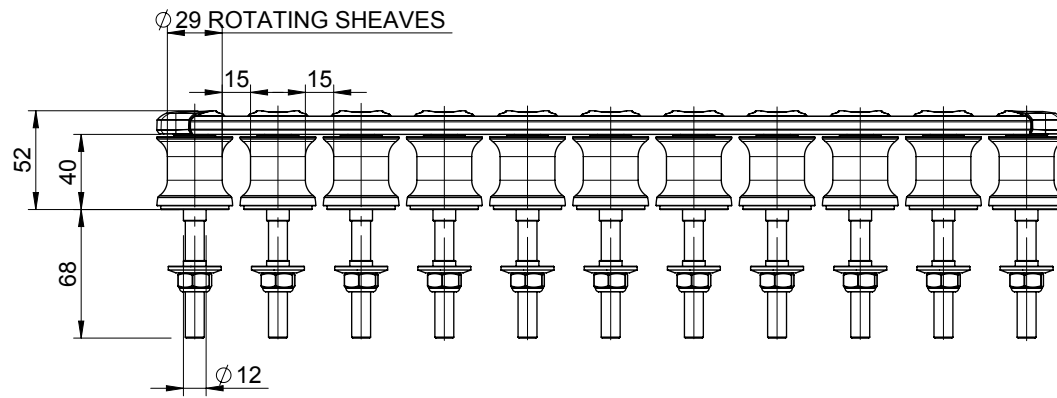
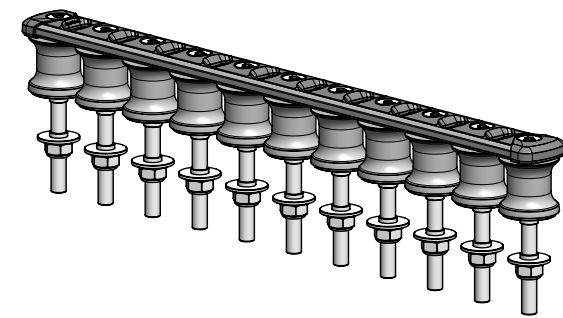
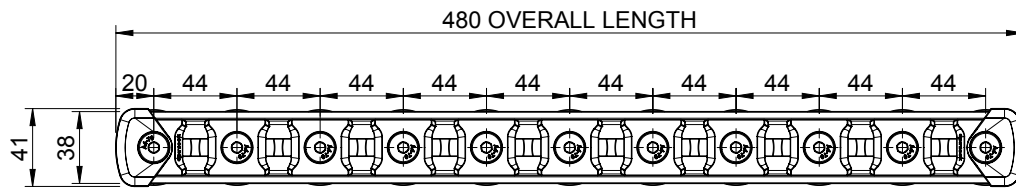
FASTENERS:

10 x M10

MAX LOAD:

SEE TABLE

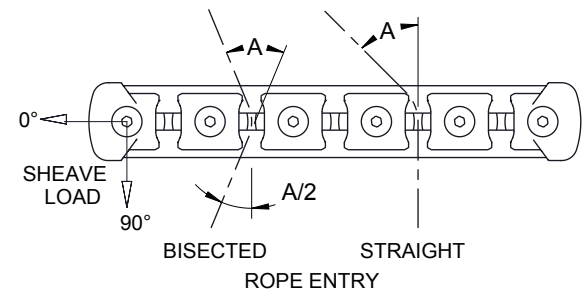
**TSR30/10**



**MAXIMUM SHEAVE LOADS:**  
 LONGITUDINAL (0°) 2500kg  
 TRANSVERSE (90°) 1750kg  
 COMBINED 13750kg

**MAX ROPE TENSION (kg)**

DEFLECTION ANGLE 'A' (°)	BISECTED ENTRY	STRAIGHT ENTRY
15	9580	9410
30	4830	4510
45	3270	2820
60	2500	1960
90	1770	1240



**SHEAVE SPACING:**  
 STANDARD SHEAVE SPACING SHOWN.  
 CUSTOM SPACING AVAILABLE IN 1.0MM INCREMENTS.

**WEIGHT:**  
 2818g (INCLUDING FULL LENGTH STAINLESS STEEL DECK FIXINGS)  
 TITANIUM OPTION AVAILABLE (1906g) - CONTACT SPINLOCK FOR MORE INFORMATION.

**INSTALLATION:**  
 MOUNTING SURFACE MUST BE SUFFICIENTLY STRONG AND STIFF TO WITHSTAND COMPRESSIVE AND SHEAR FORCES EXERTED BY SHEAVE LOADING

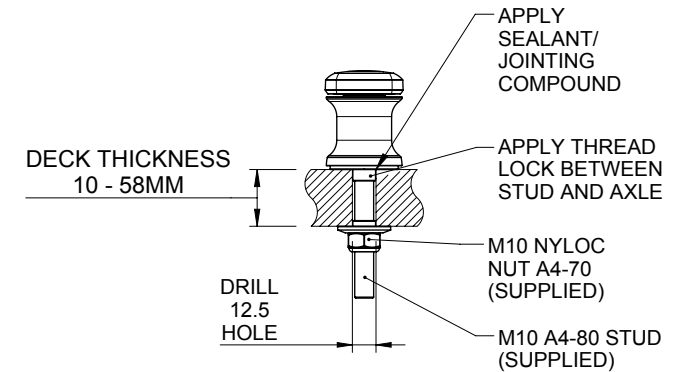
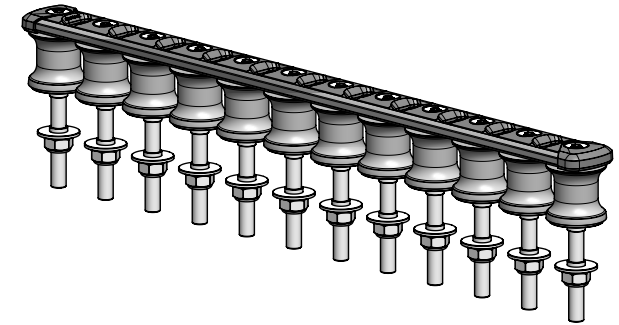
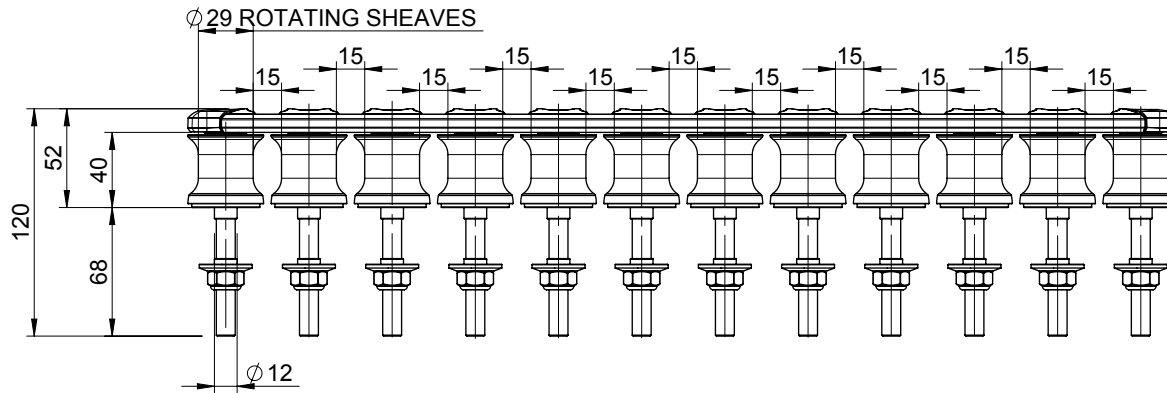
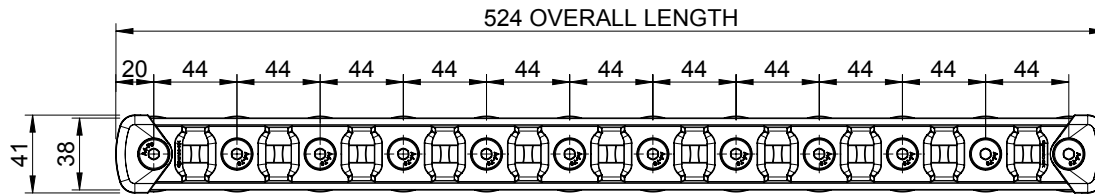
**spinlock**  
 BE ADVENTURE-PROOF

**WARNING:**  
 IF USING AS TEMPLATE, ENSURE PRINTER SETTINGS ARE ADJUSTED TO ACCOUNT FOR THE DRAWING SCALE AND **ALWAYS** CHECK DIMENSIONS.  
**COPYRIGHT:**  
 THIS DRAWING IS PROTECTED BY COPYRIGHT. ANY USE IS FORBIDDEN WITHOUT THE WRITTEN CONSENT OF SPINLOCK.

ALL DIMENSIONS IN MM  
 SCALE 1:4  
 PAGE SIZE (297 x 210)  
 A4

DATE:	SEP17
LINE SIZE:	Ø15 MAX
FASTENERS:	11 x M10
MAX LOAD:	SEE TABLE

**TSR30/11**

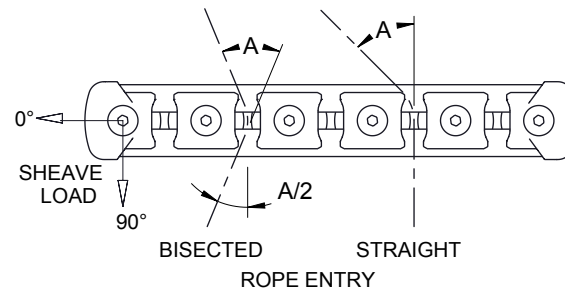


**MAXIMUM SHEAVE LOADS:**

LONGITUDINAL (0°)	2500kg
TRANSVERSE (90°)	1750kg
COMBINED	15000kg

**MAX ROPE TENSION (kg)**

DEFLECTION ANGLE 'A' (°)	BISECTED ENTRY	STRAIGHT ENTRY
15	9580	9410
30	4830	4510
45	3270	2820
60	2500	1960
90	1770	1240



**SHEAVE SPACING:**

STANDARD SHEAVE SPACING SHOWN.  
CUSTOM SPACING AVAILABLE IN 1.0MM INCREMENTS.

**WEIGHT:**

3074g (INCLUDING FULL LENGTH STAINLESS STEEL DECK FIXINGS)  
TITANIUM OPTION AVAILABLE (2080g) - CONTACT SPINLOCK FOR MORE INFORMATION.

**INSTALLATION:**

MOUNTING SURFACE MUST BE SUFFICIENTLY STRONG AND STIFF TO WITHSTAND COMPRESSIVE AND SHEAR FORCES EXERTED BY SHEAVE LOADING

**spinlock**  
BE ADVENTURE-PROOF



**WARNING:**  
IF USING AS TEMPLATE, ENSURE PRINTER SETTINGS ARE ADJUSTED TO ACCOUNT FOR THE DRAWING SCALE AND **ALWAYS** CHECK DIMENSIONS.



**COPYRIGHT:**  
THIS DRAWING IS PROTECTED BY COPYRIGHT. ANY USE IS FORBIDDEN WITHOUT THE WRITTEN CONSENT OF SPINLOCK.

ALL DIMENSIONS IN MM

SCALE

1:4

PAGE SIZE  
(297 x 210)

A4

DATE:

SEP17

LINE SIZE:

Ø15 MAX

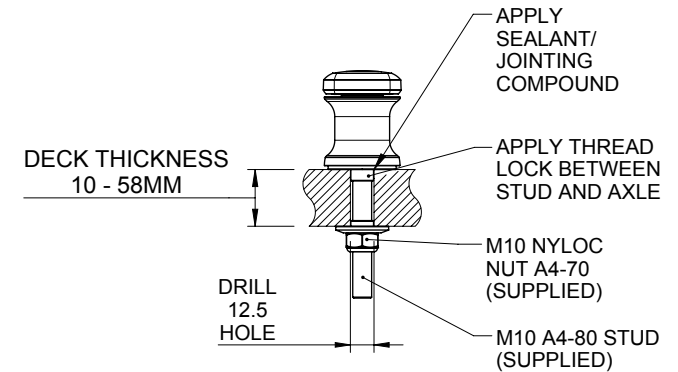
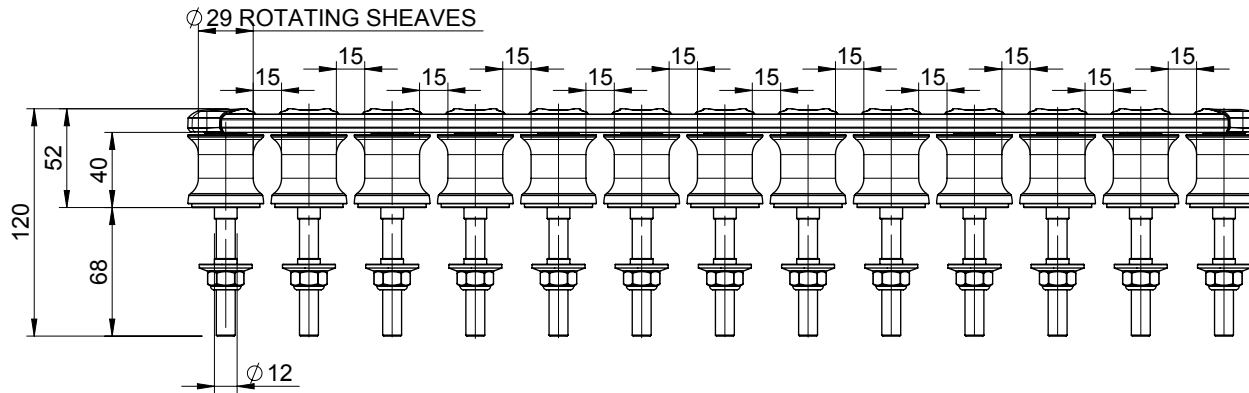
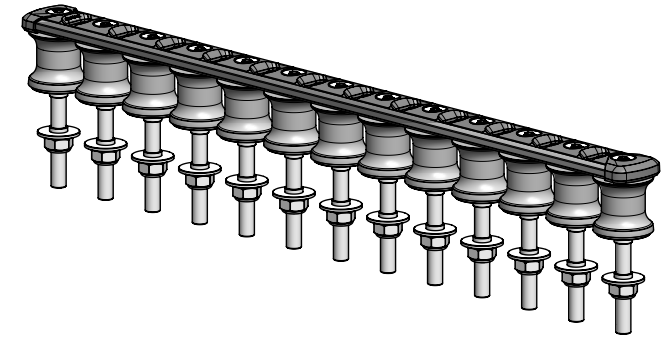
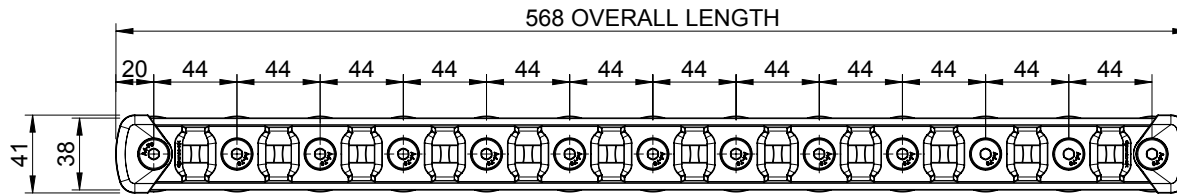
FASTENERS:

12 x M10

MAX LOAD:

SEE TABLE

**TSR30/12**

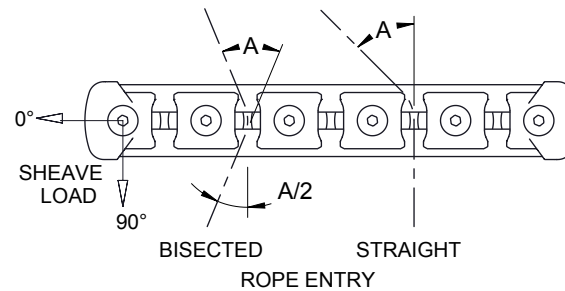


**MAXIMUM SHEAVE LOADS:**

LONGITUDINAL (0°)	2500kg
TRANSVERSE (90°)	1750kg
COMBINED	16250kg

**MAX ROPE TENSION (kg)**

DEFLECTION ANGLE 'A' (°)	BISECTED ENTRY	STRAIGHT ENTRY
15	9580	9410
30	4830	4510
45	3270	2820
60	2500	1960
90	1770	1240



**SHEAVE SPACING:**

STANDARD SHEAVE SPACING SHOWN.  
CUSTOM SPACING AVAILABLE IN 1.0MM INCREMENTS.

**WEIGHT:**

3331g (INCLUDING FULL LENGTH STAINLESS STEEL DECK FIXINGS)  
TITANIUM OPTION AVAILABLE (2254g) - CONTACT SPINLOCK FOR MORE INFORMATION.

**INSTALLATION:**

MOUNTING SURFACE MUST BE SUFFICIENTLY STRONG AND STIFF TO WITHSTAND COMPRESSIVE AND SHEAR FORCES EXERTED BY SHEAVE LOADING

**spinlock**  
BE ADVENTURE-PROOF



**WARNING:**  
IF USING AS TEMPLATE, ENSURE PRINTER SETTINGS ARE ADJUSTED TO ACCOUNT FOR THE DRAWING SCALE AND **ALWAYS** CHECK DIMENSIONS.



**COPYRIGHT:**  
THIS DRAWING IS PROTECTED BY COPYRIGHT. ANY USE IS FORBIDDEN WITHOUT THE WRITTEN CONSENT OF SPINLOCK.

ALL DIMENSIONS IN MM

SCALE

1:4

PAGE SIZE  
(297 x 210)

A4

DATE:

SEP17

LINE SIZE:

Ø15 MAX

FASTENERS:

13 x M10

MAX LOAD:

SEE TABLE

**TSR30/13**