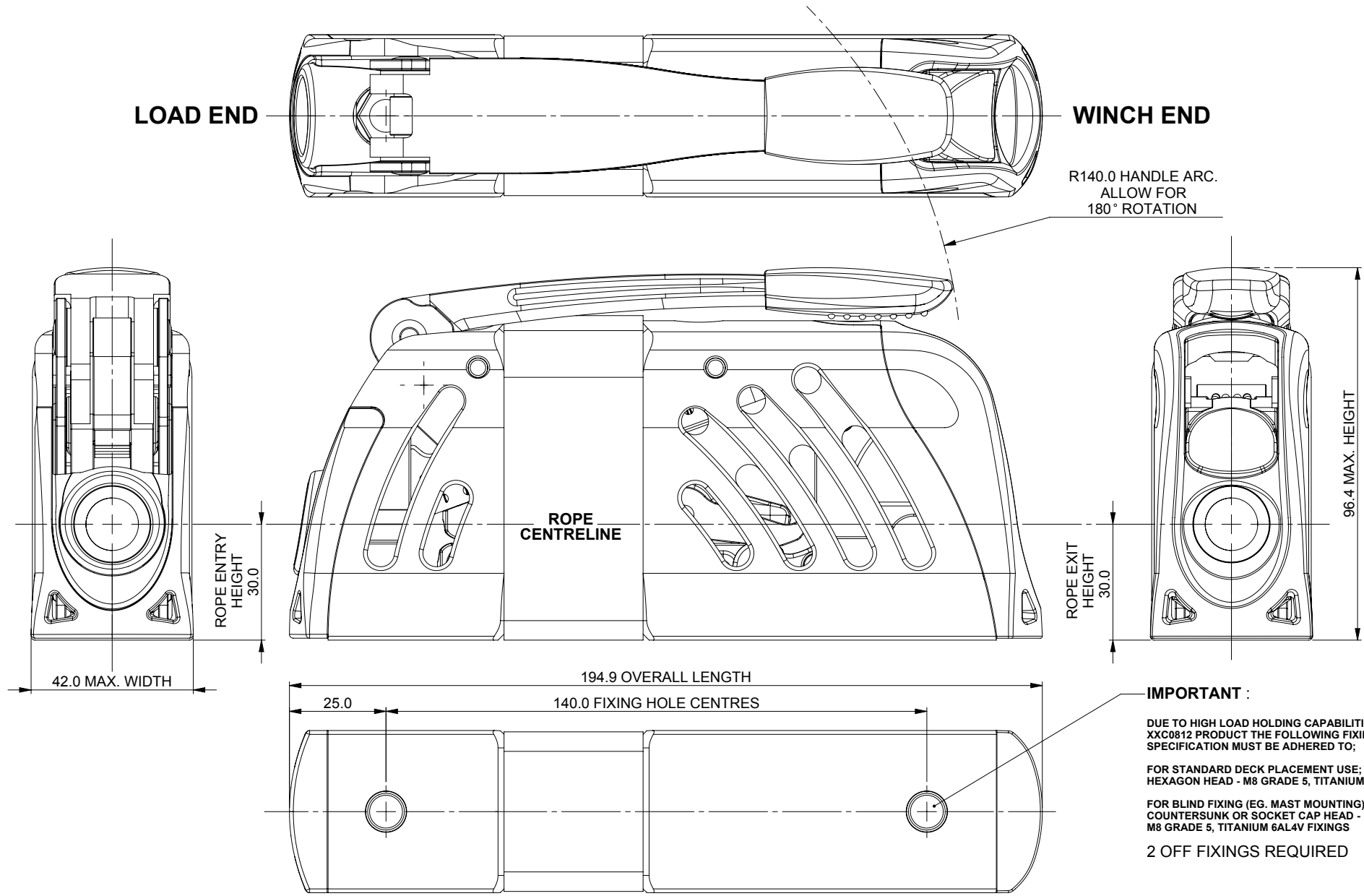


REFERENCE DRAWING

THIS DRAWING IS PROTECTED BY COPYRIGHT. ANY USE IS FORBIDDEN WITHOUT THE WRITTEN CONSENT OF SPINLOCK.



IMPORTANT :

DUE TO HIGH LOAD HOLDING CAPABILITIES OF XXC0812 PRODUCT THE FOLLOWING FIXINGS SPECIFICATION MUST BE ADHERED TO;

FOR STANDARD DECK PLACEMENT USE; HEXAGON HEAD - M8 GRADE 5, TITANIUM 6AL4V FIXINGS

FOR BLIND FIXING (EG. MAST MOUNTING) USE; COUNTERSUNK OR SOCKET CAP HEAD - M8 GRADE 5, TITANIUM 6AL4V FIXINGS

2 OFF FIXINGS REQUIRED



SPINLOCK LTD, 41 BIRMINGHAM ROAD, COWES, PO31 7BH, UNITED KINGDOM

FOR MORE INFO - WWW.SPINLOCK.CO.UK

XXC0812 GA	
ALL DIMS IN mm UNLESS OTHERWISE STATED	
SCALE - 1:1 ISSUE DATE - 22/11/2010	A3