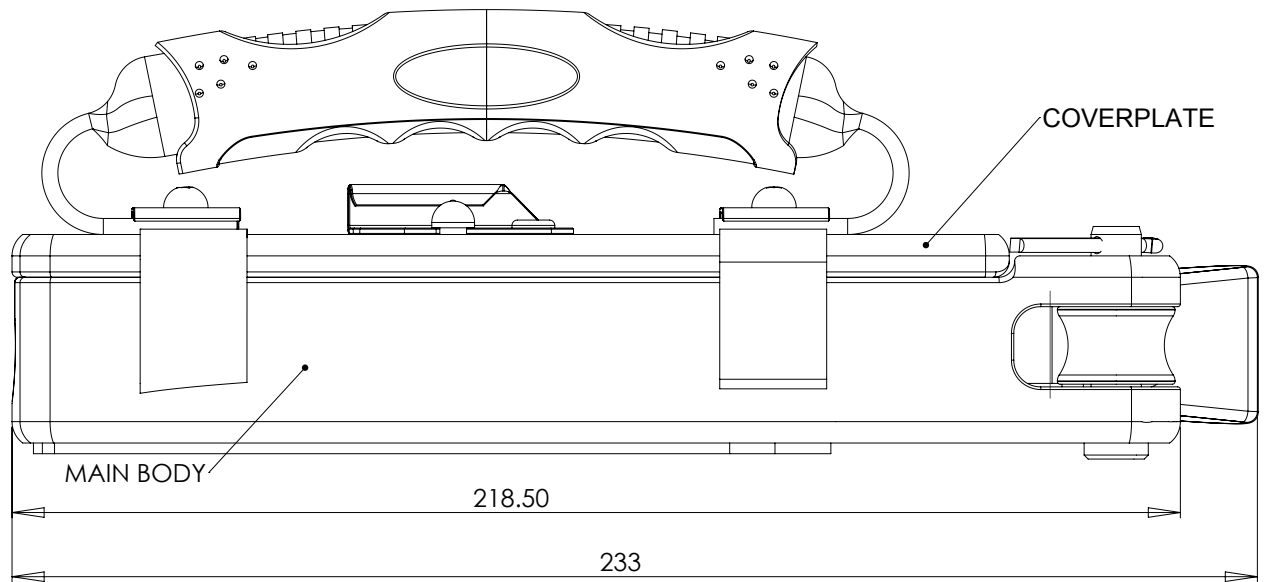


**spinlock**

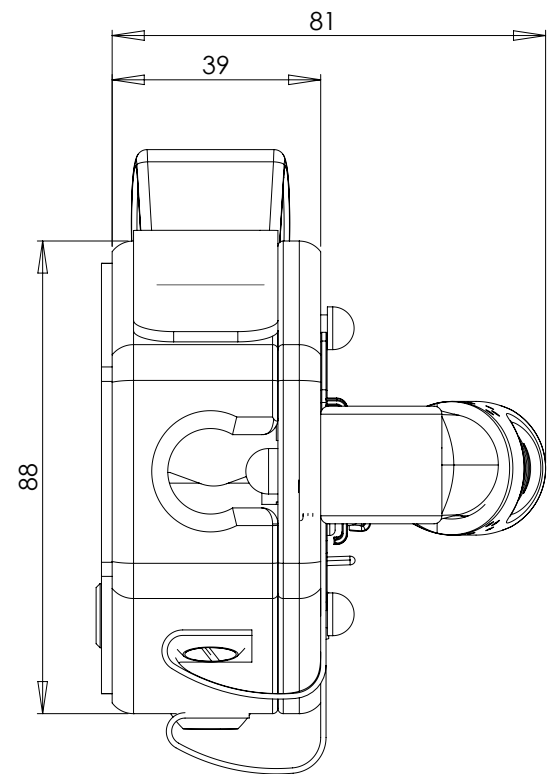
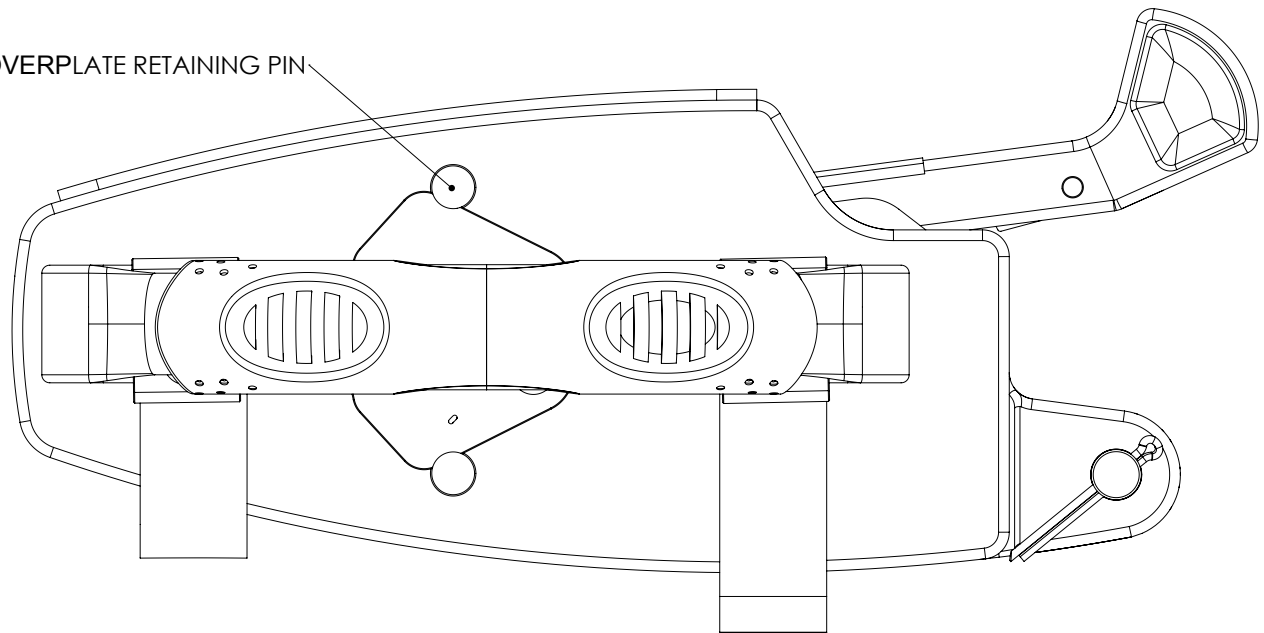
SPINLOCK REFERENCE

ZS1014 OPEN

SCALE 1:1  
ALL DIMENSIONS IN mm



COVERPLATE RETAINING PIN



ZS1014 OPEN GA  
OVERALL DIMENSIONS FOR BODY